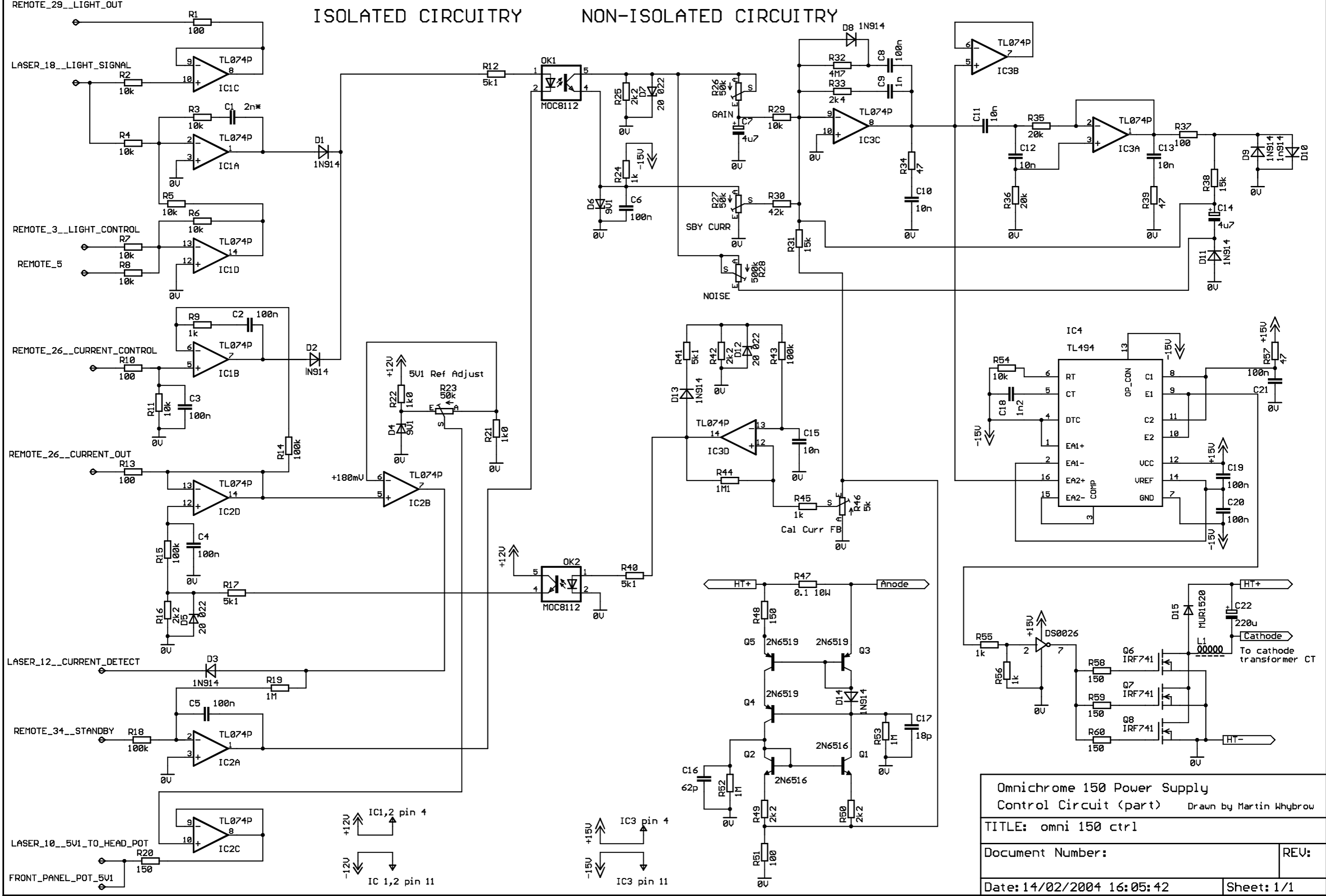


ISOLATED CIRCUITRY

NON-ISOLATED CIRCUITRY



Omnichrome 150 Power Supply  
 Control Circuit (part) Drawn by Martin Whybrow  
 TITLE: omni 150 ctrl  
 Document Number: \_\_\_\_\_ REV: \_\_\_\_\_  
 Date: 14/02/2004 16:05:42 Sheet: 1/1