

Original Instructions

IMPORTANT

READ CAREFULLY BEFORE USE

KEEP FOR FUTURE REFERENCE

European Union Compliance Statement

Information on Disposal for Users of Waste Electrical & Electronic Equipment



This symbol on the product or on its packaging indicates that used electrical and electronic products should not be mixed with unsorted municipal waste. For proper treatment, it is your responsibility to dispose of your waste equipment by arranging to return it to designated collection points.

Disposing of this product correctly will help save valuable resources and prevent any potential negative effects on human health and the environment, which could otherwise arise from inappropriate waste handling.

To return your used device, please use the return and collection systems or contact the retailer where the

product was purchased, which is free of charge, please contact your local authority for further details of your nearest designated collection point.

Penalties may be applicable for incorrect disposal of this waste, in accordance with your national legislation.

Restriction of the use of certain hazardous substances (RoHS) Directive

Ecovacs Home Service Robotics Co., Ltd. hereby declares the whole product including parts (cables, cords, and so on) meets the requirements of RoHS Directive 2011/65/EU and amendment Commission Delegated Directive (EU) 2015/863 on the restriction of the use of certain hazardous substances in electrical and electronic equipment ("RoHS recast" or "RoHS 2.0").

Radio Equipment Directive

Ecovacs Home Service Robotics Co., Ltd. hereby declares that the product listed in this section comply with the essential requirements and other relevant provisions of the Radio Equipment Directive 2014/53/EU.

Europe Authorised Representative:



Ecovacs Home Service Robotics Co., Ltd. hereby declares that the product comply with the essential requirements and other relevant provisions of the RoHS

Directive 2011/65/EU and amendment Commission Delegated Directive (EU) 2015/863, the Radio Equipment Directive 2014/53/EU and the Machinery Directive 2006/42/EC

The declaration of conformity can be viewed at the following address: <https://www.ecovacs.com/global/compliance>.

UK Compliance Statement

Information on Disposal for Users of Waste Electrical & Electronic Equipment



This symbol on the product or on its packaging indicates that used electrical and electronic products should not be mixed with unsorted municipal waste. For proper treatment, it is your responsibility to dispose of your waste equipment by arranging to return it to designated collection points.

Disposing of this product correctly will help save valuable resources and prevent any potential negative effects on human health and the environment, which could otherwise arise from inappropriate waste handling.

To return your used device, please use the return and collection systems or contact the retailer where the product was purchased, which is free of charge, please contact your local authority for further details of your nearest designated collection point.

Penalties may be applicable for incorrect disposal of this waste, in accordance with your national legislation.

The Restriction of the Use of Certain Hazardous Substances in Electrical and Electronic Equipment Regulations 2012

Ecovacs Home Service Robotics Co., Ltd. hereby declares the whole product including parts (cables, cords, and soon) meets the requirements of The Restriction of the Use of Certain Hazardous Substances in Electrical and Electronic Equipment Regulations 2012.

Radio Equipment Regulations 2017

Ecovacs Home Service Robotics Co., Ltd. hereby declares that the product listed in this section comply with the essential

requirements and other relevant provisions of Radio Equipment Regulations 2017.

UK Authorised Representative:



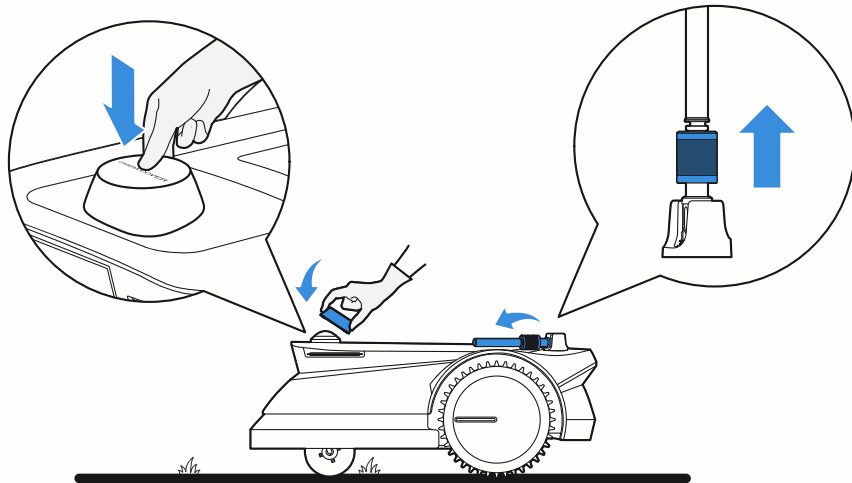
ECOVACS ROBOTICS UK LTD

The Old Surgery, 15a Station Road, Epping Essex,
England CM16 4HG United Kingdom

Ecovacs Home Service Robotics Co., Ltd. hereby declares that the product comply with the essential requirements and other relevant provisions of the Restriction of the Use of Certain Hazardous Substances in Electrical and Electronic Equipment Regulations 2012, the Radio Equipment Regulations 2017 and the Supply of Machinery (Safety) Regulations 2008.

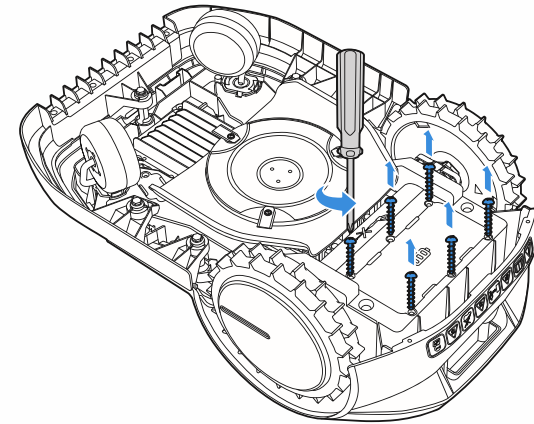
⚠ TIPS BEFORE OPERATION:

- PLEASE WEAR GLOVES BEFORE INSTALLATION TO PREVENT THE BLADE FROM SCRATCHING YOUR HANDS.
- POWER OFF GOAT.
- COVER THE PANORAMIC CAMERA. PULL THE NUT UPWARD AND TURN IT COUNTERCLOCKWISE TO LAY SIGNAL RECEIVER DOWN.
- GENTLY TURN GOAT OVER ON A SOFT SURFACE.

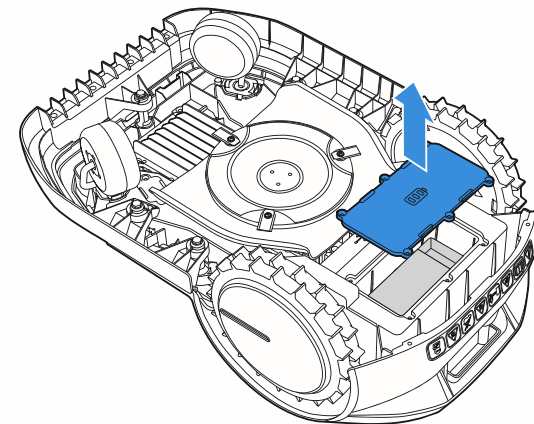


INSTALLATION

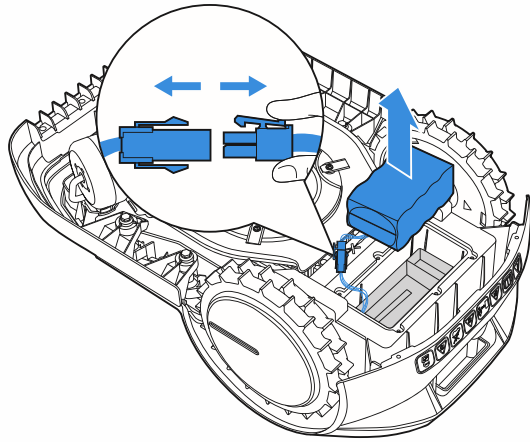
1. Loosen the 6 screws by using the screwdriver.



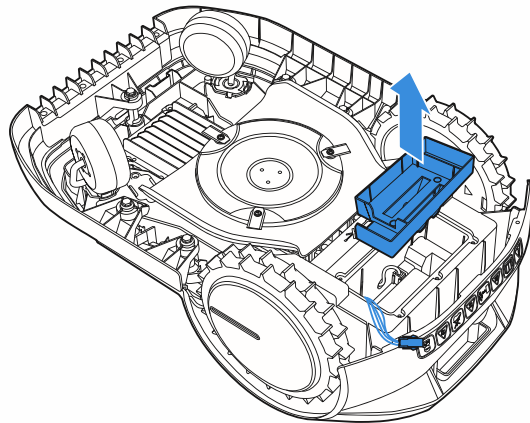
2. Pry the battery lid manually to open.



3. Unplug the battery connector, and take out the battery.



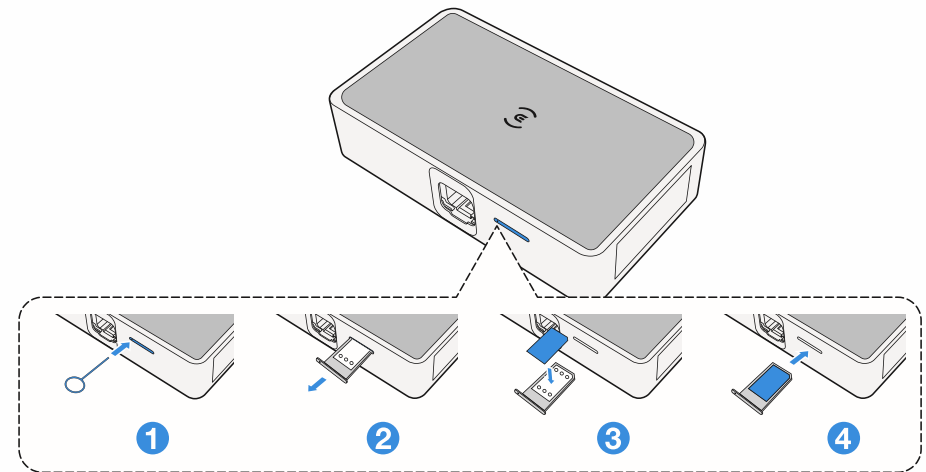
4. Put the cable which is connected to GOAT aside, and take out the battery tray.



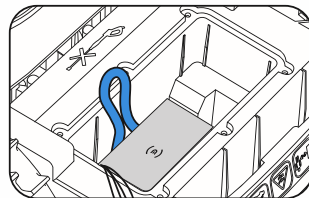
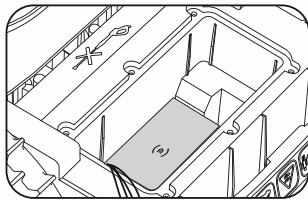
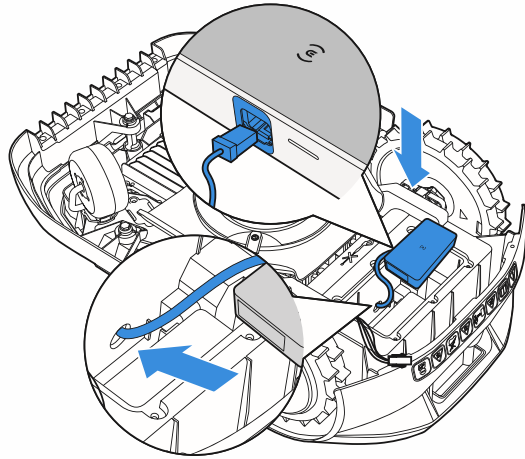
5. Take out the Cellular Module from the package and keep the icon "e" upward. Use the needle (supplied) to take out the card tray. With the metal surface facing up, put the SIM card into the card tray as shown in the picture before inserting the card tray into slot.

Note:

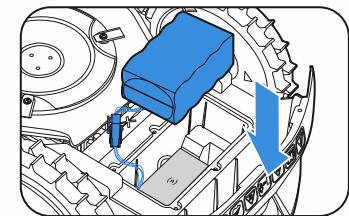
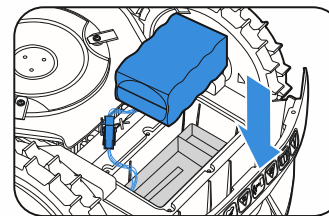
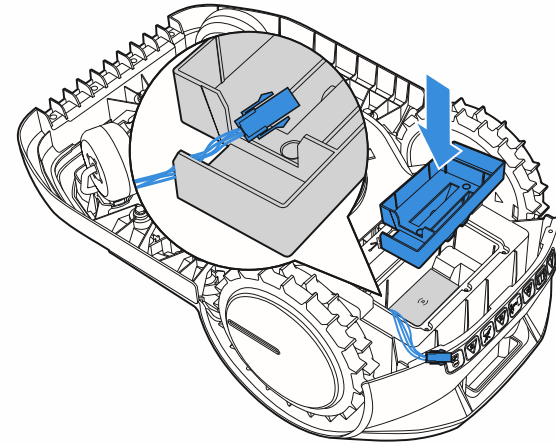
1. Unlock the PIN code before installation. Please check the PIN code by inserting the SIM card in a mobile phone, or consult the operator.
2. Some SIM cards need to set APN. Please confirm with the operator.
3. Follow the steps below to set up the APN: GOAT APP>Setting>Connection>Connection Module>SIM card>APN setting.



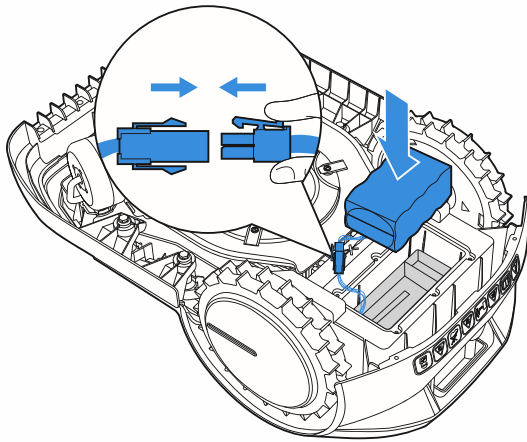
6. Pull out the Module connection cable. Plug the Module connector into Cellular Module, and put it back with the icon "e" upward as shown in the picture. Retract all the exposed cable. Ensure the Module connection cable is well placed.



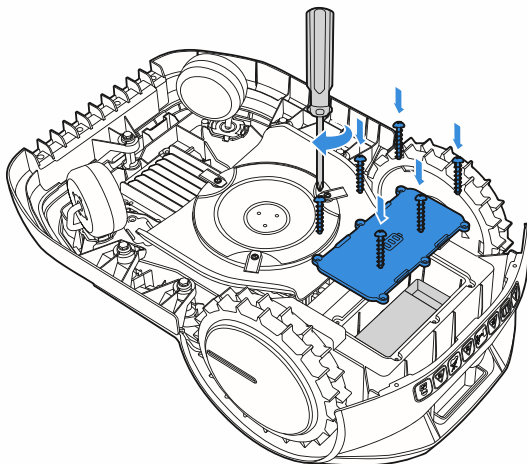
7. Install the battery tray. Put the cable which is connected to GOAT into slot. DO NOT directly put battery on top of the Module without the battery tray.



8. Plug the battery connector, organize the cable and install the battery.



9. Cover the lid with no cable under the Module and tighten the 6 screws. Slight lifting of the lid is normal. Go ahead and tighten the screws, it fits.



Model	FM2213A
Brand	ECOVACS
rated voltage	12V
Frequency bands	LTE-FDD: B1/B3/B7/B8/B20/B28A LTE-TDD: B38/B40 UMTS: B1/B8 GSM: EGSM900/1800 MHz
MAX. radio-frequency power	LTE: 23dBm±2.7dB UMTS: 23dBm±2.7dB GSM900: 33dBm±2.5dB GSM1800: 30dBm±2.5dB