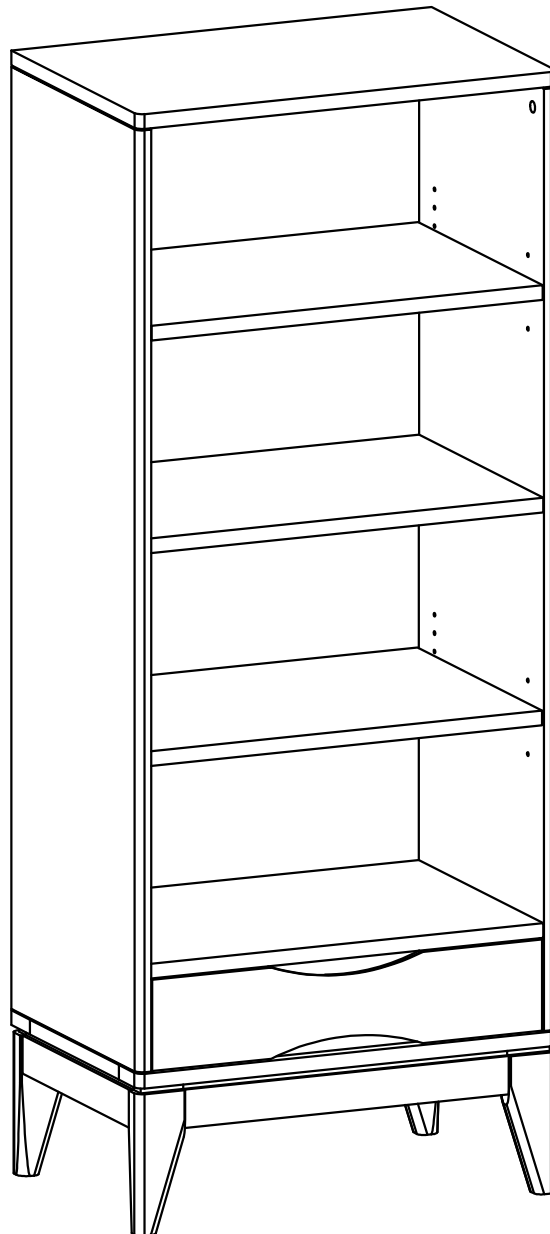
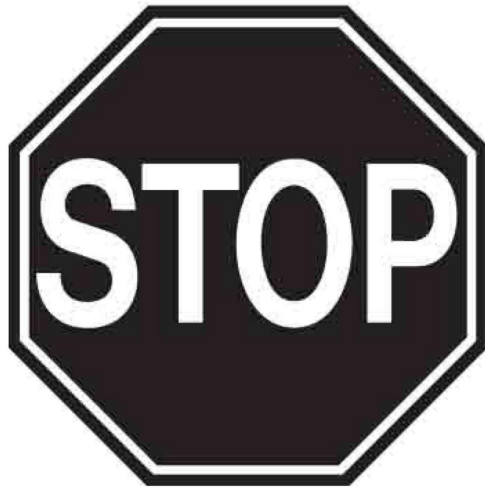


HARPER / PEARSON / THOMPSON

BOOKCASE WITH STORAGE

MODEL # 3AXCHRP-08





**FOR REPLACEMENT PARTS OR HELP WITH
ASSEMBLY PLEASE CONTACT US AT:**

simpli-home.com/customer-support

**PLEASE ENSURE TO HAVE THE MODEL #
FROM THE PACKAGING OR INSTRUCTION BOOKLET**

**TO RETURN THE PRODUCT:
PLEASE CONTACT THE RETAILER
WHERE THE ITEM WAS PURCHASED FROM**

SIMPLI[™]
H O M E

Wynden Hall[™]
HOME DECOR
brooklyn + max[™]

**ENTER
TO WIN**

**Upload an image of our furniture
in your home with a short review
to our facebook page for a chance to**

**Win up to \$3000 of
Simpli Home furniture!!!**

www.facebook.com/simplihomefurnishings



IMPORTANT : Please read this manual carefully before beginning assembly of this product. Keep this manual for future reference.

SAFETY INFORMATION

Identify all the parts and hardware. Do not discard of the packaging until you have checked that you have all of the parts and hardware required. Hardware package may have spare parts.

WARNING: This item contains small parts which can be swallowed by children and pets. Keep children and pets away during assembly. To avoid danger of suffocation, always keep plastic bags away from children and pets. We recommend that you assemble this unit on a carpeted floor to avoid scratches. If using power tools, set the tool to low torque to avoid damage.

May require 2 people for ease of assembly.

CARE and MAINTENANCE

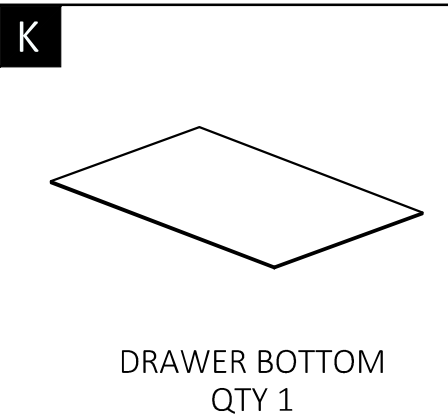
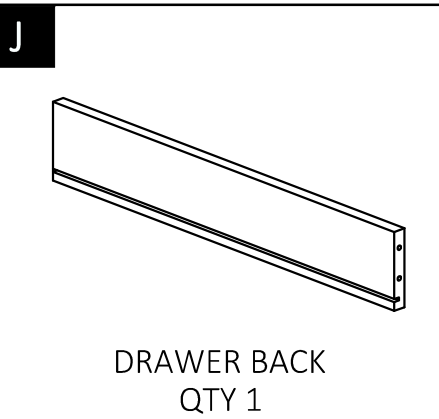
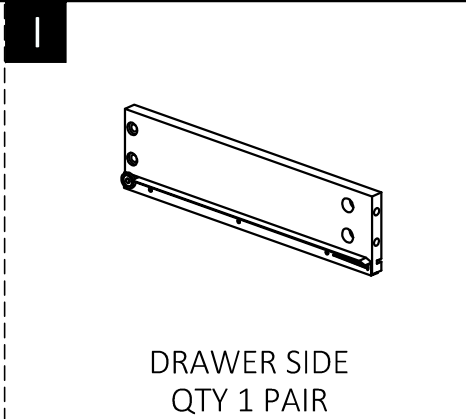
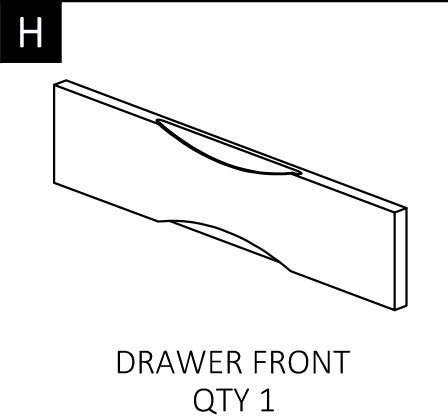
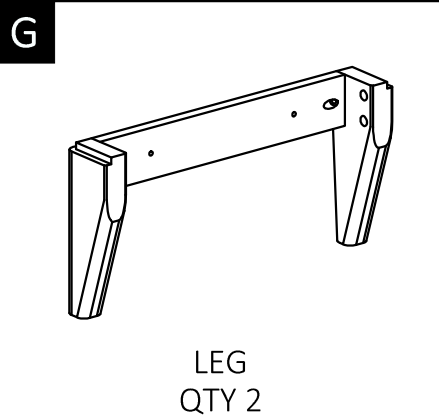
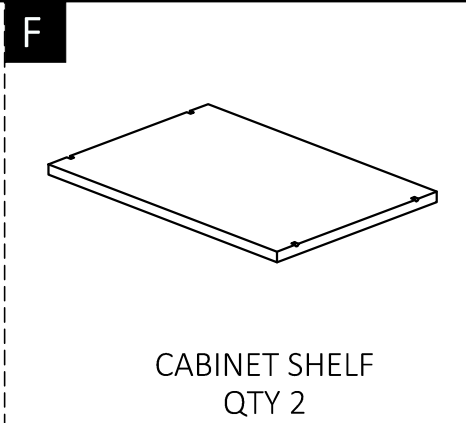
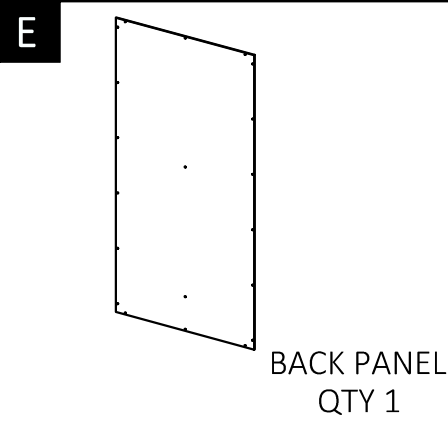
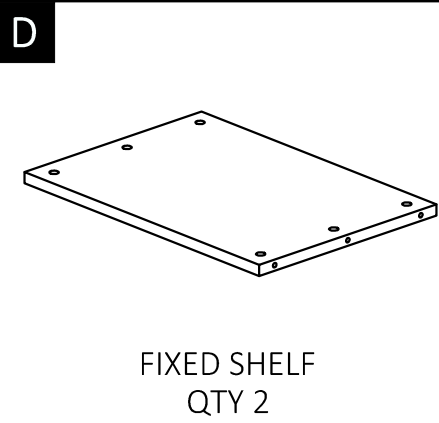
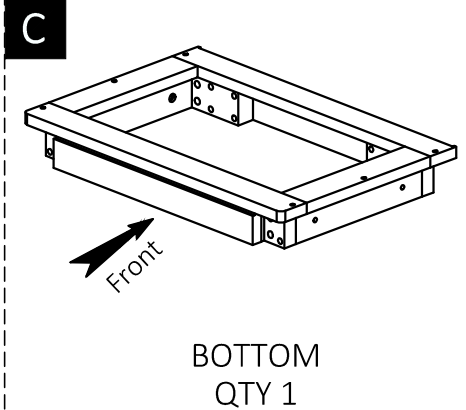
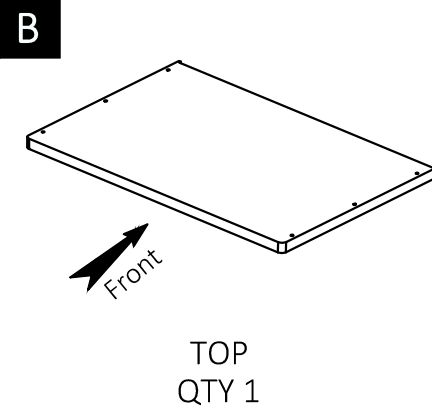
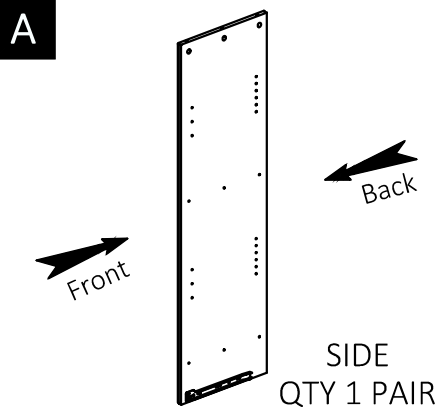
To clean, use a soft or slightly damp cloth, then wipe with a clean, dry cloth. Dust with soft dry cloth.

Do not use ammonia-based cleaning products, as they will damage the finish. Do not leave liquids or damp cloths on this furniture.

To avoid dulling of the finish, do not place furniture in direct sunlight.

Please inspect and tighten all screws or bolts on a regular basis to ensure proper performance and safety of your item.

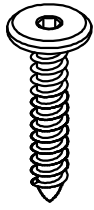
PART DESCRIPTION



NEED HELP? For help with assembly or if you are missing a part,
Please call customer service at 1-866-518-0120 ext. 262 (9 am to 4 pm EST)

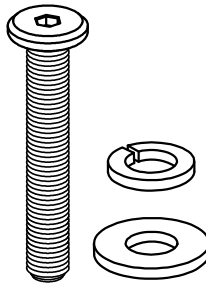
HARDWARE DESCRIPTION

1



ALLEN KEY SCREW
M6 X 30mm
QTY 14

2



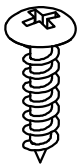
BOLTS AND WASHERS
M8 x 50 mm
QTY 8 SETS

3



ALLEN KEY
QTY 1

4



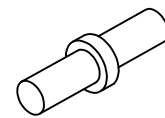
PHILLIPS SCREW
ROUND HEAD
M4 X 15mm
QTY 20

5



CAM LOCK PIN
CAM LOCK
QTY 22 SETS

6



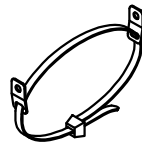
SHELF SUPPORT
QTY 12

7

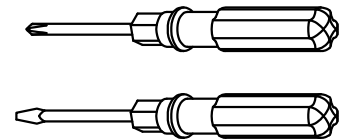


PLASTIC CAP
QTY 6

8

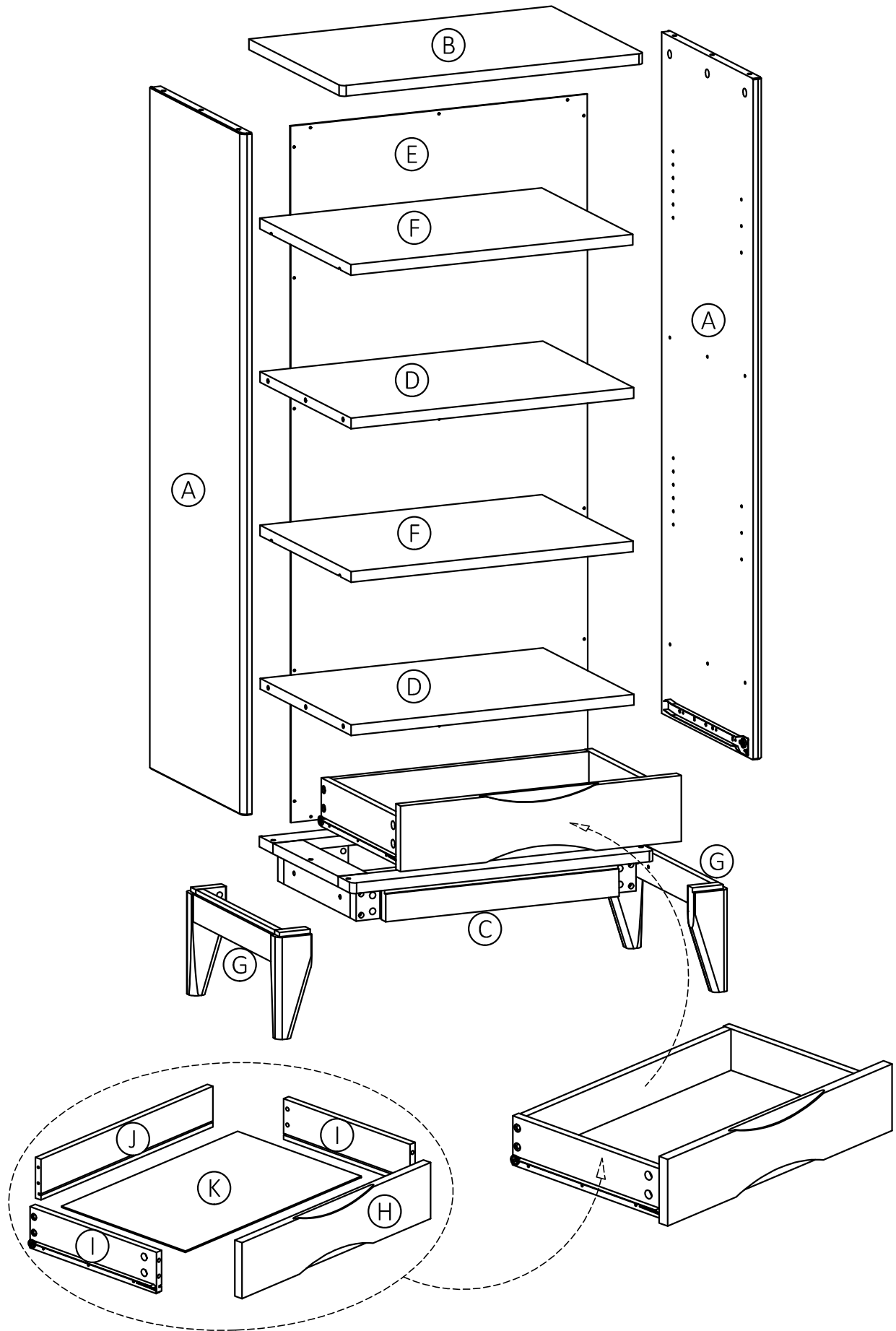


- a.  M4 X 25mm - QTY 1
 - b.  M4 X 15mm - QTY 1
 - c.  M4 X 25mm - QTY 1
- TIPPING RESTRAINT
QTY 1 SET

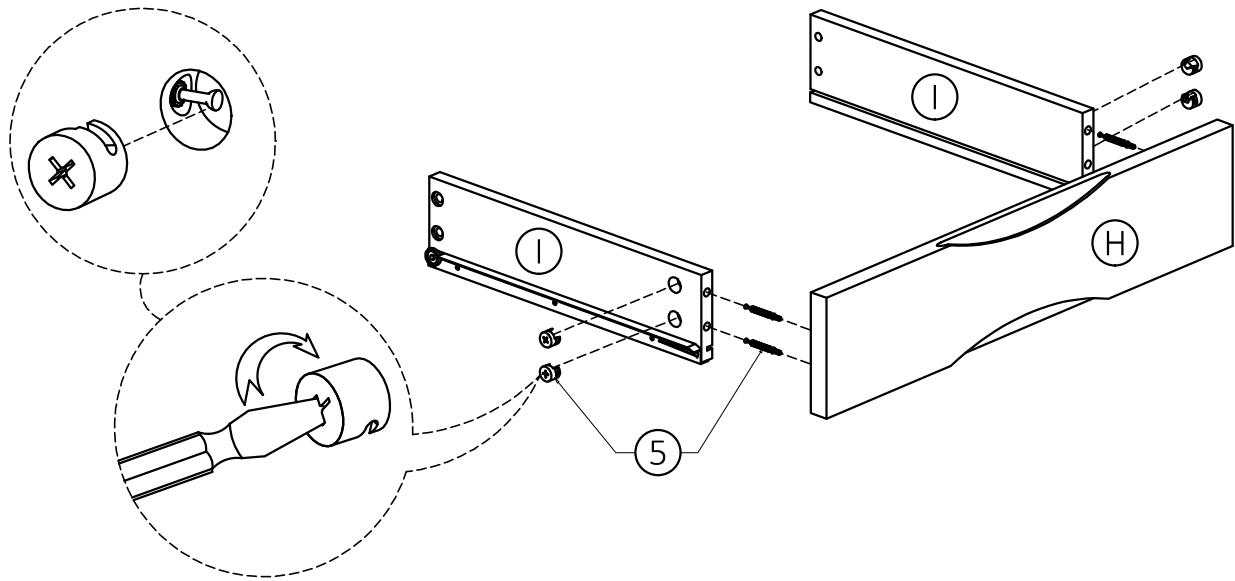


Required -
Flathead screwdriver
Phillips screwdriver
Not Included

NEED HELP? For help with assembly or if you are missing a part,
Please call customer service at 1-866-518-0120 ext. 262 (9 am to 4 pm EST)

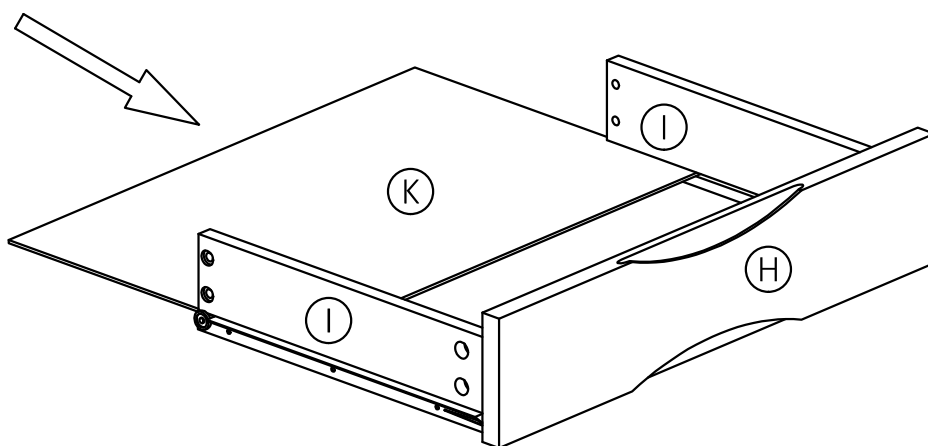


STEP-1



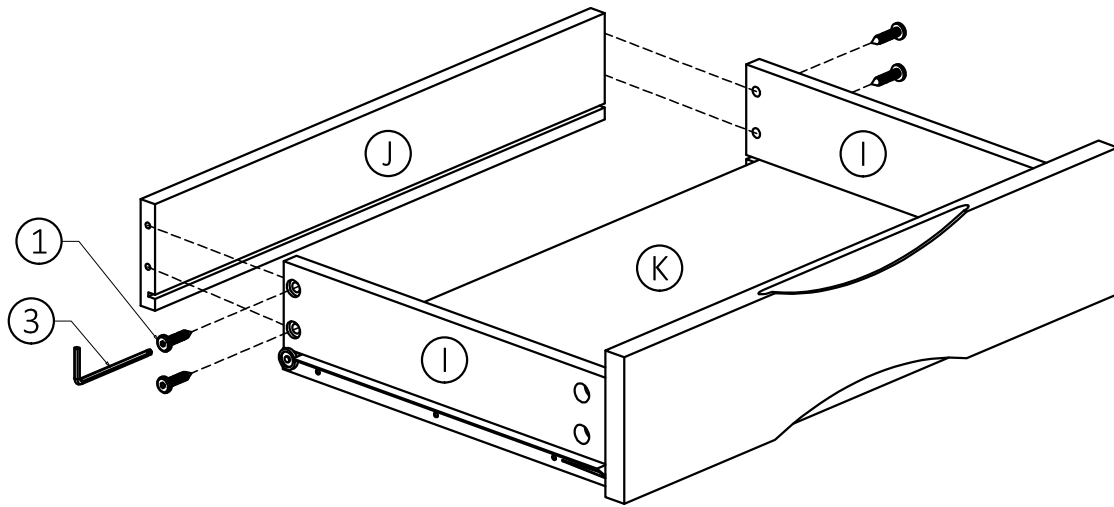
1. Attach four Cam Lock Pins (5) to back of Drawer Front (H).
2. Align Cam Lock Pins with pre-drilled holes and attach Drawer Sides (I).
3. Insert two Cam Lock (5) into pre-drilled holes on each Drawer Side (I).
4. Use flathead screwdriver to secure Cam Locks.

STEP-2

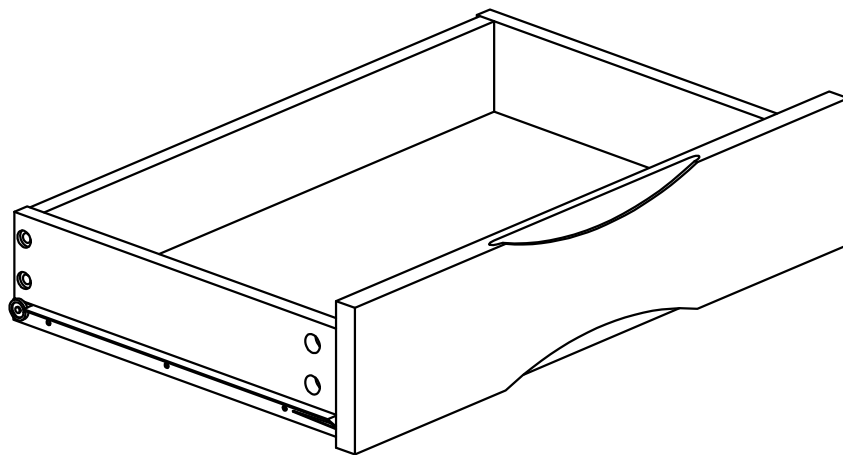


1. Slide Drawer Bottom (K) firmly into slots on Drawer Sides (I) and Drawer Front (H).

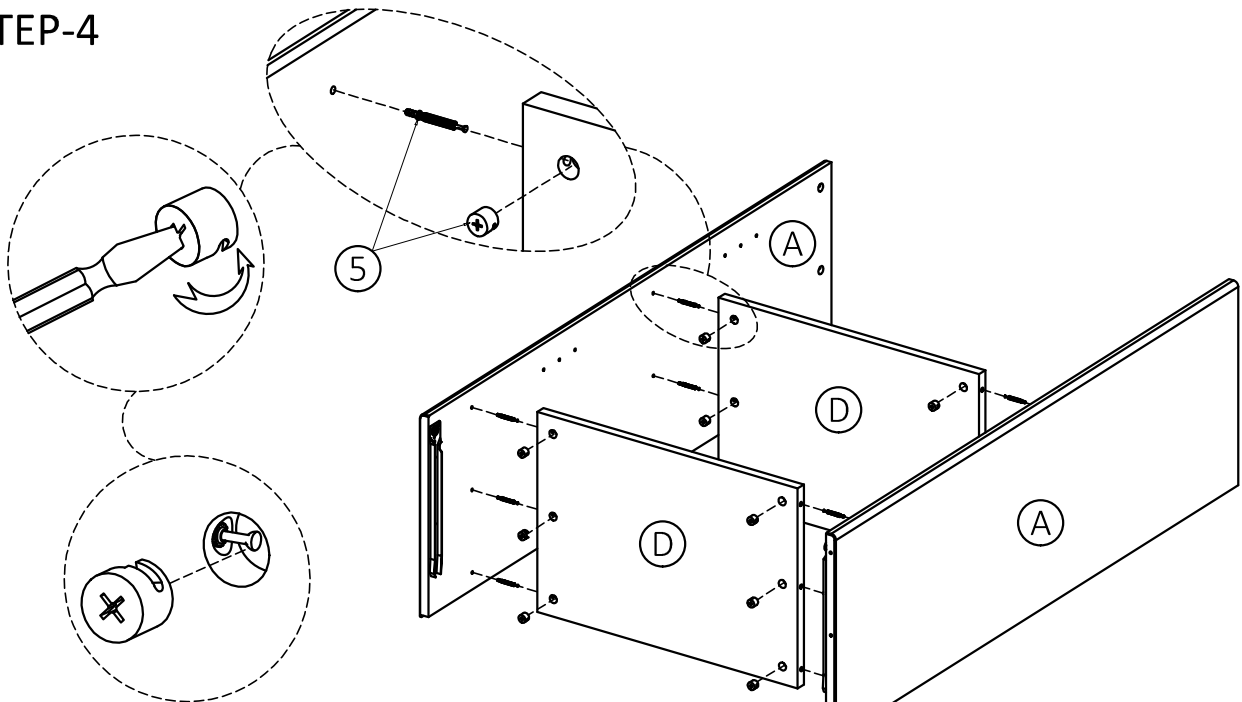
STEP-3



1. Align Drawer Back (J) with Drawer Bottom (K) and press firmly into slot.
2. Attach Drawer Back (J) using two Allen Key Screws (1) through pre-drilled holes on each Side (I).
3. Use Allen Key (3) to tighten Screws. Do not over-tighten.

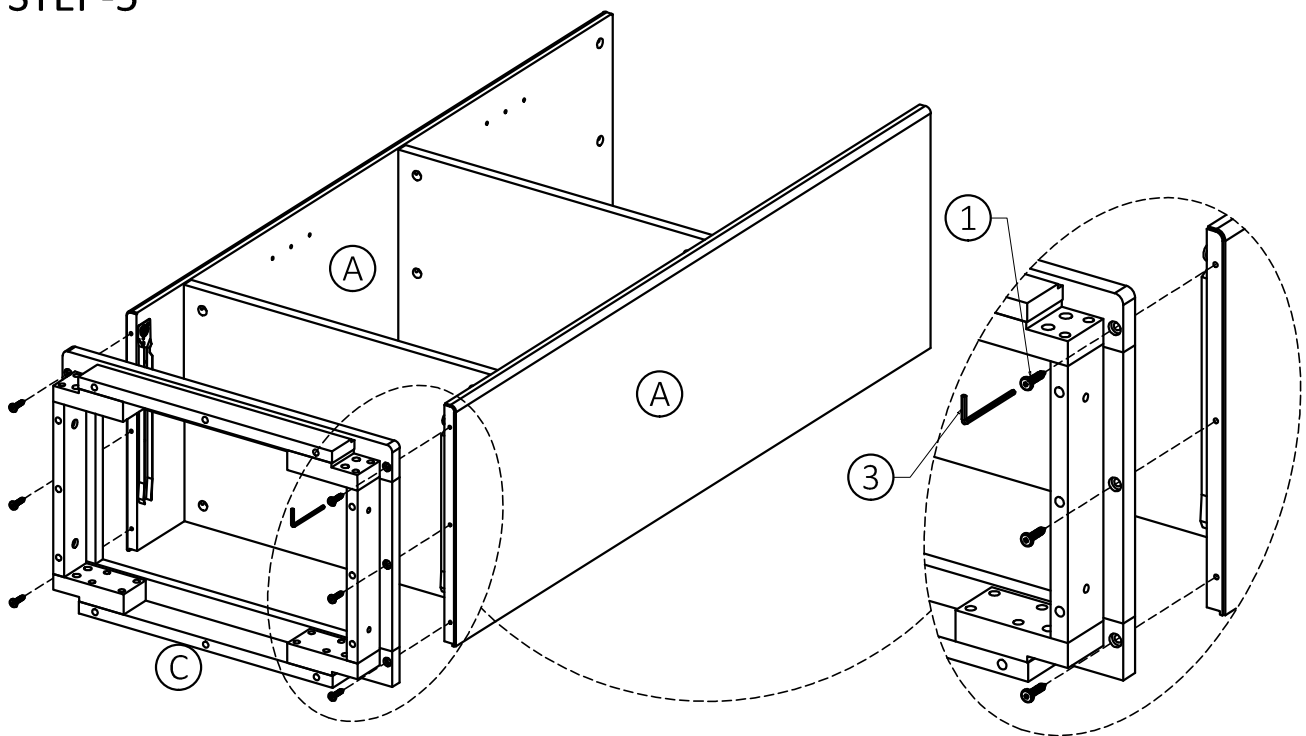


STEP-4



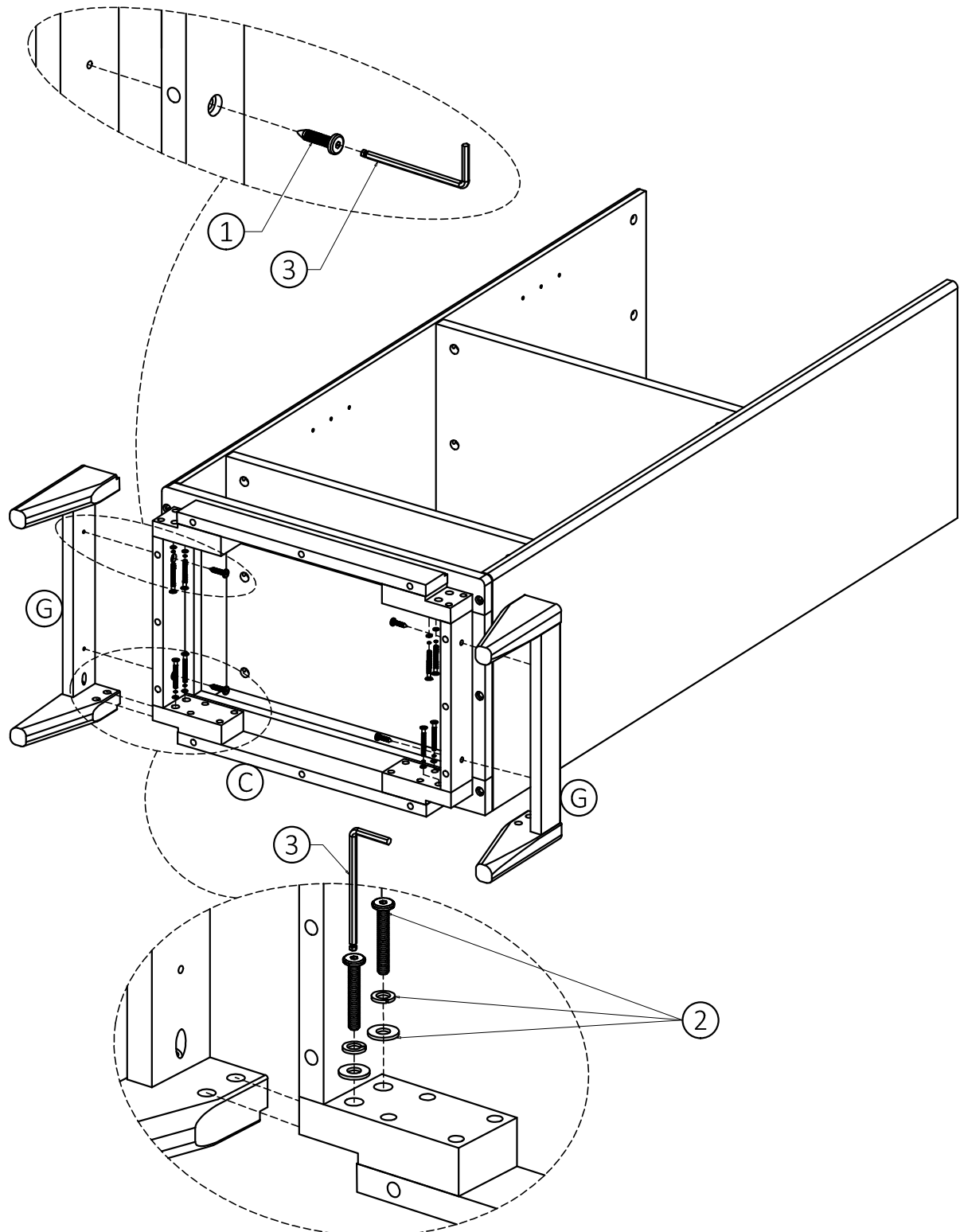
1. Attach six Cam Lock Pins (5) to back of each Side (A).
2. Align Cam Lock Pins with pre-drilled holes and attach Fixed Shelves (D).
3. Insert six Cam Lock (5) into pre-drilled holes on each Fixed Shelf (D).
4. Use flathead screwdriver to secure Cam Locks.

STEP-5



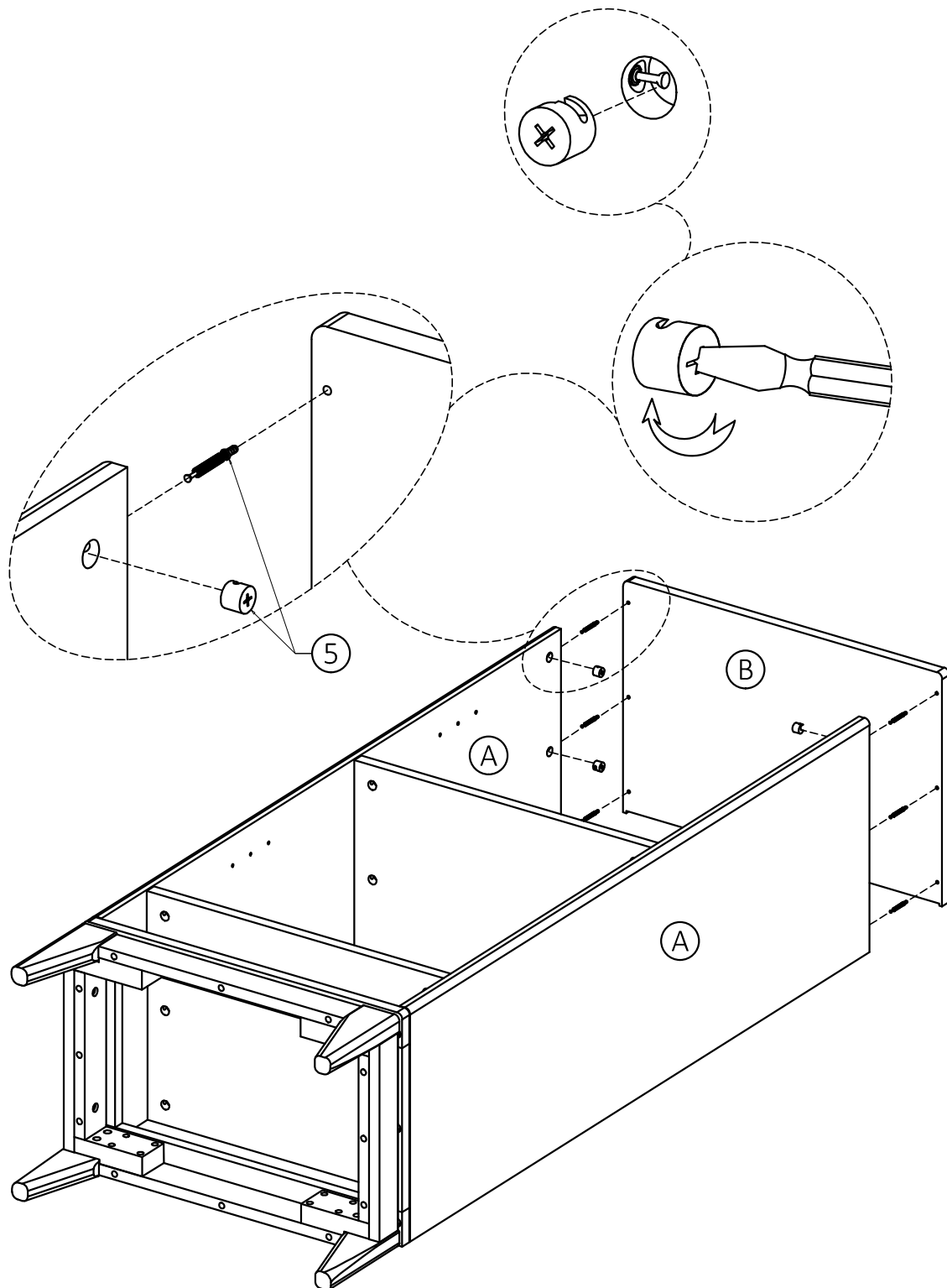
1. Attach Bottom (C) to Sides (A) using six Allen Key Screws (1) (three Screws on each Side).
2. Use Allen Key (3) to tighten Screws. Do not over-tighten.

STEP-6



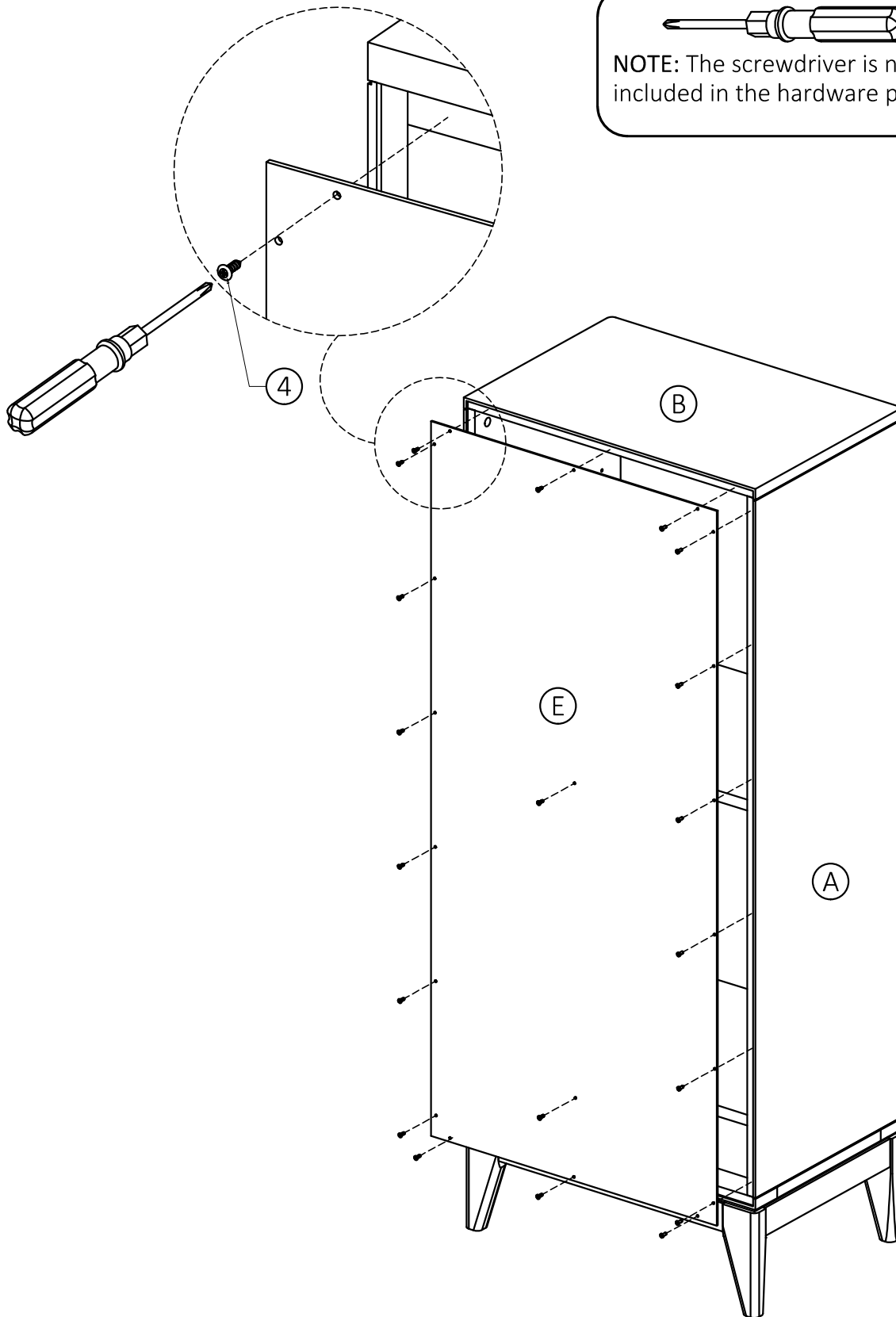
1. Attach Legs (G) to Bottom (C).
2. Use four Allen Key Screws (1) to secure part (C) and (G) (two Screws on each Leg)
3. Use eight sets Bolts and Washers (2) to secure part (C) and (G) (four sets on each Leg).
4. Use Allen Key (3) to tighten Bolts and Screws. Do not over-tighten.

STEP-7



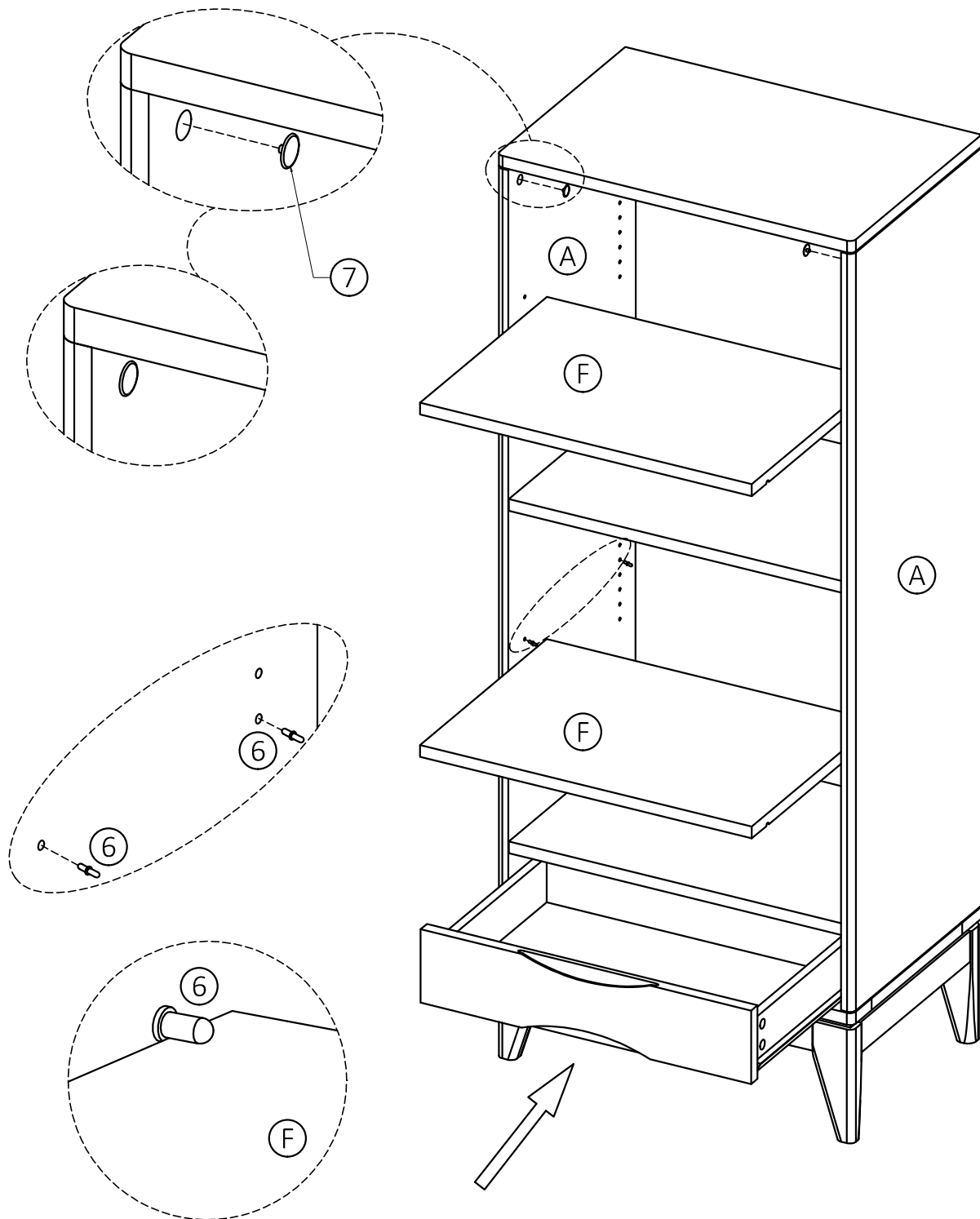
1. Attach six Cam Lock Pins (5) to underneath of Top (B).
2. Align Cam Lock Pins with pre-drilled holes and attach Sides (A).
3. Insert three Cam Lock (5) into pre-drilled holes on each Side (A).
4. Use flathead screwdriver to secure Cam Locks.

STEP-8



1. Attach Back Panel (E) to back frame of bookcase using twenty Phillips Screws Round Head (4) through pre-drilled holes.

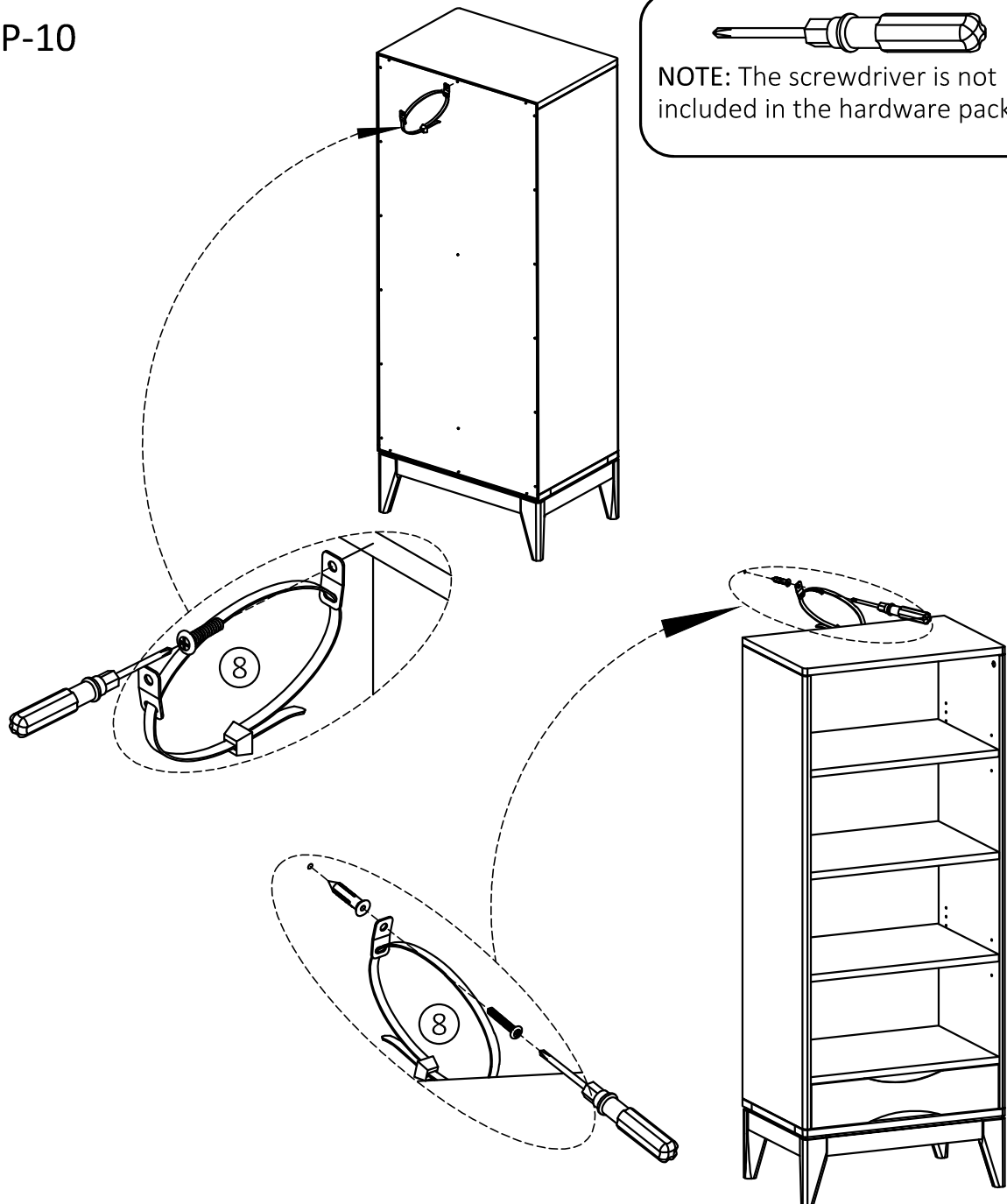
STEP-9



1. Use four Shelf Supports (6) for each Cabinet Shelf (F) in desired location.
2. Two Shelf Supports (6) may be used on back top of each Cabinet Shelf (F) as a tipping restraint.
3. Insert assembly drawers into glides on assembly bookcase.
4. Insert six Plastic Caps (7) into holes Cam Locks on top Sides (A).

NOTE: Injuries and damage can occur from furniture tip-over. It is important to use the safety bracket included. If the tipping restraint kit is not in the box, please contact our customer service department in order to obtain another kit before using the furniture.

STEP-10



1. To attach Tipping Restraint (8) , follow instructions on Tipping Restraint package.

When you determined the location for your unit, install the Furniture Tipping restraint. Carefully follow the instructions contained on the package.



WARRANTY

Thank you for purchasing a **Simpli Home – Wyndenhall – Brooklyn + Max** product. These products have been made to demanding, high-quality standards and are guaranteed for domestic use against manufacturing faults for a period of 12 months from the date of purchase. This warranty does not affect your statutory rights.

In case of any malfunction of your product (failure, missing parts, etc.) please contact us at our toll free service line at 1-866-518-0120 ext. 262 from 9 am to 4 pm, Monday to Friday, Eastern Standard Time or by email at [simpli-home.com/customer-support](https://www.simpli-home.com/customer-support).

We reserve the right to repair or replace the defective product, at its discretion.

This product is guaranteed for 12 months if used for normal purposes. Any warranty is invalid if the product has been overloaded or subject to neglect, improper use or an attempted repair by other than an authorized agent. Heavy-duty or daily professional/commercial usage are not guaranteed.

Due to continuous product improvement, we reserve the right to change the product specifications without prior notice.



Questions, problems, missing parts?

Before returning your product
please email Customer Support at
simpli-home.com/customer-support

or call

Customer Support at 1-866-518-0120 ext. 262
Monday to Friday between 9 am – 4 pm EST

For more information visit us on our website
www.simpli-home.com

Like us on facebook
www.facebook.com/simplihomefurnishings