

## Process of Development a Dual Axis Solar Tracking Prototype

Nader Barsoum\*

Electrical and Electronics Engineering, Faculty of Engineering, University of Sabah, Kota Kinabalu, Malaysia

### Abstract

To track the sun in two directions that is elevation and azimuth, a dual-axis tracking prototype is developed to capture the maximum sun rays by tracking the movement of the sun in four different directions. One axis is azimuth which allows the solar panel to move left and right. The other axis is elevation and allows the panel to turn up and down. The result of this new development provides the solar panels with extensive freedom of movement. This process makes use of the Light Depending Resistor (LDR) which is important to detect the sun light by following the source of the sun light location. AutoCAD software is being used to design the draft in 2-dimension (2D) for the hardware dual axis solar tacker. Sketch Up software is being used to sketch the drawing to be more real in 3-dimension (3D). Proteus software is being used to design the circuit for the Arduino UNO microcontrollers and H-Bridge IC chip. This implemented system can save more energy and probably offers more reduction in cost. The paper discusses the process of hardware development and the control process of tracking the sun, as well as the circuit design.

**Keywords:** Azimuth; Altitude; Arduino microcontroller; LDR; AutoCAD; Elevation; Sketch up; Proteus H-Bridge IC

### Introduction

The demand on electricity and its price is continuously increased over the time. Solar energy has become a preferred alternative to meet the increasing in electricity demand because of its ubiquity, abundance, and sustainability, regardless the intermittency of sunlight, solar energy is widely available and completely free of cost [1]. According to [2], photovoltaic are solid-state devices that simply make electricity out of sunlight, silently and with little to no maintenance, no pollution and no significant depletion of material resources. However, it is costly to install but in a long term it can save more energy and offers more reduction in cost.

A solar tracker is a device for orienting a day lighting reflector, solar photovoltaic panel or concentrating solar reflector or lens toward the sun. Solar powered equipment works best when pointed at or near the sun, so a solar tracker can increase the effectiveness of such equipment over any fixed position, at the cost of additional system complexity. The tracker will enable the panel to follow the path of the sun and produce more power as it absorbs more sunlight. Concentrators, especially in solar cell applications, require a high degree of accuracy to ensure that the concentrated sunlight is directed precisely to the powered device.

By using single axis solar tracker can only capture the minimum power tracking sunlight in one direction which is the elevation movements from east to west by rotating the structure along the vertical axis. According to [3], the use of single-axis tracking can increase the electricity yield by as much as 27% to 32%, but by using dual axis solar tracker, it can capture the maximum sunlight in two movements that is elevation and azimuth and in the same time it can receive the full capacity of lux [2]. Reports that dual-axis tracking increases the electricity output as much as 35% to 40%. Solar tracker is an electro-mechanical device for orienting a solar photovoltaic panel toward the sun trackers. Several methods and designs of sun tracking systems have been proposed, designed and implemented, main are included in [2,4,5] Since solar tracking PV panels include moving parts and control elements relatively expensive, single-axis variant seems to be more cost-effective than the double-axis alternative, especially for small PV power plants. To get maximum intensity of light and zero voltage difference (error degree) the position of panel must always perpendicular to the light source [6]. Uses of Single Axis throughout

the year do not maintain the output power. The position of sun will change from the position of installed solar tracker and make the panel no more perpendicular to the sun which affects the output power. Therefore, dual-axis solar tracking makes the movement of solar panel to be always perpendicular to the sun [7]. The tracker will track the sun throughout the years [8,9] and maintaining the output power generate by the solar panel.

A DC geared motor is a device that uses electricity to produce mechanical energy. The energy in electric current causes the DC geared motor to spin. Any devices attached to the motor can then take advantage of this spinning motion to create another type of motion. In a gear motor, the magnetic current turns gears that are either in a gear reduction unit or in an integrated gear box. A second shaft is connected to these gears. Gear head or gear motor was used in solar tracker which has the advantage of producing high torque [10].

A combination of resistors, capacitors, amplifiers, logic gates, diodes, and transistors used to form a comparison and driver circuit. The output of the comparing circuit powers a driver circuit, which in turn powers a motor and changes direction according to which sensor receives a higher amount of illumination. This orients the solar panel to be perpendicular to the sun [11]. This paper shows the development of a simulated model of dual axis solar tracker by using Proteus, AutoCAD and Sketch Up software. Programming Arduino (ATmega328p) microcontroller to control the rotation of DC motor is also given depending on the voltage differences from the sensor LDR based on intensity of sunlight.

### Process of Hardware

This section explains the workflow of modelling and simulation of

\*Corresponding author: Nader Barsoum, Electrical and Electronics Engineering Program, Faculty of Engineering, University Malaysia Sabah, Kota Kinabalu 88400, Malaysia, Tel: (+6088) 320000/3028; E-mail: [nader@ums.edu.my](mailto:nader@ums.edu.my)

Received October 23, 2015; Accepted December 15, 2015; Published December 26, 2015

Citation: Barsoum N (2015) Process of Development a Dual Axis Solar Tracking Prototype. Global J Technol Optim 6: 189. doi:10.4172/2229-8711.1000189

Copyright: © 2015 Barsoum N. This is an open-access article distributed under the terms of the Creative Commons Attribution License, which permits unrestricted use, distribution, and reproduction in any medium, provided the original author and source are credited.

the prototype hardware:

### A. Block diagram

Figure 1 shows the block diagram of a dual axis solar tracker. 4 LDR sensors are placed adjacent to the solar panel and will be activated when light is detected. An activate signal will be sent to the microcontroller and when the signal is received, the Arduino microcontroller will trigger the 2 drivers and activate the 2 motors.

### B. AutoCAD

AutoCAD is a computer-aided drafting software program used for creating blueprints for buildings, bridges and computer chips. AutoCAD is a 2-D and 3-D software application used in architecture. For the hardware tracker, Figure 2 shows the process of building the model and Figure 3 presents the model of the dual axis solar tracker.

The DC motor A shown in Figure 3 will turn in azimuth axis directions to support the movement of all parts. Then, the top DC motor B will turn in elevation directions so that the LDR can detect the source of sunlight. The circuit will be behind the DC motor A and the solar panel will be in the middle. After the LDRs detect the sunlight, then the solar panel will start its function to convert solar energy into electricity.

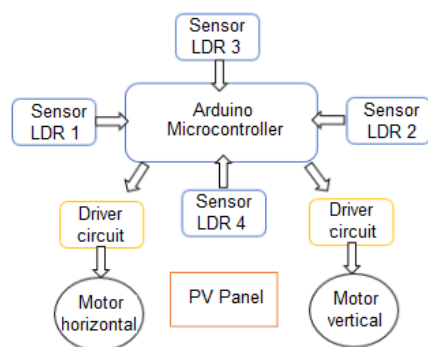


Figure 1: Block Diagram.

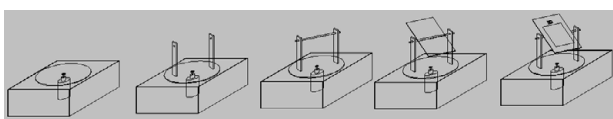


Figure 2: Process of designing the model using AutoCAD.

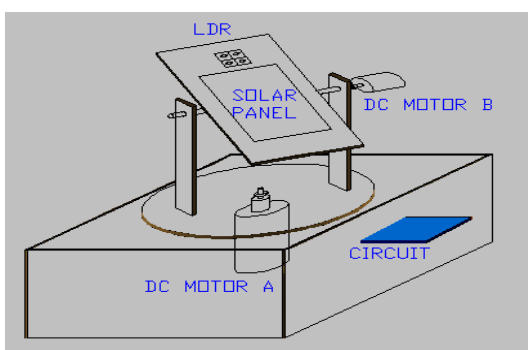


Figure 3: Compressive Strength of Cement Cured at 31°C (87°F) for 12 and 24 Hours.

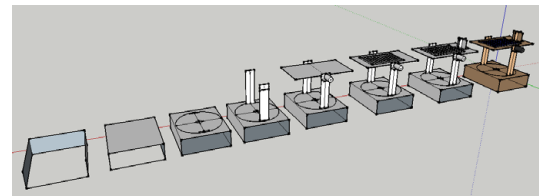


Figure 4: Process of designing the model using Sketch Up.

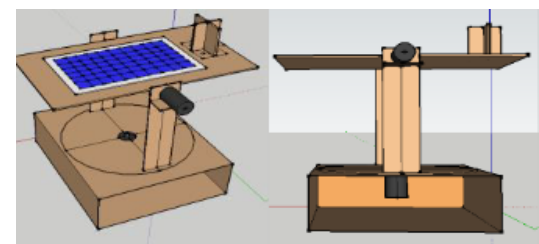


Figure 5: The model of dual axis solar tracker using Sketch Up.

### C. Sketch up

Sketch Up is the most intuitive way to design, document and communicate the ideas in 3D. Sketch Up is a 3D modelling computer program for applications such as architectural, interior design. By using the Sketch Up software Figure 4 shows the process of the designing model and Figure 5 presents the model of the hardware dual axis solar tracker.

### D. Proteus and H-bridge IC

By using Proteus software the hardware circuit is combined by two parts, Arduino Uno microcontroller and the H-Bridge IC which is used to control the motor. The process started with the input signal by the sensor which is the light intensity (LUX used in the software) going into the microcontroller. For Arduino, the analog-to-digital converter (ADC) already exists on the input pins. Therefore, the LDR can be directly connected into it. Inside microcontroller a comparison between the voltages outputs from each LDR occur. There are 5 cases are made by using 'if else' statement. The first case is when LDR sensor 1 received the highest light intensity. Therefore the output voltage V1 is higher than the other sensor. Case number 2, 3 and 4 is the same as case number 1 but at this time with different LDR sensor receives the highest light intensity. Case number 5 is when all the LDR sensors received the same light intensity, thus producing the same value of output voltage. At this point, comparison between sensors is stopped, and then a LOW signal will be sent to H-bridge from microcontroller to turn off the signal for DC motor. When there is a difference between the sensor outputs voltages a HIGH signal is sent to the H-bridge to control the DC motor rotation to move until same voltage output value achieves by the sensors. Figure 6 shows H-bridge L293D discrete component in Proteus.

Based on the IC schematic diagram pin 2, 7, 10 and 15 are the input for the bridge. Pin 1 and 9 are used to turn on the port so that the DC motor can be controlled. Pin 3, 6, 11 and 14 are the output used to connect the DC motor. Positive polarity of the motor will be connected to pin 3 and 11. The simulation will be based on programming language which firstly compares the voltage differences from the two sensors and after some occasion, a signal will be send to the input pin of this H-bridge.

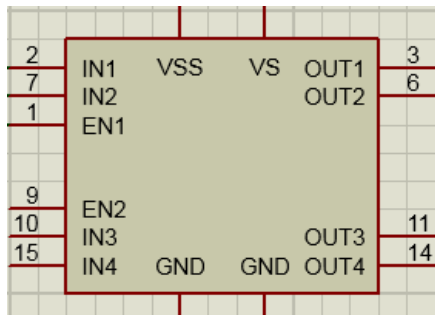


Figure 6: H-bridge L293D IC in Proteus.

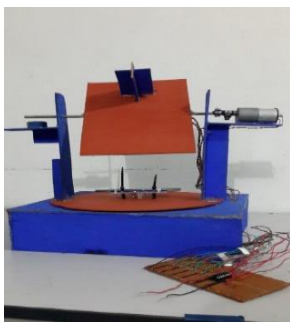


Figure 7: Full part combined with circuit.

### E. Prototype fabrication

This part explains about the process of the fabrication of the prototype dual axis solar tracker. The first part to be done is the base of the dual axis solar tracker. A square box is used for the bottom of the base so that it can hold the top part. Then a round circle board with diameter 26 cm × 20 cm × 2 mm is used to support the motor in the middle of the board so that the motor can turn azimuth axis position. Then a beam of 5 cm × 20 cm × 2 mm is used to support the top part so that it can hold stronger. Another square board of 22 cm × 16 cm × 2 mm is in the top part to support the solar panel and also the LDR. To support the square board at top, a rod metal shaft which goes through the centre of the beam is connected with another DC motor so that the top part can turn the elevation axis. Figure 7 shows the full hardware combined with the circuit.

### F. Circuit fabrication and programming

Figure 8 shows the circuit of H-Bridge IC chip on strip board. The programming part consists of three sections. Sensor input, voltage comparison and input signal for H-bridge. The program is too long and not typed in this paper. Therefore, only small part of the programmed is given as follows:

```
int sensorPinA0 = A0; // set as an input for sensor 1
int sensorPinA1 = A1; // set as an input for sensor 2
int sensorPinA2 = A2; // set as an input for sensor 3
int sensorPinA3 = A3; // set as an input for sensor 4
const int motor1Pin = 3; // h-bridge to arduino
const int motor2Pin = 4; // h-bridge to arduino
const int motor3Pin = 10; //h-bridge to arduino
```

```
const int motor4Pin = 11; //h-bridge to arduino
const int enablePin1 = 9; //h-bridge to arduino
const int enablePin2 = 5; //h-bridge to arduino

int sensorValueA0 = 0;
int sensorValueA1 = 0;
int sensorValueA2 = 0;
int sensorValueA3 = 0;
```

The above description is the declaration of input and output pin which is used on the microcontroller and H-bridge. This code was written in Arduino compiler (saved as .ino file) and also compiled on the same software. There are five cases being simulated and at the same time there are four LDR uses as input sensor. Therefore, each of these sensors has its output voltage resulting from the voltage divider.

When the LDR1 is getting the light source in position 1 (left and bottom), then the Arduino is getting the signal from the LDR1 and hence the Arduino will send the signal to both of DC motors. The first DC motor (bottom) will rotate anticlockwise and the second DC motor (top) will also turn anticlockwise. The same thing will happen when the LDR2 is getting the light source in position 2 (right and bottom). This is because from the coding that has been set in the software part. For position 3, when the LDR4 is getting the light source (right and top), same thing happen to the Arduino which is getting the signal from LDR4 then the Arduino will send the signal to both of DC motor. The opposite will happen compare to the position 1 and 2, for the first DC motor (bottom) will rotate the clockwise and for the second DC motor (top) will also turn clockwise.

The overall outputs that had been produced by the hardware dual axis solar tracker with 4 different position of LDR are shown in Figure 9. Table 1 explains the result that had been produced by the 4 LDRs. LDR1 that places in the top left and bottom gives the output to the DC Motor A (Bottom) will turn anticlockwise while the DC Motor B (Top) will turn anticlockwise also. The same rotation will happen for

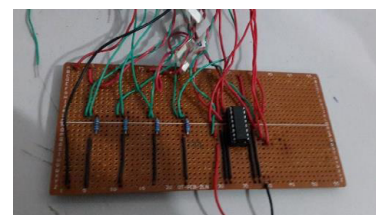


Figure 8: The complete circuit of the H-Bridge IC chip.

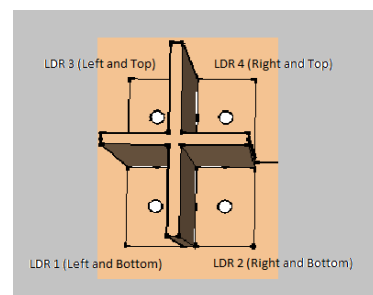


Figure 9: The overall result of the four position of the LDR.

LDR	Position	Movement
LDR 1	Left and Bottom	DC Motor A (Bottom) - Anticlockwise DC Motor B (Top) - Anticlockwise
LDR 2	Right and Bottom	DC Motor A (Bottom) - Clockwise DC Motor B (Top) - Clockwise
LDR 3	Left and Top	DC Motor A (Bottom) - Anticlockwise DC Motor B (Top) - Anticlockwise
LDR 4	Right and Top	DC Motor A (Bottom) - Clockwise DC Motor B (Top) - Clockwise

Table 1: The four results of the LDR.

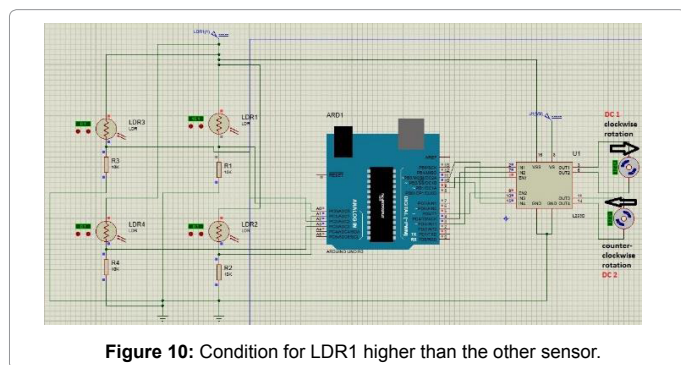


Figure 10: Condition for LDR1 higher than the other sensor.

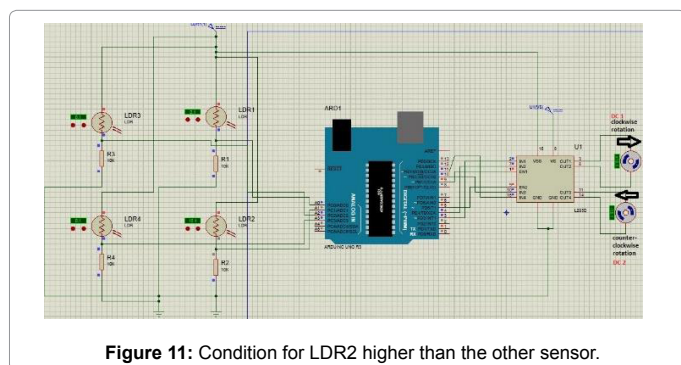


Figure 11: Condition for LDR2 higher than the other sensor.

the DC Motor of LDR3 (Left and Top). Next LDR2 that places in the right and bottom gives the output to the DC Motor A (Bottom) will turn clockwise while the DC Motor B (Top) will turn clockwise also and the same rotation will happen for the DC Motor of LDR4 (Right and Top). Basically, the same output will produce by LDR1 and LDR3 and so for LDR2 and LDR4.

### Tracking Process

DC motor movement will follow the condition of the LDR. In dual axis solar tracking system, there are 2 DC motors. One motor is used to control elevation axis and another motor is used to control azimuth axis

#### Case 1: LDR1 light intensity > LDR2, LDR3 and LDR4

Figure 10 shows that LDR sensor 1 has the highest intensity of light hit on it thus producing a higher voltage output than the other sensors. In this simulation, the highest intensity of light is fixed to 15.1 lux and the lowest is at 0.1 lux. This condition is applied to case 2, 3 and 4 except for case 5 where the simulation is about to test the motor rotation if the intensity of light on each sensor is fixed to 15.1 lux. For case 1, DC motor A rotates in clockwise direction and DC motor B rotates counter-clockwise direction. When applied to the real situation, DC motor A will control the movement of elevation axis of the solar tracker and DC motor B will control the azimuth axis of solar tracker.

#### Case 2: LDR2 light intensity > LDR1, LDR3 and LDR4

Figure 11 shows the condition when LDR sensor 2 gains the highest intensity of light. The position of light in this case is at position 2. Therefore, in order to make all the sensor gain the same intensity of light the elevation axis has to move counter-clockwise and the azimuth axis move clockwise as shown by the DC motor A and B in Figure 11.

#### Case 3: LDR3 light intensity > LDR1, LDR2 and LDR4

Figure 12 is the condition when light is placed on position 3, thus LDR sensor 3 gains the highest intensity of light compared to other sensors. In order for the entire LDR sensor to achieve the same light intensity the elevation axis which is DC motor B rotates clockwise. On the other hand, azimuth axis which is controlled by DC motor A will rotate counter-clockwise.

#### Case 4: LDR4 light intensity > LDR1, LDR2 and LDR3

Figure 13 shows the condition when LDR sensor 4 received the highest intensity of light and the position of light is at position 4. At this case, the solar tracker needs to rotate its elevation axis clockwise and the azimuth axis must rotate counter-clockwise. In this simulation, DC motor A moves counter-clockwise and DC motor B will rotate clockwise.

#### Case 5: LDR1 light intensity = LDR2 = LDR3 = LDR4

Figure 14 is the final case of programming part. This compares the entire sensor on one fixed values of 15.1 lux which means all the sensors are receiving the same light intensity. The position of light is placed at position 5 where light distributed are equally. Therefore, the DC motor A and B stay at the same position instead of rotating. In real applications, this is where solar panel is perpendicular to the sunlight and the production of power can be improves.

Table 2 shows the real time voltage output measurements of the 4 LDR sensors when the light intensity varies its position with respects to the sensor positions. It shows the output voltage of the LDR sensor is not that stable. There are some uncertainty occur in each of the sensor values. This is because the connection of LDR sensor towards the microcontroller is by using a voltage divider apart from the LDR sensors directly. There a 5v supply going into LDR and this LDR connected to a 10k ohm resistor so that the voltage output can be calculated by using the following formula:

$$\text{Voltage output} = \frac{10k \text{ ohm}}{10k \text{ ohm} + \text{LDR ohm}} (\text{Voltage input})$$

The first reading is taken at position 1. LDR3 will receive the highest amount of light for reading number 1 and 2 therefore its output voltage is higher than the other sensor. Reading number 3 is taken at position 4 which make LDR1 and LDR2 values are slightly higher than the other 2 sensors. Reading number 4 and 5 is taken at position 3 which eventually make the voltage output of LDR2 and LDR3 higher. Reading number 6 to 15 is taken at position number 5 which the light is on top

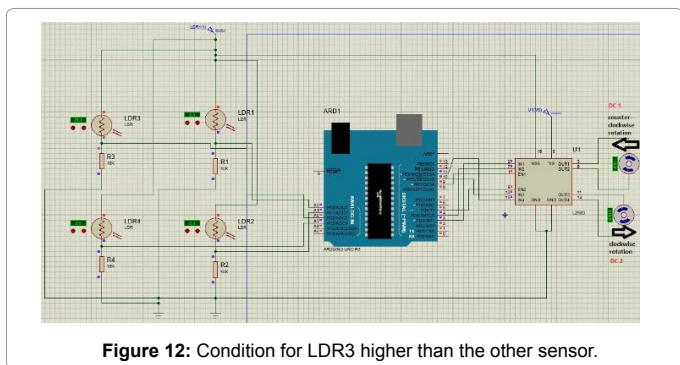


Figure 12: Condition for LDR3 higher than the other sensor.

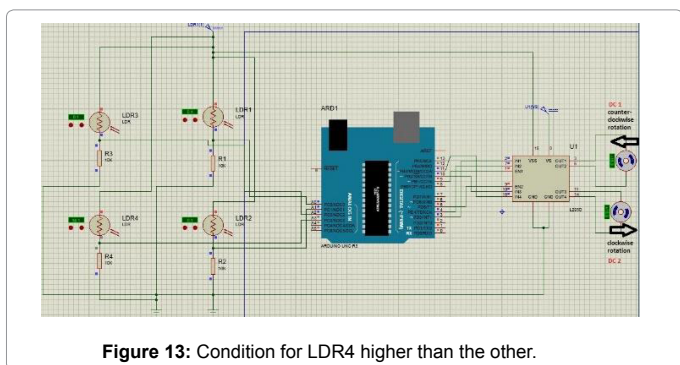


Figure 13: Condition for LDR4 higher than the other.

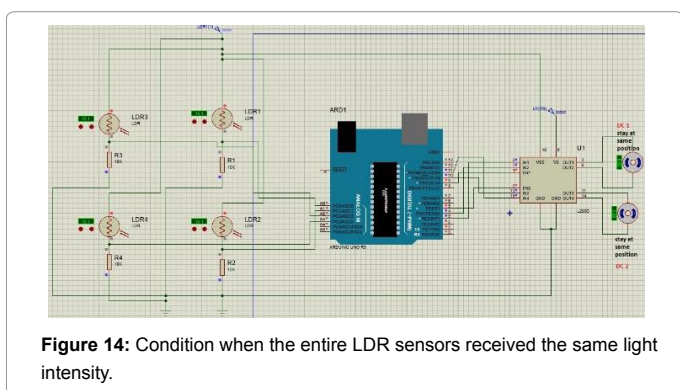


Figure 14: Condition when the entire LDR sensors received the same light intensity.

of the entire 4 sensor. Here, the entire sensor has a constant voltage output except for LDR3 reading, which a bit higher than other sensor and this may be caused by the light position which is more towards LDR3. Reading number 16 is where the entire four sensors achieved the same output voltage with some uncertainty for about 0.05V which is the difference from LDR2 and LDR4. By looking at readings 16 to 20, all output values achieved the same peak which is about 4v. This is the ideal position of the solar tracker where the panel will be perpendicular to the light source. Light source for reading number 17 to 20 is still in the same position of reading number 16. The readings are taken for many times in order to get accurate voltage output values for the sensor.

### Conclusion

Both single-axis and dual-axis are highly efficient in terms of the electrical energy output when compared to the fixed mount system. Compare to single axis solar tracker, the Dual axis tracker is having more efficiency. The main contributions of this work are the development of a two axis solar tracker prototype that uses four sensors to predict the

Reading number	Sensor LDR1	Sensor LDR2	Sensor LDR3	Sensor LDR4
1	0.64	0.96	2.64	0.96
2	0.72	1.09	2.77	1.16
3	2.34	2.18	1.9	0.56
4	2.04	2.58	2.71	1.28
5	2.32	2.39	2.84	2.49
6	2.52	2.57	2.86	2.67
7	2.43	2.4	2.79	2.52
8	2.56	2.5	2.96	2.66
9	2.55	2.57	3.14	2.43
10	2.44	2.44	2.92	2.52
11	2.55	2.57	3.14	2.43
12	2.6	2.58	3.16	2.59
13	2.73	2.75	3.2	2.74
14	2.71	2.78	3.21	2.73
15	2.69	2.71	3.2	2.71
16	4.02	4.03	4.01	3.98
17	4.06	3.99	3.93	3.94
18	3.8	4	4.08	3.94
19	3.98	3.98	3.8	3.75
20	3.78	3.79	3.99	3.96

Table 2: Voltage output of LDR sensor.

sun apparent position. By using the AutoCAD and Proteus software, it helps to design the draft for the hardware dual axis solar tracker. Sketch Up is also software being used for confirmation of this purpose. With this software, 3D design about the model prototype can be done. It helps to make the sketch better and more accurate. The Arduino helps to make the circuit not so difficult, which save a lot of time and energy. In this system the further research can be done to make the system more precise and complete.

In this paper, all the objectives have been achieved which is, firstly, to design a model of dual axis solar tracker by using software (Proteus). The design has been showed and analyzed. Secondly, to program the micro-controller on Arduino (ATmega328p) so that rotation of DC motor can be controlled by microcontroller and H-bridge. The programming part consists of 5 cases which has been stated and analyzed. Thirdly, to investigate the voltage differences from the sensor (Light depending resistor LDR) based on intensity of light received by the sensor. The output has been plotted into a graph and has been analyzed.

### References

- Chin CS, Babu A, McBride W (2011) Design, modeling and testing of a standalone single axis active solar tracker using MATLAB/Simulink. In: Renewable Energy 36: 3075–3090.
- Prasad DK, Snow M (2005) Designing with Solar Power: A Source Book for Building Integrated Photovoltaic (BiPV). London: Earthscan.
- Appleyard D (2009) Solar Trackers: Facing the Sun. Renewable Energy World.
- Mohammed SEM, Basil MH (2012) Two axis tracker using fuzzy controller via PIC16F887a, The 4rd International Engineering Conference, At Islamic University of Gaza, Gaza, Palestine.
- Salem Farhan A (2013) Mechatronics Design of Solar Tracking System, International Journal of Current Engineering and Technology 3: 750-762.
- Mousazadeh H, Keyhani A, Javadi A, Mobli H, Abrinia K, et al. (2009) A review of principle and sun-tracking methods for maximizing solar systems output. Renewable and Sustainable Energy Reviews 13: 1800-1812.
- Nader Barsoum, Pandian Vasant (2010) Simplified Solar Tracking Prototype”, Global Journal of Technology and Optimization 1: 38-45.

8. Nader Barsoum (2011) Fabrication of Dual-Axis Solar Tracking Controller Project. Intelligent Control and Automation, Scientific research Journal 2: 57-68.
9. Nader Barsoum (2011) Implementation of Dual-Axis Solar Tracking Pilot Project. Global Journal of Technology and Optimization 2: 49-56.
10. Scary Terry (2008) Using a wiper motor in projects.
11. Goetz Berger A, Hebling C, Schock HW (2002) Photovoltaic materials, history, status and outlook. Materials Science and Engineering 40: 1-46.

**Citation:** Barsoum N (2015) Process of Development a Dual Axis Solar Tracking Prototype. Global J Technol Optim 6: 189. doi:[10.4172/2229-8711.1000189](https://doi.org/10.4172/2229-8711.1000189)

#### OMICS International: Publication Benefits & Features

**Unique features:**

- Increased global visibility of articles through worldwide distribution and indexing
- Showcasing recent research output in a timely and updated manner
- Special issues on the current trends of scientific research

**Special features:**

- 700 Open Access Journals
- 50,000 editorial team
- Rapid review process
- Quality and quick editorial, review and publication processing
- Indexing at PubMed (partial), Scopus, EBSCO, Index Copernicus and Google Scholar etc
- Sharing Option: Social Networking Enabled
- Authors, Reviewers and Editors rewarded with online Scientific Credits
- Better discount for your subsequent articles

Submit your manuscript at: <http://www.editorialmanager.com/biochem>