

# Kingtronics®

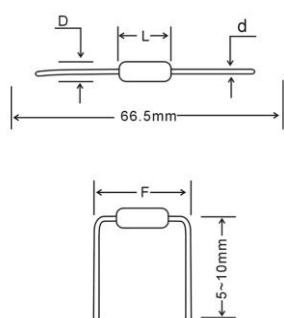
# AKT

## Axial MLCC Ceramic Capacitor



Operating Temperature	NPO	X7R	Y5V
	-55°C~+125°C	-55°C~+125°C	-25°C~+85°C

### SIZE CODE CAPACITANCE AND VOLTAGE

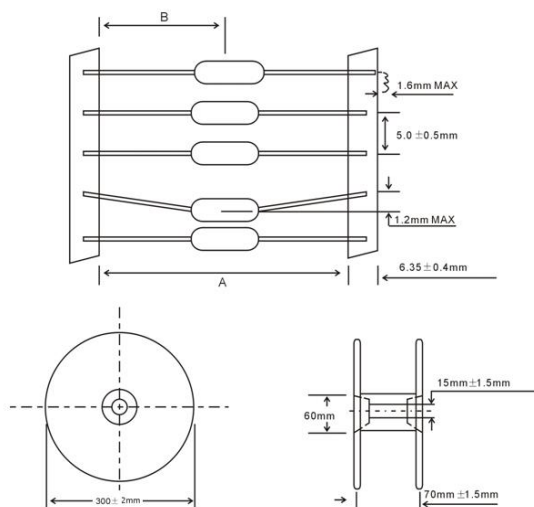


Size Code	L max	D max	F (±0.6)	d (±0.05)	Voltage	COG (NPO)	X7R	Y5V (Z5U)
15	3.8	2.5	5.08	10.0	25V	0R5~102	101~333	222~224
					50V	0R5~821	101~223	222~154
					100V	0R5~561	101~472	
17	4.3	2.5	5.08	10.0	25V	0R5~332	331~104	103~105
					50V	0R5~222	331~473	103~684
					100V	0R5~102	331~223	
20	5.1	3.0	5.08	10.0	25V	0R5~472	102~224	103~125
					50V	0R5~392	102~104	103~105
					100V	0R5~152	102~683	

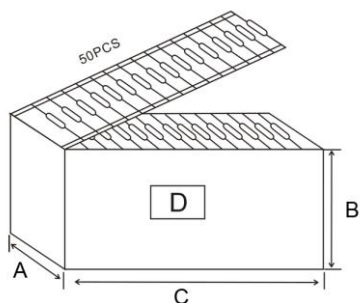
### PACKAGING STYLE

#### Tape and Reel

Tape style	A	B
Tape width: 52.4mm	52.4±1.5mm	26.2±0.76mm



#### Ammo Package



Tape Style	A	B	C	D
52.4mm	81(±5)mm	72(±5)mm	258(±5)mm	Label

**Kingtronics® International Company**

# Kingtronics®

# AKT

## Axial MLCC Ceramic Capacitor

### PACKAGING QUANTITY

Size Code	Tape and Reel	Ammo Package	Bulk Package
15	5000	5000	1000
17	5000	5000	1000
20	2500	2500	500

### HOW TO ORDER

AKT	---	104	M	17	Y	500	P	52	R
↓		↓	↓	↓	↓	↓	↓	↓	↓
A		B	C	D	E	F	G	H	I

#### A:

Product Type
TYPE
I DIELECTRIC AXIAL
II DIELECTRIC AXIAL
LEADS

#### B:

Capacitance	
104	10x10 <sup>4</sup>
5R6	5.6

#### C:

Tolerance	
B	±10pF
C	±0.25pF
D	±0.5pF
F	±1.0%
G	±2.0%
J	±5.0%
K	±10%
M	±20%
N	±30%
S	+50% -20%
Z	+80% -20%
P	+100% -0%

#### D:

Unit : Inches

Corpus Length	
15	0.15
17	0.17
20	0.20

#### E:

Temperature Characteristics			
N	NPO	0±30ppm/°C	(-55~+125°C)
B	X7R	±15%	(-55~+125°C)
Y(F)	Y5V	+30 -80 %	(-25~+85°C)
E	Z5U	+22 -56 %	(-10~+85°C)

B.C.D For C<10pF

NPO:B.C.D.F.G..J.K.M

X7R:K.M.S.Z

Y5V/Z5U:M.S.Z.P

#### F:

Rated Voltage	
250	25V
500	50V
101	100V

#### G:

Package Style		
T	Tape & Reel	
P	Ammo	
F	(mm) Pitch	
Bulk	F2	5.08
	F3	7.5
	F4	10

#### H:

Tape Style	
52	Tape Width: 52.4mm

#### I:

Pb	
R	RoHS

Note: Specifications are subject to change without notice.

**Kingtronics® International Company**

Website: [www.kingtronics.com](http://www.kingtronics.com) Email: [info@kingtronics.com](mailto:info@kingtronics.com) Tel: (852) 8106 7033 Fax: (852) 8106 7099