

An Efficient Noisy-ICA Based Approach to Multiuser Detection in IDMA Systems

Abdelkrim Hamza^{1,2}, Salim Chitroub¹, Gérard Salut²

¹*LCPTS Laboratoire de Communication et du Traitement du Signal, FEI-USTHB, Alger, Algeria*

²*Laboratoire d'Analyse et d'Architecture des Systèmes-CNRS;LAAS, F-31077 Toulouse, France*

E-mail: ahamza@usthb.dz

Received July 3, 2010; revised August 7, 2010; accepted September 5, 2010

Abstract

Interleaved Division Multiple Access (IDMA) is a new access scheme that has been proposed in the literature to increase the capacity of wireless channels. The performance of such systems depends on the accuracy of the channel state information at the receiver. In this paper, a Noisy-Independent Component Analysis (N-ICA) based IDMA receiver for multiple access communication channels is proposed. The N-ICA component is applied as a post processor. Unlike other IDMA receivers, the proposed scheme detects and separates the transmitted symbols without channel state information tracking. The performance of the proposed technique is presented in terms of raw bit error rate (BER) without channel coding for different signal to noise ratios (SNR). Simulation results demonstrate that N-ICA post processor provides an improvement in performance in BER in loaded systems. When the system is not loaded, the proposed post processor has the same performance as conventional IDMA receiver with less iterations leading to a complexity reduction.

Keywords: IDMA, ICA, Multi-User Detection

1. Introduction

One of the challenges of next generation wireless systems is the spectral efficiency. The goal is to provide sufficient quality and capacity to the diverse and rich multimedia content that need to be transmitted. Recently proposed Interleave-Division Multiple-Access (IDMA) communication system is one of the most promising technologies for high data rate wireless networks [1]. IDMA can be regarded as a special case of Code Division Multiple Access (CDMA). In CDMA systems, users are separated using signatures or spreading codes; while in IDMA systems, distinct interleavers are employed to separate users [2].

At the receiver of IDMA system, the signal of the user of interest needs to be extracted out of the Multiple Access Interference (MAI) and the Inter Symbol Interference (ISI). Moreover, since conventional IDMA detector is sensitive to channel estimation errors [3], a good channel tracking algorithm is mandatory. This might drastically increase the overall complexity at the receiver. To overcome those drawbacks, in this paper, we propose a new blind receiver for IDMA systems. In our approach, a

noisy Independent Component Analysis (N-ICA) scheme is introduced as a post processor. Independent Component Analysis (ICA) has attracted special attentions in the wireless communication fields for interference suppression of CDMA systems [4,5].

In this paper, we propose to detect and separate the transmitted symbols without channel tracking and by including the noise in the global model; leading to the N-ICA model. We will show that our model is very suitable for symbol detection and separation in the IDMA context. In terms of complexity, as a post processor, the proposed solution starts the processing just after conventional IDMA processing. In this case, a hardware reuse is possible if an FPGA implementation is carried on for example (currently being finalized). Therefore, the proposed N-ICA block does not represent a complexity increase in the overall system.

The remainder of this paper is organized as follows. The next section is devoted to the IDMA system model. In Section 3, we detail the proposed N-ICA model for IDMA. In Section 4, an estimation algorithm is presented for N-ICA in an IDMA context. Using some evaluation criteria, computer simulation results are presented in Section 5 to

provide a comparative study. Conclusions are drawing in Section 6.

2. IDMA System Model

As shown in **Figure 1** (the upper plot is the transmitter and the lower one is the receiver), we consider an IDMA system with K users. A single path channel h_k and BPSK modulation are considered here. The n th bit in the sequence d_k of k th user is spread, generating a sequence vector denoted $\mathbf{c}_k=[c_k(1), c_k(2), \dots, c_k(J)]^T$ where J is the frame length, C is the spreading factor and the superscript T is the transpose operator. Then \mathbf{c}_k is permuted by an interleaver π_k and at the output of the interleaver, the vector $\mathbf{x}_k=[x_k(1), x_k(2), \dots, x_k(J)]^T$ is obtained. The elements in \mathbf{c}_k and \mathbf{x}_k are considered as chips. The chip rate is C times higher than the bit rate. Users are distinguished mainly by their respective interleavers π_k . Each user can have its own signature sequence or all users can share the same spreading code [3]. The received signal can be modeled as:

$$r(j) = \sum_{k=1}^K h_k x_k(j) + n(j) \quad j=1 \dots J \quad (1)$$

As illustrated in figure 1, this sub optimal receiver consists of an elementary signal estimator (ESE) and K single user a posteriori probability (APP) decoders (DEC) [1]. The multiple access and coding constraints are considered separately in the ESE and DEC. The outputs of the ESE and DEC are extrinsic log likelihood ratios (LLRs) about $\{x_k(j)\}$ defined in [2]. These LLRs are further distinguished by subscripts, $e_{ESE}(x_k(j))$ and

$e_{DEC}(x_k(j))$, depending on whether they are generated by the ESE or DEC. A global turbo-type iterative process is then applied to process the LLRs generated by the ESE and DEC, as detailed below [1,3].

$$e(x_k(j)) = \log \frac{\Pr(r|x_k(j) = +1, h_k)}{\Pr(r|x_k(j) = -1, h_k)} \quad \forall k, j \quad (2)$$

2.1. The Basic ESE

The Equation (1) can be rewritten as:

$$r(j) = h_k x_k(j) + \xi_k(j) \quad (3)$$

$$\xi_k(j) = r(j) - h_k x_k(j) \quad (4)$$

where ξ_k is the distortion including interference plus noise in $r(j)$ with respect to user- k [3]. The mean and the variance functions are noted by $E(\cdot)$ and $\text{Var}(\cdot)$ respectively.

$\xi_k(j)$ can be approximated by a random Gaussian variable.

with mean and variance :

$$E(\xi_k(j)) = E(r(j)) - h_k E(x_k(j)) \quad (5)$$

$$\text{Var}(\xi_k(j)) = \text{Var}(r(j)) - |h_k|^2 \text{Var}(x_k(j)) \quad (6)$$

where

$$E(r(j)) = E\left(\sum_{k=1}^K h_k x_k(j)\right) + E(n(j)) \quad (7)$$

$$\text{Var}(r(j)) = \sum_{k=1}^K |h_k|^2 \text{Var}(x_k(j)) + \sigma^2 \quad (8)$$

Therefore, the log likelihood ratio [1] is given by:

$$e_{ESE}(x_k(j)) = 2.h_k(r(j) - E(\xi_k(j))) / \text{Var}(\xi_k(j)) \quad (9)$$

2.2. The DEC Function

The Dec in our structure performs despreading operation and the extrinsic LLRs $e_{DEC}(c_k(j))$ are used to update $E(x_k(j))$ and $\text{Var}(x_k(j))$ as [3]:

$$E(x_k(j)) = \tanh \tanh e_{DEC}(x_k(j)) / 2 \quad (10)$$

$$\text{Var}(E(x_k(j))) = 1 - E(x_k(j))^2 \quad (11)$$

This iterative process is repeated a preset number of times.

2.3. The ESE Function for Multi-Path Channels

When we consider a multipath fading channel with L paths; the received signal is represented by:

$$r(j) = \sum_{k=1}^K \sum_{l=0}^{L-1} h_{k,l} x(j-l) + n(j) \quad \forall j \quad (12)$$

where $h_{k,l}$ are the coefficients related to user k .

Following a similar principle as that for single path we obtain Algorithm 1 below for detection in a multipath channel:

Algorithm 1: Detection in a Multi-Path Channel

- 1) Estimation of interference Mean

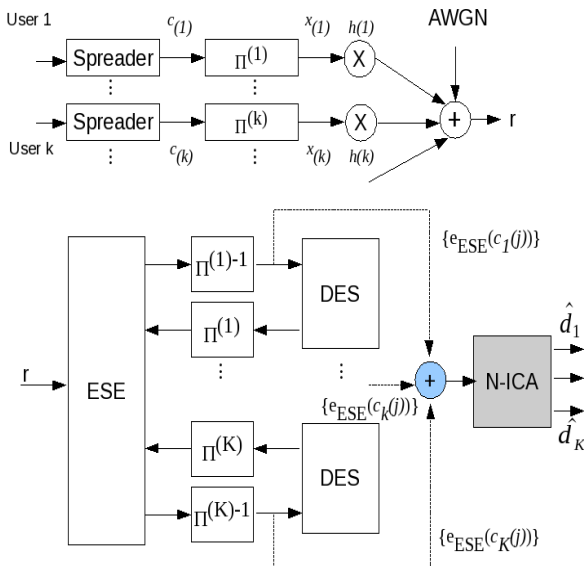


Figure 1. IDMA-N-ICA system model.

$$E(r(j)) = \sum_{k=1}^K \sum_{l=0}^{L-1} h_{k,l} E(x(j-l)) \quad (13)$$

$$E(\xi_{k,l}(j)) = E(r(j+l) - h_{k,l} E(x_k(j))) \quad (14)$$

2) Estimation of interference variance

$$\text{Var}(r(j)) = \sum_{k=1}^K \sum_{l=0}^{L-1} |h_{k,l}|^2 \text{Var}(x(j-l)) + \sigma^2 \quad (15)$$

$$\text{Var}(\xi_{k,l}(j)) = \text{Var}(r(j+l)) - |h_{k,l}|^2 \text{Var}(x_k(j)) \quad (16)$$

3) LLR generation

$$e_{ESE}(x_k(j))_l = 2 h_{k,l} \frac{r(j+l) - E(\xi_{k,l}(j))}{\text{Var}(\xi_{k,l}(j))} \quad (17)$$

$$e_{ESE}(x_k(j)) = \sum_{l=0}^{L-1} e_{ESE}(x_k(j))_l \quad (18)$$

3. ICA and N-ICA Principle

The application of ICA consists of estimating the unknown input signals from the output signals without prior knowledge of the channel state information [6].

Let's suppose that the sources are statistically independent. This is a fundamental assumption for using ICA that is generally verified in communication systems [6].

The extraction of the sources can be done by ICA by exploiting the essential features of the sources and system [7]. In the simplest form of ICA, we observe n scalar variables r_1, r_2, \dots, r_n which are linear combinations of l unknown independent sources or components ICs denoted by b_1, b_2, \dots, b_l .

If we express the observed random variables with the vector, $\mathbf{r} = (r_1, r_2, \dots, r_n)^T$ and the ICs variables b_j with the vector $\mathbf{b} = (b_1, b_2, \dots, b_l)^T$ then the relationship is given by [8]:

$$\mathbf{r}_m = \mathbf{G} \mathbf{b}_m + \mathbf{n}_m \quad (19)$$

where r_m is the m th observed data vector, \mathbf{G} is an unknown full rank mixing matrix, \mathbf{b}_m is an unknown non Gaussian source vector and \mathbf{n}_m is an additive Gaussian noise process.

The goal is to estimate the noise free ICs b_m using only the observations r_m and the assumption of the independence of the sources. This means that a set of vectors $\mathbf{w}_1, \mathbf{w}_2$, should be estimated such that $\mathbf{W} = [\mathbf{w}_1, \mathbf{w}_2, \dots]$ is the separating matrix; therefore, the output source estimations $\mathbf{w}_1^T \cdot r_m, \mathbf{w}_2^T \cdot r_m, \dots$ i.e.:

$$y_m = \mathbf{W}^T \mathbf{r}_m \quad (20)$$

are independent and each of them can be used to represent one of the sources.

3.1. Mathematical Representation of IDMA by N-ICA Model

In this subsection, we develop the theoretical framework and show the similarity between Noisy ICA model and IDMA system model. We focus our atten-

tion on synchronous IDMA systems for simplicity and brevity. However, the method can be extended to an asynchronous system by extending the observation interval.

After chip rate sampling i.e. C equal spaced samples per symbol are taken, the sampled data is processed within a window of specific size. For synchronous model, data propagated through a single path channel fall into the same window of size T_b for desired and interfering symbols.

The samples are then collected into a $C \times I$ vectors \mathbf{r}_m .

$$\mathbf{r}_m = \sum_{k=1}^K h_k d_{k,m} s_k + \mathbf{n}_m \quad (20)$$

here s_k is the $C \times I$ vector representation of k th user's interleaved signature sequence and \mathbf{n}_m denotes the noise vector.

The last equation can be rewritten in a matrix form:

$$\begin{aligned} \mathbf{b}_m &= [d_{1,m}, d_{2,m}, \dots, d_{K,m}] \\ \mathbf{s}_I &= [s_{1,I}, s_{2,I}, \dots, s_{C,I}]^T \quad C \times I \text{ vector} \\ \mathbf{r}_m &= [s_1, \dots, s_K] \begin{bmatrix} h_1 & \dots & 0 \\ \vdots & \ddots & \vdots \\ 0 & \dots & h_K \end{bmatrix} \begin{bmatrix} b_{1,m} \\ \vdots \\ b_{K,m} \end{bmatrix} + \begin{bmatrix} n_1 \\ \vdots \\ n_K \end{bmatrix} \\ \mathbf{r}_m &= [s_1 h_1, \dots, s_K h_K] \mathbf{b}_m + \mathbf{n}_m \end{aligned} \quad (22)$$

Equation (22) can be represented in a more compact form:

$$\mathbf{r}_m = \mathbf{G} \mathbf{b}_m + \mathbf{n}_m \quad (23)$$

where the $C \times K$ matrix \mathbf{G} is assumed full rank. We can see the similarity between the IDMA model of Equation (23) and the N-ICA model of Equation (19). The goal of the Noisy-ICA based IDMA detection is to recover the symbol vector \mathbf{b}_m for each user k without knowing the parametric form of \mathbf{G} which depends on the channel coefficients.

4. N-ICA Estimation Algorithm

The proposed system is a hybrid structure composed of two parts where a classical IDMA receiver is combined with a N-ICA block as shown in figure 1. Block IDMA, described in the previous section, works for a number of iterations (it) after which the block N-ICA takes over. The proposed N-ICA will act as a post processor attached to an IDMA receiver in the presence of noise. The aim of our N-ICA block is to avoid continuous tracking of channel state information [9]. In this section, we will derive estimation algorithms for the proposed N-ICA post processor in IDMA context.

4.1. Principal Component Analysis Processing

The Principal Component Analysis (PCA) based part of the model consists of whitening the input signals. This

step of processing is achieved by using the PCA in [10] to extract the Principal Components (PCs). This can be done for the noiseless case as follows:

$$Y = \Lambda^{-1/2} U^T G B \quad (24)$$

where the matrix U corresponds to the Eigen vector of the data covariance matrix C and the diagonal matrix Λ that contains the related Eigen values λ :

$$\Lambda^{-1/2} = \text{diag} [\lambda_1^{-1/2}, \lambda_2^{-1/2}, \dots, \lambda_n^{-1/2}] \quad (25)$$

This PCA processing can be extended to noisy data using bias removal technique [8]. In the regular ICA process, the covariance matrix of the noise free data r_m^{nf} can be given by:

$$C = E \{ r_m^{nf} (r_m^{nf})^T \} = G G^T \quad (26)$$

On the other hand, the covariance matrix of the observed noisy data can be written as:

$$\Gamma = E \{ r_m r_m^T \} = G G^T + \sigma^2 I = C + C_n \quad (27)$$

where σ^2 is the noise power and C_n is the diagonal noise covariance matrix. In the noise bias removal technique, the Eigen values and vectors of matrix $\Gamma - C_n$ is used for whitening instead of matrix Γ which is called quasi-whitening [10].

In fact, quasi whitening can be performed on the noisy data as follows:

$$z = (\Lambda - \sigma^2 I)^{-1/2} U^T r_m \quad (28)$$

The covariance matrix of quasi white data is then given by:

$$E \{ z z^T \} = I + \sigma^2 (\Lambda - \sigma^2 I)^{-1} \quad (29)$$

From (29), we notice that the covariance matrix is different from the identity matrix. Therefore, we have to take into account the non-whiteness of the data.

This is achieved by using the fast ICA algorithm that is presented in the next subsection.

4.2. Fast ICA Algorithm

Since only the second order statistics are used to compute the matrix, the PCA used in the first part of the model does not provide the best results. Higher order statistics of the received signals contain additional information about the non Gaussian properties of the noise.

The purpose of this work is to establish a new scheme in which the system can take into account such random deformations in the detection step. To improve the performance, the presence of the noise should be reduced to the minimum using the extracted PCs without additional prior knowledge of their statistical properties. This is the purpose of the ICA based part of the model. Therefore, the ICA model should include a noise term as well in its linear transform matrix.

The ICA approach that we present here is our contribution to take into account the noise in the ICA model. This means that the bias due to noise should be removed, or at least reduced.

Noisy-FastICA has been applied to the blind source separation and interference suppression in multiple access communications before in [11] and FastICA in [9], [10]. The Noisy-FastICA algorithm performs as follows (Algorithm 2):

Algorithm 2: Noisy-FastICA

Let k be the desired user, r_m , $m = 1, \dots, M$ the received block data and b denotes the estimate of the symbol b .

- 1) First perform PCA for dimension reduction
- 2) Quasi- whitened the noisy data using (28)
- 3) Start ICA

Let $t=1$ and update

$$w(t) = \Gamma^{-1} E \left\{ z_m (w(t-1)^T z_m)^3 \right\} - 3E \left\{ (w(t-1)^T z_m)^2 \right\} w(t-1)$$

where $\Gamma = I + \sigma^2 (\Lambda - \sigma^2 I)^{-1}$

$$\text{Normalize } w(t) : w(t) = \frac{w(t)}{\sqrt{w(t)^T \Gamma w(t)}}$$

If $|w(t)^T w(t-1)| < (1 - 10^{-4})$, let $t = t+1$ and go to step 3.

4. Output the estimated desired user's bit: $\hat{b}_{k,m} = \text{sgn}(Z_m)$

5. Simulation Results

In this section, we present the simulation results of the proposed Noisy-Independent Component Analysis (N-ICA) based Interleaved Division Multiple Access (IDMA) presented in this paper. In all simulation results, the following notations have been adopted:

It is the iterations number used in IDMA block. T represents the percentage of load rate defined by the ratio between the number of users and the spreading factor (K/C). IDMA is the conventional IDMA receiver described in Section 2.

IDMA-ICA is the hybrid structure described in [12]. IDMA-N-ICA is the proposed hybrid structure described in Section 3 using the noisy fast ICA algorithm.

To evaluate the detection and separation ability of the proposed N-ICA model, performances are presented in terms of raw Bit Error Rate (BER) before decoding for different Signal to Noise Ratios (SNR). We consider a time varying channel, BPSK modulation and Gold spreading codes of length C . Among the parameters that influence the performances are the effect of load rate and the number of iterations for IDMA block. The obtained results are presented in **Figures 2-6**.

In **Figures 2** and **3** we show a comparison between our proposed post processor N-ICA and the IDMA receiver for single path and multipath channel respectively.

In **Figure 4**, performances of our proposed receiver are presented for different values of τ (rate of load) and a spreading factor of 63.

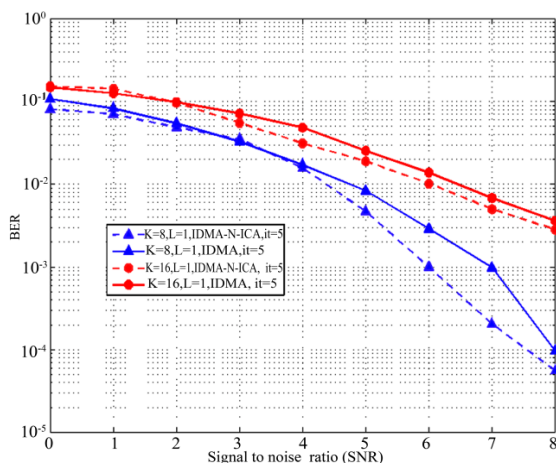


Figure 2. Performance comparison between IDMA-N-ICA and IDMA systems in single path.

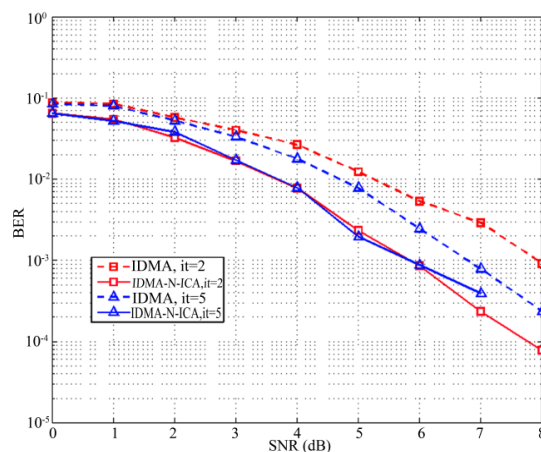


Figure 5. Performance comparison between IDMA-N-ICA and IDMA receiver when $c = 31$ and $\tau = 50\%$.

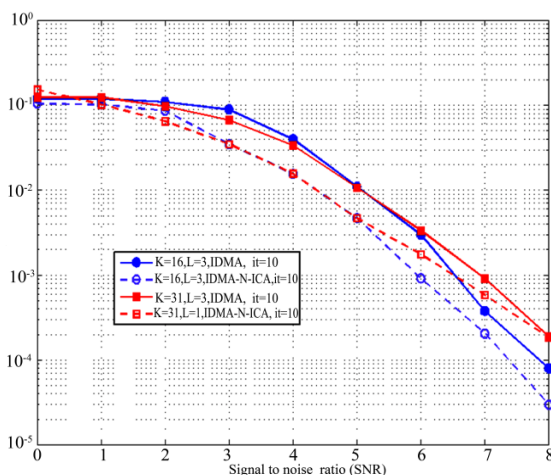


Figure 3. Performance comparison between IDMA-N-ICA and IDMA systems in single path.

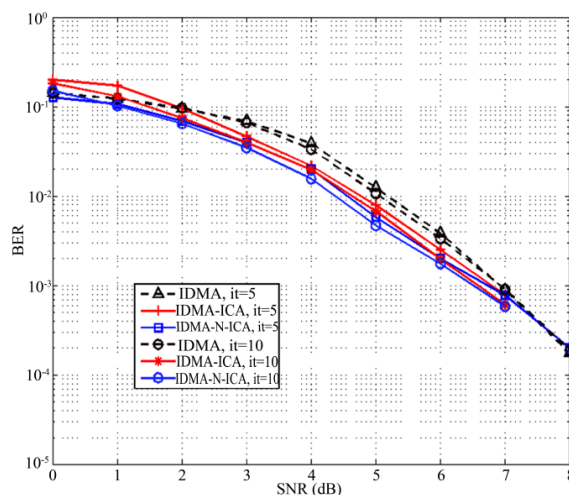


Figure 6. Performance comparison between IDMA-N-ICA and IDMA receiver when $c = 31$ and $\tau = 100\%$.

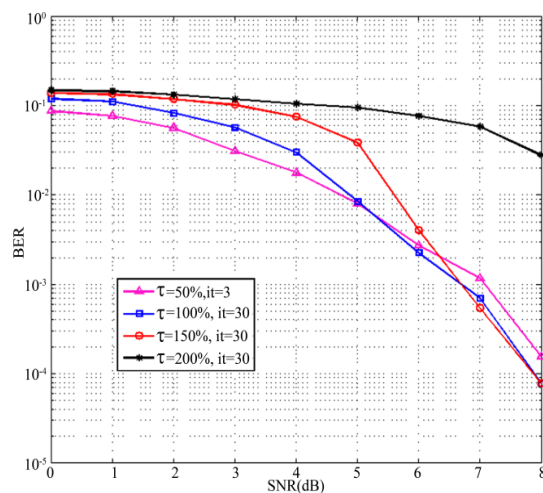


Figure 4. IDMA-N-ICA performance comparison for different rate load and $C = 63$.

We notice that our proposed scheme handles very well the MAI interferences since convergence is warranted even at very loaded systems ($\tau 100\%$).

Figure 5 shows the added value of our proposed post-processor N-ICA when compared to the conventional IDMA receiver for loading rate 50% and for a spreading factor of 31. We notice that both convergence speed and better BER performances are achieved. Therefore, the proposed N-ICA approach can be employed in high loading rate in order to improve the performance of the system in terms of quality of service. Moreover, in case of low loading rate (50%), the proposed post processor allows a reduction in the number of iterations needed by the IDMA block leading to complexity reduction of the overall receiver.

In the last simulation scenario, we evaluate the added value of the noisy ICA post processor over the ICA post processor. Figure 6 provides a comparison between

IDMA, IDMA-ICA and IDMA-N-ICA receivers when the spreading factor is 31 and the load rate is 100%. When SNR is low, N-ICA outperforms the ICA post processor. However, when SNR is high, both receivers present the same performance. These observations are expected since N-ICA takes into account the presence of noise.

It is worth noting also that both IDMA-ICA and IDMA-N-ICA receivers outperforms the conventional IDMA receiver.

6. Conclusions

In this paper, N-ICA post processor is proposed in IDMA context. N-ICA algorithm constitutes an efficient tool for symbol recovery and it offers an efficient alternative to the IDMA systems with block channel estimation.

The major contribution of this work is the application of blind detection technique in the IDMA context. The proposed algorithm has better performance compared to the IDMA receiver in loaded systems because it allows dimension reduction (PCA) which helps to reduce the amount of noise in the system.

For unloaded systems, the proposed post processor allows a complexity reduction by reducing the number of iterations needed by the IDMA block. In future work, to better analyze the complexity of the proposed scheme, FPGA implementation of IDMA and proposed post processor will be realized.

7. References

- [1] P. Li, L. Liu, K. Wu and W. K. Leung, "Interleave Division Multiple Access," *IEEE Transactions on Wireless Communication*, Vol. 5, No. 4, 2006, pp. 938-945.
- [2] I. Mahafeno, C. Langlais and C. Jego, "Reduced Complexity Iterative Multi-User Detector for IDMA (Interleave Division Multiple Access) System," *Proceedings of IEEE Global telecommunication Conference*, Vol. 1, San Francisco, 2006, pp. 530-540.
- [3] H. Schoeneich and P. Hoeher, "Semi-Blind Pilot-layer Aided Channel Estimation with Emphasis on Interleave Division Multiple Access Systems," *Proceedings of IEEE Global telecommunication Conference*, Vol. 3, St. Louis, 2005, pp. 110-118.
- [4] T. Ristaniemi and J. Joutsensalo, "Advanced ICA Based Receivers for DS-CDMA Systems," *Signal Processing*, Vol. 82, 2002, pp. 417-431.
- [5] M. Gupta and B. Santhanam, "ICA Based Blind Adaptive MAI Suppression in DS-CDMA Systems," *Proceedings of IEEE-DSP Workshop*, New Mexico, 2004, pp. 204-210.
- [6] J.-F. Cardoso, "Blind Signal Separation: Statistical Principles," *Proceedings of the IEEE*, Vol. 86, No.10, June 1978, pp. 2009-2025.
- [7] A. Hyvarinen, "Fast and Robust Fixed-Point Algorithms for Independent Component Analysis," *IEEE Transactions on Neural Networks*, Vol. 10, No. 3, 1999, pp. 626-634.
- [8] T. Huovinen, A. Shahed and M. Valkama, "Blind Diversity Reception and Interference Cancellation Using ICA," *Proceedings of International Conference on Acoustics, Speech and Signal Processing*, Vol. 3, 2007, pp. 685-688.
- [9] A. O. Dahmane, "A New MMSE Based Cascade Filter MUD Tracking Mode in Time-Varying Channels," *Proceedings of IEEE Conference on Wireless and Mobile Computing, Networking and Communications*, Vol.5, 2005, pp. 103-107.
- [10] M. E. Davies, "Identifiability Issues in Noisy ICA," *Proceedings of IEEE Signal Processing letters*, Vol. 11, No. 5, 2004, pp. 470-473.
- [11] O. Ekici and A. Yongacoglu, "Application of Noisy Independent Component Analysis for CDMA Signal Separation," *Proceedings of IEEE-DSP Workshop*, Vol. 3, July 2004, pp. 3812-3816.
- [12] A. Hamza, G. Salut and S. Chitroub, "Independent Component Analysis in IDMA Systems," *Proceedings of IEEE NEWCAS-TAISA*, Toulouse, July 2009, pp. 64-68.
- [13] R. H. Mahadevappa, "Interference Cancellation Technique for Multi-User Communication System", PhD thesis, Northeastern University, Massachusetts, 2002.