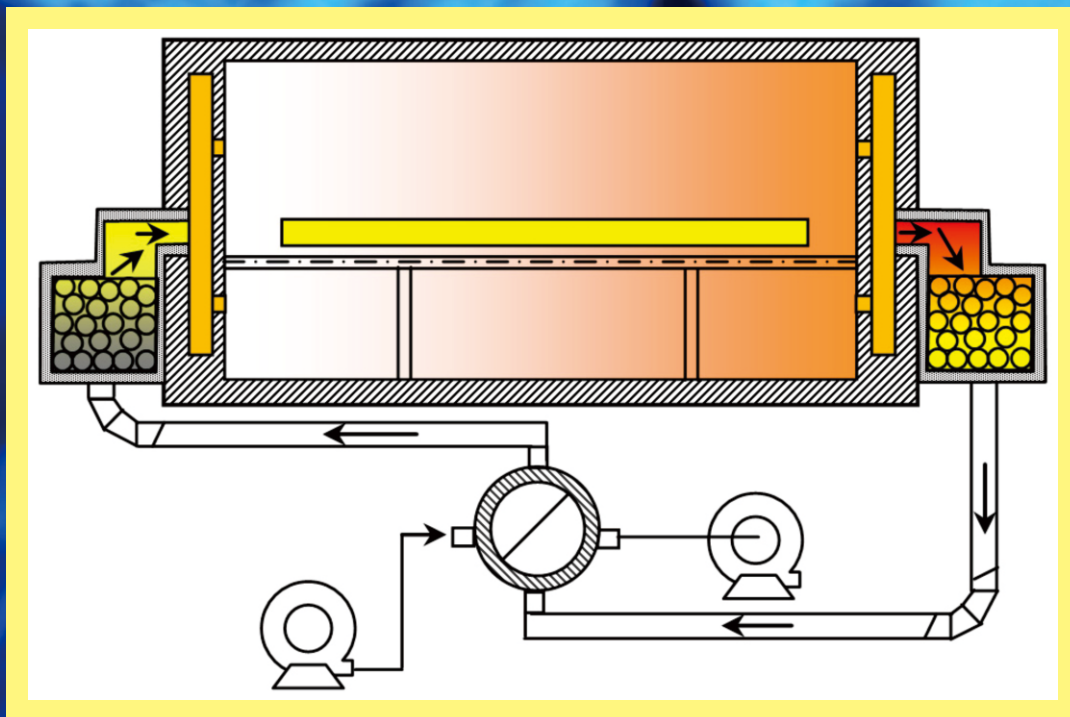


Open Journal of Applied Sciences



ISSN: 2165-3917



TABLE OF CONTENTS

Volume 2 Number 2

June 2012

Using AC Conductivity Measurements to Study the Influence of Mechanical Stress on the Strength of Geomaterials	
I. Stavrakas, K. Moutzouris, K. Ninos, N. Mitritsakis, Z. Agioutantis, D. Triantis.....	61
Development of Radio Frequency Heating Technology for Shale Oil Extraction	
Y. Pan, C. Chen, S. C. Yang, G. Y. Ma.....	66
Synthesis and Characterisations of TiO₂ Coated Multiwalled Carbon Nanotubes/Graphene/Polyaniline Nanocomposite for Supercapacitor Applications	
D. Ghosh, S. Giri, S. Kalra, C. K. Das.....	70
Electrochemical Degradation of Chlorsulfuron Herbicide from Water Solution Using Ti/IrO₂-Pt Anode	
X. Guo, Y. N. Yang, C. P. Feng, M. Li, R. Z. Chen, J. L. Li, Z. Y. Zhang.....	78
Photocatalytic Treatment of Microcystin-LR-Containing Wastewater Using Pt/WO₃ Nanoparticles under Simulated Solar Light	
C. Zhao, Y. N. Yang, Z. Y. Zhang.....	86
Synthesis and Surface Activity of Cashew-Based Anion-Nonionic Surfactants	
H. Y. Li, J. Wang, C. H. Liu, J. Han, C. Q. Li, M. M. Ning.....	93
Drug-DNA Interaction: A Theoretical Study of the Stability of CP-DNA Binding with Thionine	
G. Yunus, S. Srivastava, V. D. Gupta.....	98
Theoretical Derivation of Thermal Value Equations for Heating Furnaces	
H. N. Wu, W. Q. Sun, J. J. Cai.....	104
Computer Administering of the Psychological Investigations: Set-Relational Representation	
K. Yordzhev, I. Peneva.....	110
Collocation Method for Nonlinear Volterra-Fredholm Integral Equations	
A. A. J. Akbarfam, P. Darania, J. A. Shali.....	115

The figure on the front cover is from the article published in Open Journal of Applied Sciences, 2012, Vol. 2, No. 2, pp. 104-109 by Hainan Wu, Wenqiang Sun and Jiuju Cai.

Open Journal of Applied Sciences (OJAppS)

Journal Information

SUBSCRIPTIONS

The *Open Journal of Applied Sciences* (Online at Scientific Research Publishing, www.SciRP.org) is published quarterly by Scientific Research Publishing, Inc., USA.

Subscription rates:

Print: \$39 per issue.

To subscribe, please contact Journals Subscriptions Department, E-mail: sub@scirp.org

SERVICES

Advertisements

Advertisement Sales Department, E-mail: service@scirp.org

Reprints (minimum quantity 100 copies)

Reprints Co-ordinator, Scientific Research Publishing, Inc., USA.

E-mail: sub@scirp.org

COPYRIGHT

Copyright©2012 Scientific Research Publishing, Inc.

All Rights Reserved. No part of this publication may be reproduced, stored in a retrieval system, or transmitted, in any form or by any means, electronic, mechanical, photocopying, recording, scanning or otherwise, except as described below, without the permission in writing of the Publisher.

Copying of articles is not permitted except for personal and internal use, to the extent permitted by national copyright law, or under the terms of a license issued by the national Reproduction Rights Organization.

Requests for permission for other kinds of copying, such as copying for general distribution, for advertising or promotional purposes, for creating new collective works or for resale, and other enquiries should be addressed to the Publisher.

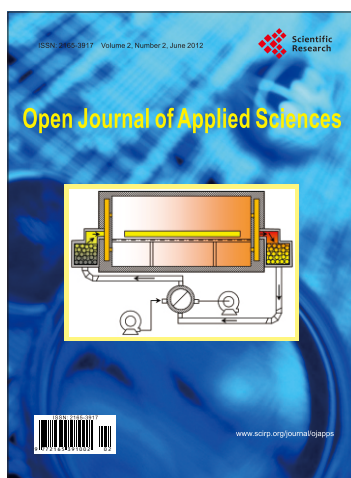
Statements and opinions expressed in the articles and communications are those of the individual contributors and not the statements and opinion of Scientific Research Publishing, Inc. We assume no responsibility or liability for any damage or injury to persons or property arising out of the use of any materials, instructions, methods or ideas contained herein. We expressly disclaim any implied warranties of merchantability or fitness for a particular purpose. If expert assistance is required, the services of a competent professional person should be sought.

PRODUCTION INFORMATION

For manuscripts that have been accepted for publication, please contact:

E-mail: ojapps@scirp.org

Call for Papers



Open Journal of Applied Sciences

ISSN 2165-3917 (print) ISSN 2165-3925 (online)

www.scirp.org/journal/ojapps

Open Journal of Applied Sciences (OJAppS) is an international peer-reviewed journal publishing in English original research studies, reviews in diverse areas of applied sciences. The goal of this journal is to provide a platform for scientists and academicians all over the world to promote, share, and discuss various new issues and developments in applied sciences and to keep a record of the state-of-the-art research in related

Subject Coverage

The journal publishes original papers including but not limited to the following fields:

- Applied Acoustics
- Applied Behavioral Science
- Applied Biochemistry
- Applied Biology
- Applied Catalysis
- Applied Chemistry
- Applied Climatology
- Applied Cognitive Psychology
- Applied Crystallography
- Applied Ecology
- Applied Econometrics
- Applied Economics
- Applied Electrochemistry
- Applied Entomology
- Applied Ergonomics
- Applied Finance
- Applied Genetics
- Applied Geochemistry
- Applied Geography
- Applied Geomatics
- Applied Geophysics
- Applied Gerontology
- Applied Ichthyology
- Applied Immunology
- Applied Intelligence
- Applied Linguistics
- Applied Mathematics
- Applied Mechanics
- Applied Microbiology
- Applied Nanoscience
- Applied Neurobiology
- Applied Ocean Research
- Applied P

We are also interested in: 1) Short Reports—2-5 page papers where an author can either present an idea with theoretical background but has not yet completed the research needed for a complete paper or preliminary data; 2) Book Reviews—Comments and critiques.

Notes for Intending Authors

Submitted papers should not have been previously published nor be currently under consideration for publication elsewhere. Paper submission will be handled electronically through the website. All papers are refereed through a peer review process. For more details access the website.

Website and E-Mail

<http://www.scirp.org/journal/ojapps>

E-mail: ojapps@scirp.org