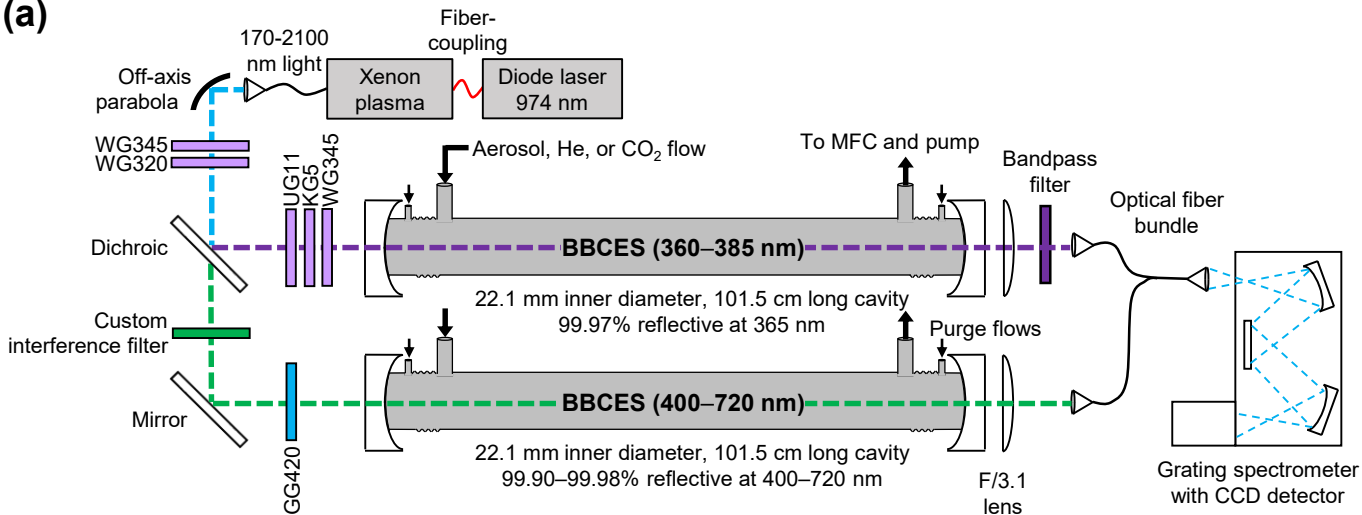
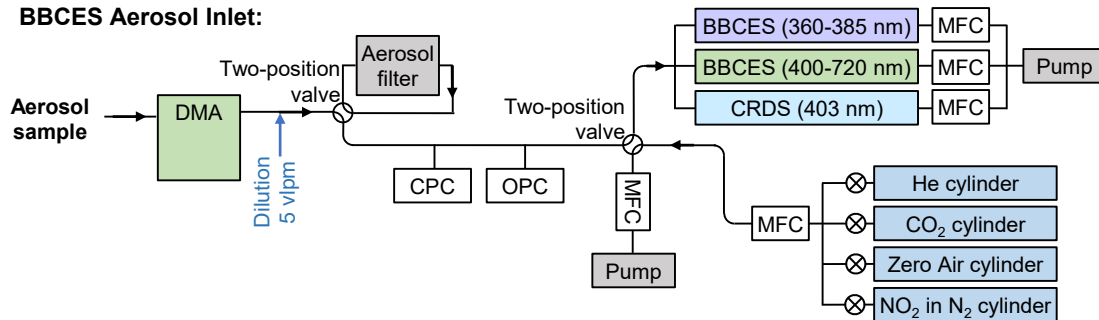


(a)**(b)****BBCEs Aerosol Inlet:****(c)****NOAA Shared Aerosol Inlet:**