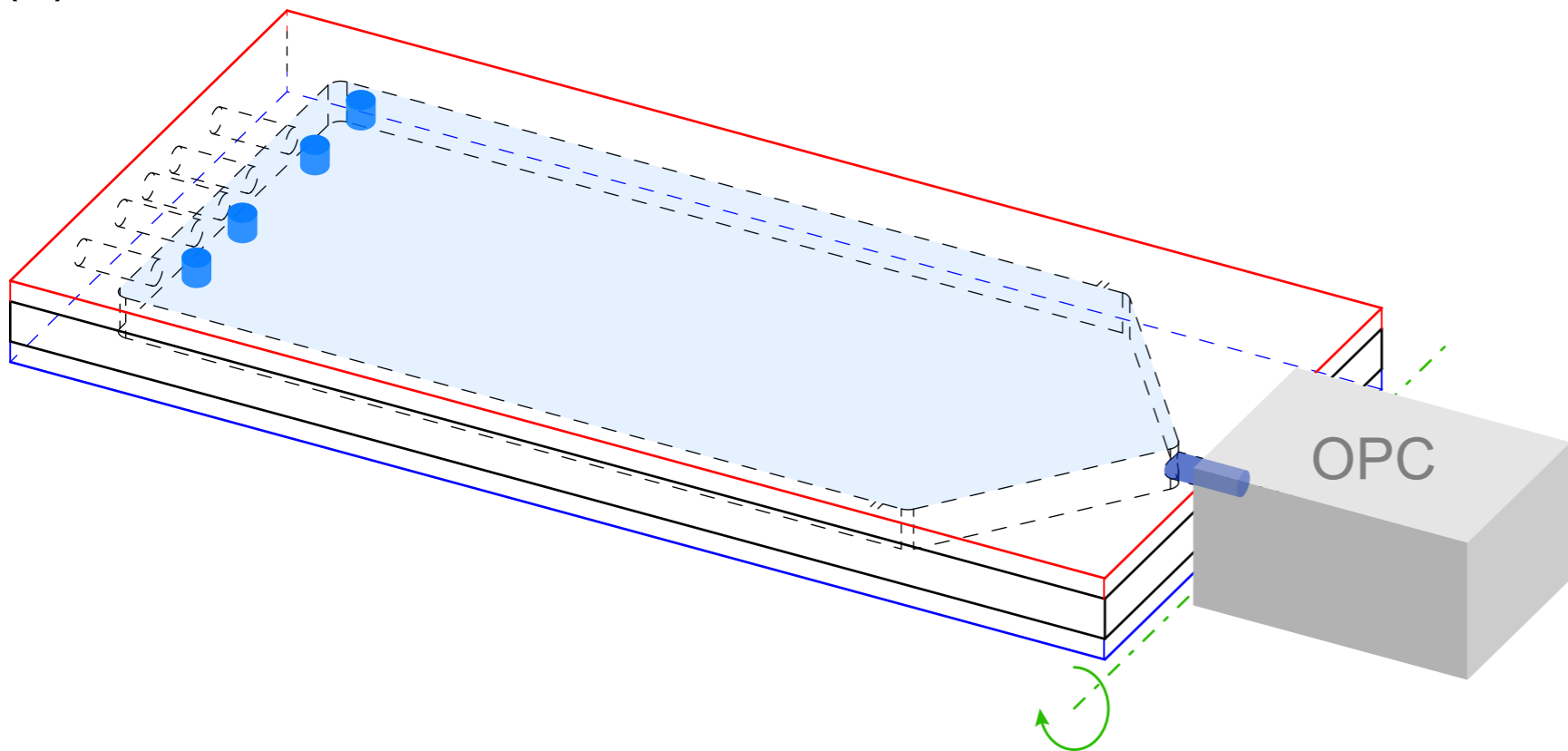


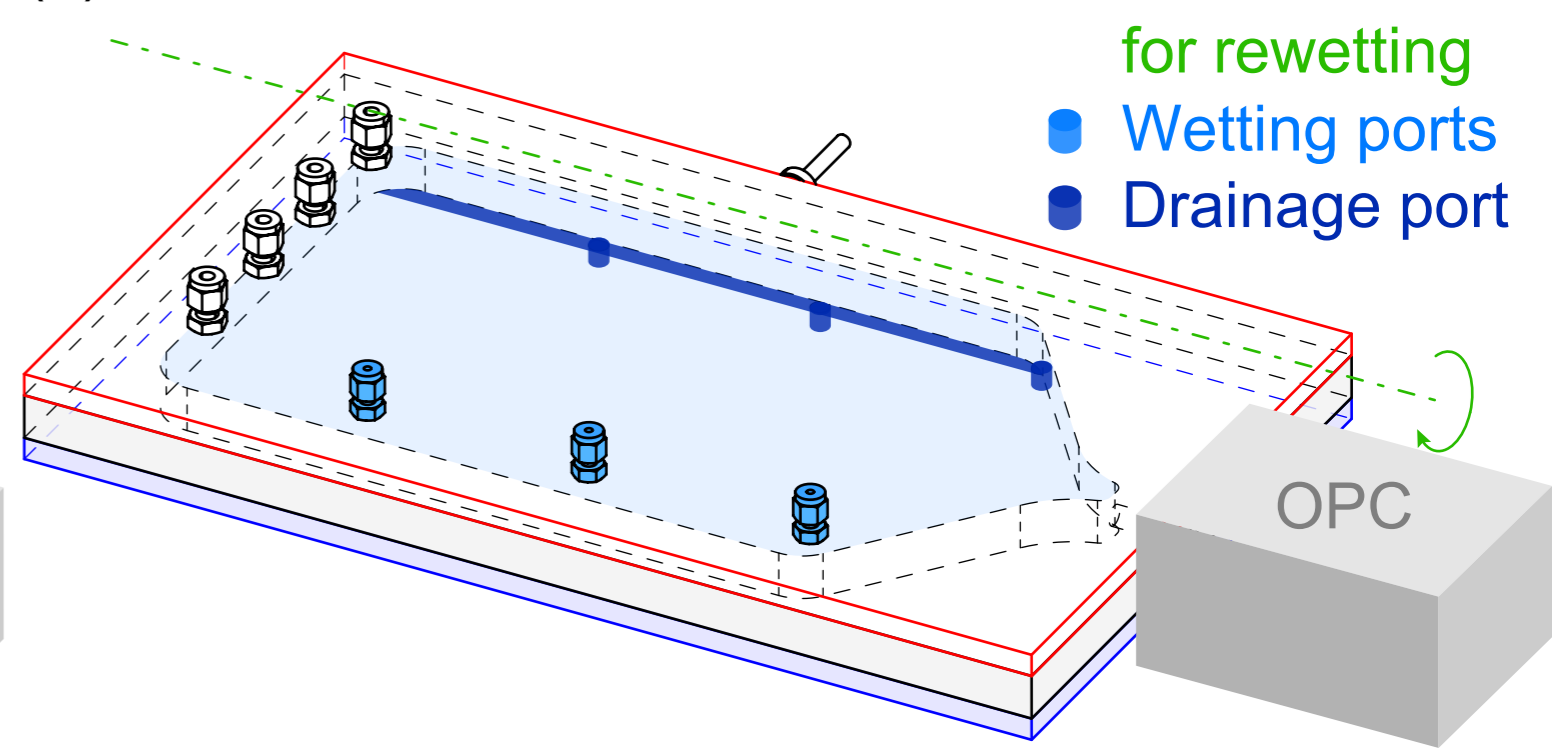
(a)

HINC



(b)

HINC-Auto



- Axis of rotation for rewetting
- Wetting ports
- Drainage port