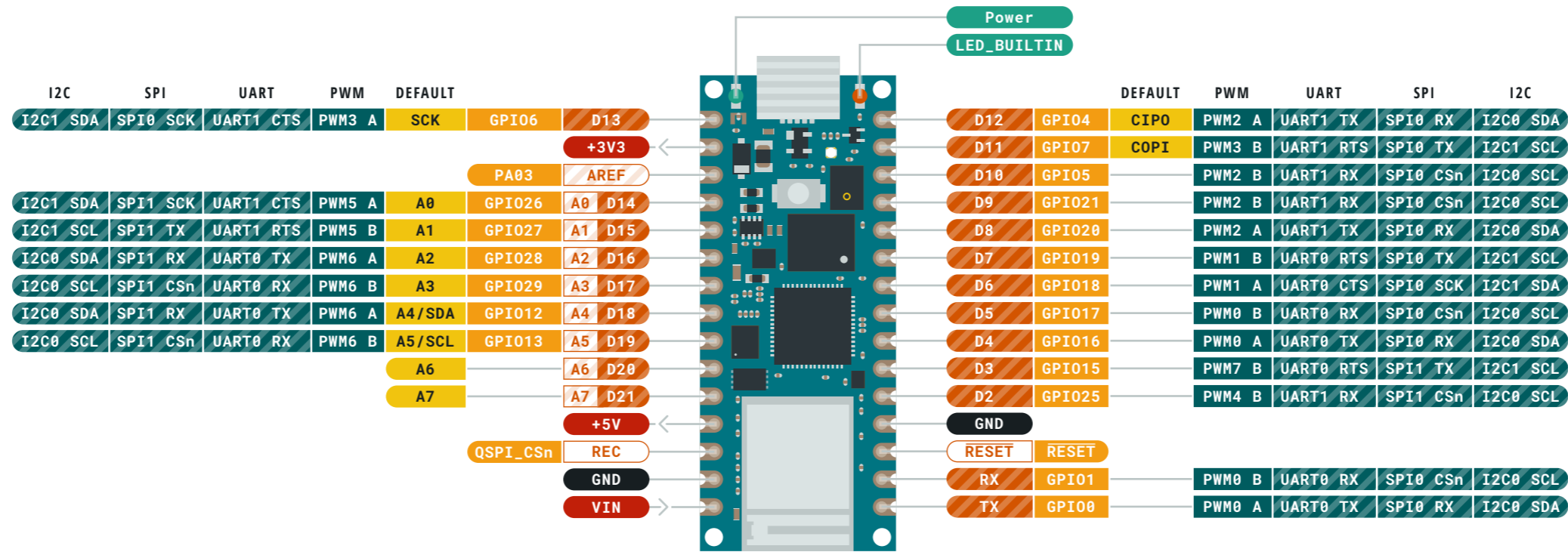


- Ground
- Power
- LED
- Internal Pin
- SWD Pin
- Digital Pin
- Analog Pin
- Other Pin
- Microcontroller's Port
- Default

- ⚠ **MAXIMUM** I/O supply voltage is 3.63V
- ⚠ **MAXIMUM** GPIO input voltage is 3.3V
- ⚠ **MAXIMUM** sum of all current being sunk into GPIO and QSPI pins is 50mA

VIN Input voltage to the board.



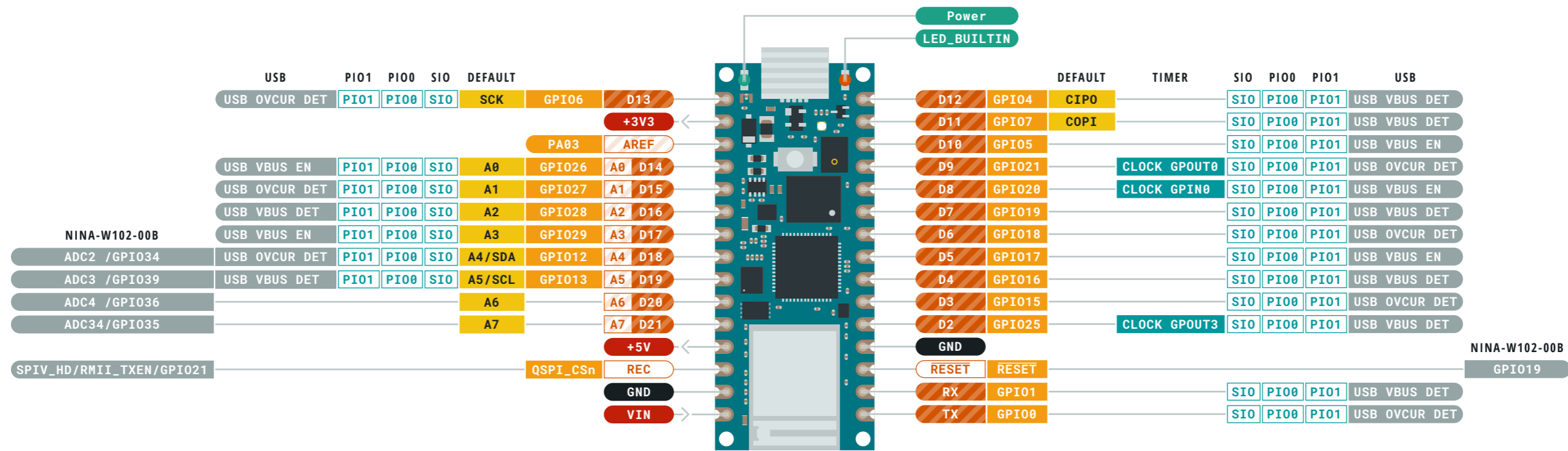


- Ground
- Power
- LED
- Internal Pin
- SWD Pin
- Digital Pin
- Analog Pin
- Other Pin
- Microcontroller's Port
- Default
- Analog
- Communication
- Timer
- GPIO

- ⚠ **MAXIMUM** I/O supply voltage is 3.63V
- ⚠ **MAXIMUM** GPIO input voltage is 3.3V
- ⚠ **MAXIMUM** sum of all current being sunk into GPIO and QSPI pins is 50mA

VIN Input voltage to the board.



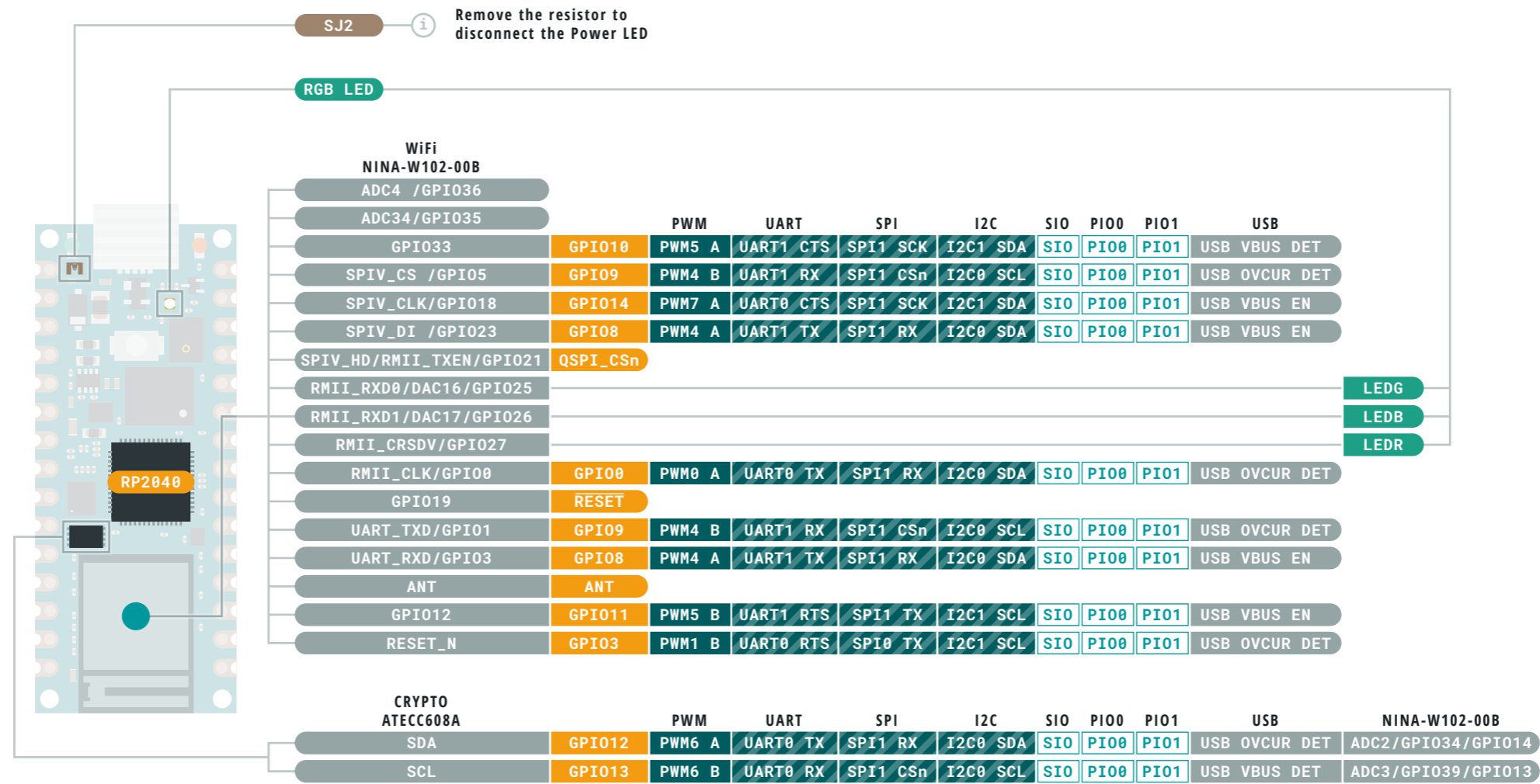


- Ground
- Power
- LED
- Internal Pin
- SWD Pin
- Digital Pin
- Analog Pin
- Other Pin
- Microcontroller's Port
- Default
- Analog
- Communication
- Timer
- GPIO

- ⚠ **MAXIMUM** I/O supply voltage is 3.63V
- ⚠ **MAXIMUM** GPIO input voltage is 3.3V
- ⚠ **MAXIMUM** sum of all current being sunk into GPIO and QSPI pins is 50mA

VIN Input voltage to the board.

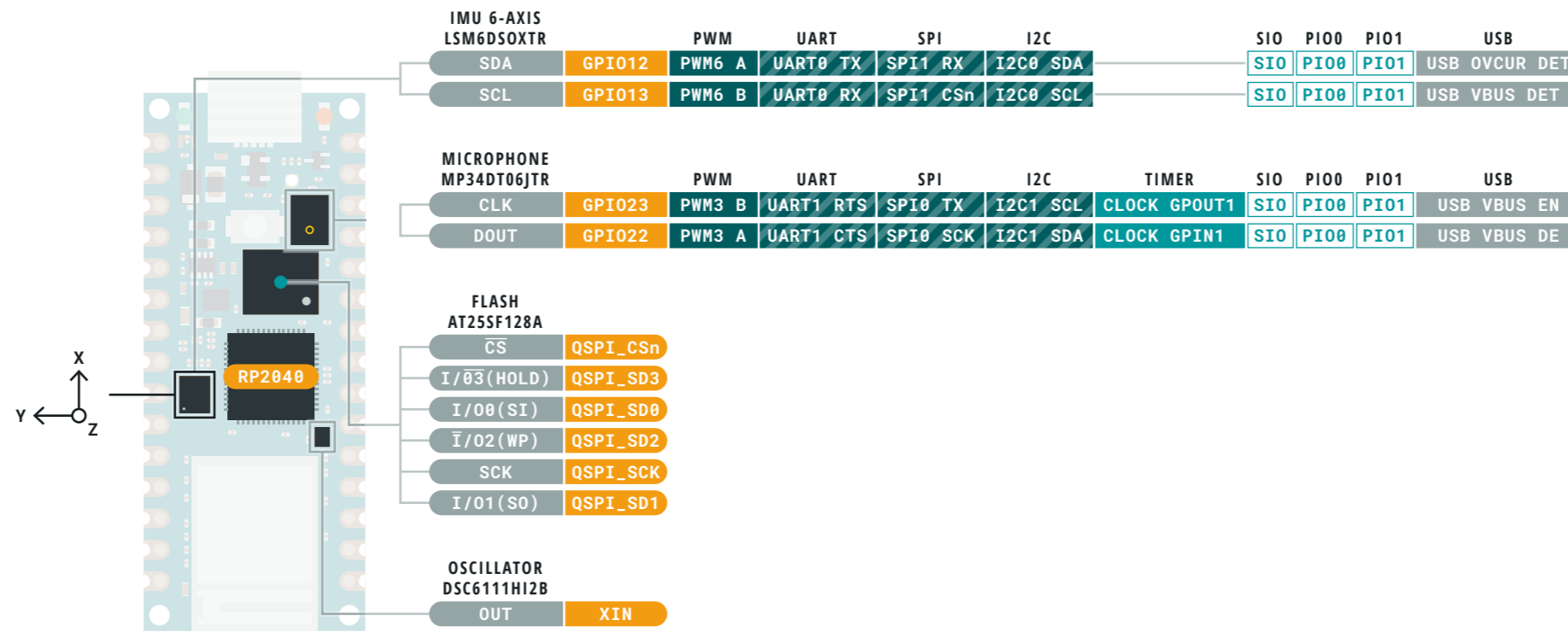




	Ground		Digital Pin		Analog
	Power		Analog Pin		Communication
	LED		Other Pin		Timer
	Internal Pin		Microcontroller's Port		GPIO
	SWD Pin		Default		

- MAXIMUM** I/O supply voltage is 3.63V
 - MAXIMUM** GPIO input voltage is 3.3V
 - MAXIMUM** sum of all current being sunk into GPIO and QSPI pins is 50mA
- VIN** Input voltage to the board.



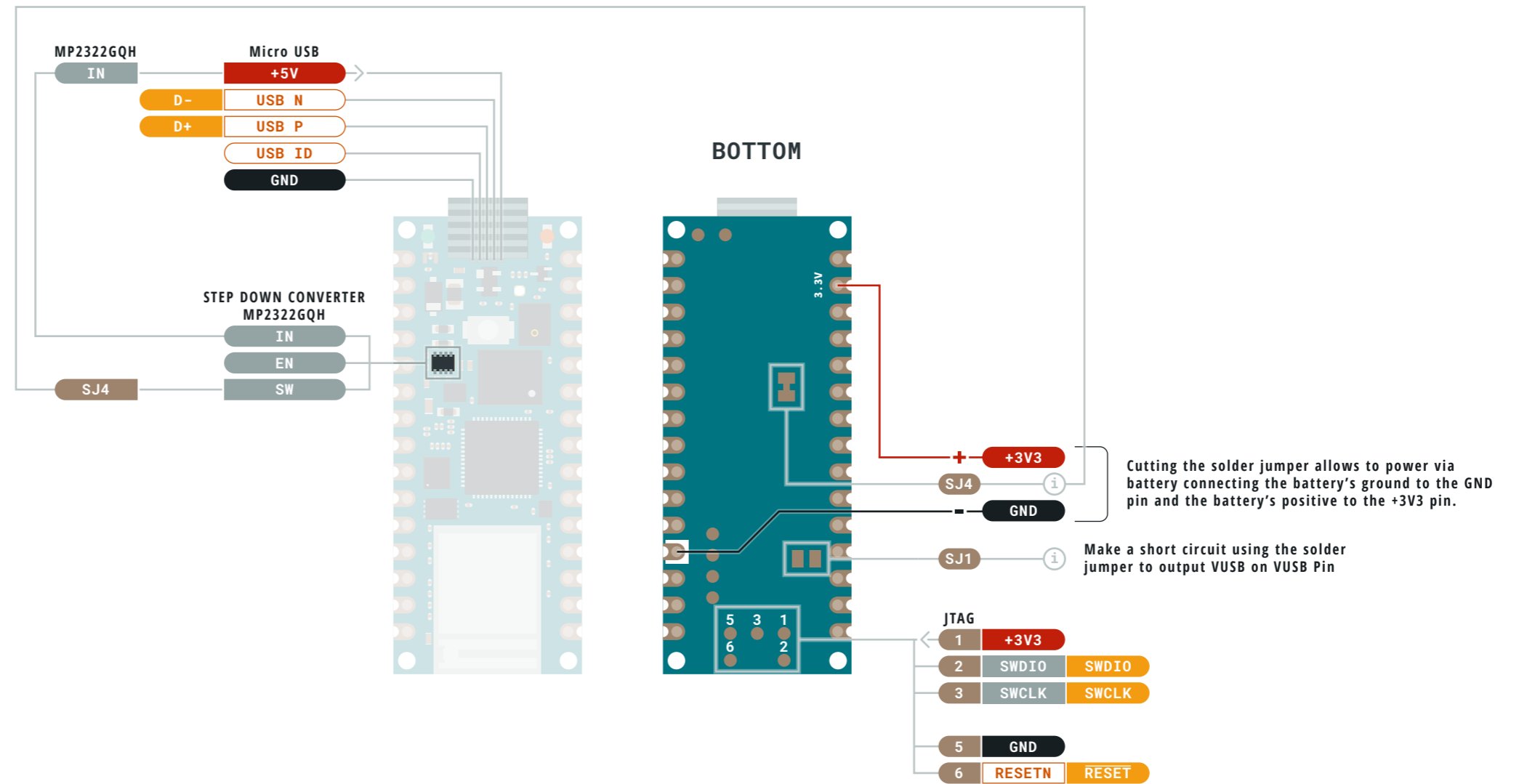


- Ground
- Power
- LED
- Internal Pin
- SWD Pin
- Digital Pin
- Analog Pin
- Other Pin
- Microcontroller's Port
- Default
- Analog
- Communication
- Timer
- GPIO

- ⚠ **MAXIMUM** I/O supply voltage is 3.63V
- ⚠ **MAXIMUM** GPIO input voltage is 3.3V
- ⚠ **MAXIMUM** sum of all current being sunk into GPIO and QSPI pins is 50mA

VIN Input voltage to the board.





- Ground
- Power
- LED
- Internal Pin
- SWD Pin
- Digital Pin
- Analog Pin
- Other Pin
- Microcontroller's Port
- Default

- ⚠ **MAXIMUM** I/O supply voltage is 3.63V
- ⚠ **MAXIMUM** GPIO input voltage is 3.3V
- ⚠ **MAXIMUM** sum of all current being sunk into GPIO and QSPI pins is 50mA

VIN Input voltage to the board.

