

**Bentley**  
Advancing Infrastructure



## Promis.e®

Advance Your Electrical Design with Intelligent Modeling

Promis.e is an intelligent 2D/3D electrical system design application that delivers projects faster and with fewer errors than traditional CAD. Promis.e automates tedious drafting and employs an intelligent model that cross-references schematics, 2D layouts, 3D equipment models, and reports. The application is used around the world to design industrial machine controls as well as electrical systems for process plants, mines, and rail signaling.

### The CONNECT Edition

The SELECT® CONNECT Edition includes SELECT CONNECT services, new Azure-based services that provide comprehensive **learning, mobility, and collaboration** benefits to every Bentley application subscriber. *Adaptive Learning Services* helps users master use of Bentley applications through CONNECT Advisor, a new in-application service that provides contextual and personalized learning. *Personal Mobility Services* provides unlimited access to Bentley apps, ensuring users have access to the right project information when and where they need it. *ProjectWise® Connection Services* allow users to securely share application and project information, to manage and resolve issues, and to create, send, and receive transmittals, submittals, and RFIs.

### Project-based Workflow Supports Intelligent Designs

Promis.e organizes work into projects, linking drawing pages for cross referencing, error checking, and list generation. Changes made to one part of the project are automatically reflected in the rest of the project.

### Schematic Design Tools Save Time

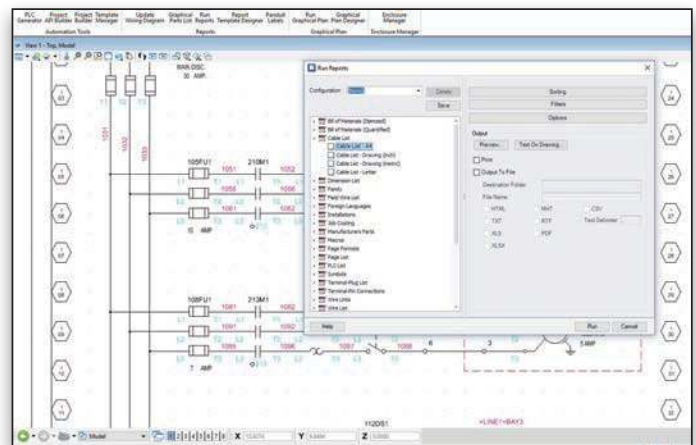
With built-in symbol libraries, macros, and cut-and-paste capabilities, Promis.e provides quick generation of control system schematics. System logic also provides automatic device ID assignment, real-time automatic cross referencing, automatic wire numbering, and error checking. Users can also automatically generate schematics from commands stored in a spreadsheet file. Truly an international product, Promis.e comes equipped with standard IEC and ANSI-IEEE page formats. Symbol libraries are available for ANSI and IEC electrical applications as well as for hydraulic, pneumatic, and process control drawings.

### Error Checking Improves Design Quality

As drawings are created, Promis.e alerts the user to possible errors, which reduces the amount of manual checking, improves the overall accuracy of the drawing, and prevents costly corrections. Error conditions include short circuits, gaps in the circuit, duplicate device IDs, duplicate wire numbers, missing part numbers, missing cross references, and over-assigned contacts.

### Parts Database Integrates Engineering Data

Promis.e includes a parts database that allows users to associate components in the design with specific parts information. It also facilitates the generation of



*A project-based workflow organizes and interconnects the design.*

parts lists, panel layouts, and other documents. Parts database files are available for many leading equipment manufacturers, which saves project team members from having to manually enter data. Users can also import existing parts data, including parts data and attributes from OpenPlant and AutoPLANT®.

### Fast and Accurate Report Generation

A parts database linked to the schematic provides superior documentation. This enables bills of material, purchase order lists, panel layouts, terminal plans, wire lists, and wiring diagrams to be generated automatically, based on drawings and other system information. This process decreases the number of errors, and quickly reflects all design revisions in the reports.

### Interoperability for Multidiscipline Distributed Engineering

With Promis.e, users can exchange project data with other applications such as OpenPlant, AutoPLANT, Bentley Instrumentation and Wiring, Bentley Raceway and Cable Management, and PLC programming software. Promis.e integrates with ProjectWise Design Integration to accelerate information worksharing and content reuse for multidiscipline design coordination and collaboration.

### Wire Sizing Saves Materials and Energy Costs

Promis.e includes the ability to analyze and set wire sizes for each run. By planning for appropriate sizing early, designers can provide the facility with lower CAPEX through optimal wiring purchases and control OPEX through lower utility costs. With Promis.e, electrical design theory and practice help engineers support operations.

## System Requirements

### Operating System

Windows 10 (64-bit)

Windows 8.1 (64-bit)

Windows 7 SP1 (64-bit)

Windows Server 2016 (64 bit)

Windows Server 2012 R2 (64 bit)

Windows Server 2008 R2 SP1 (64 bit) - Standard and Enterprise

### Supported Databases

SQL Server 2017

SQL Server 2016

SQL Server 2014

SQL Server 2012

An Express version of SQL Server is included

### Processor

Intel® or AMD® processor 1.0GHz or greater. Promis.e is not supported on a CPU that does not support SSE2.

### Memory

16 GB minimum, 32 GB recommended

### Hard Disk

24 GB free disk space (which includes the 16 GB install footprint for a complete installation)

### Video

1 GB of video RAM or higher

24-bit or higher graphics display color depth

**Find out about Bentley at: [www.bentley.com](http://www.bentley.com)**

### Contact Bentley

1-800-BENTLEY (1-800-236-8539)  
Outside the US +1 610-458-5000

### Global Office Listings

[www.bentley.com/contact](http://www.bentley.com/contact)

## Promis.e At-A-Glance

### General/System Features

- Online tutorial
- Available in English, Chinese, German, Russian
- Command protection
- One-click navigation
- Search tool
- Fully open API
- Floating network license
- Project-wide data edit
- Integrates with ProjectWise Design Integration for comprehensive worksharing and collaboration
- Can operate in Citrix environment (XenApp 5.0 or 6.0)

### Drawing/Design Features

- Project-based design organization
- ANSI/IEEE or IEC electrical symbol catalog included
- Optional catalogs: hydraulic, pneumatic, and ISA
- Manufacturers parts databases and symbol catalog
- Import parts data and attributes from AutoPLANT
- Ladder builder
- Global find/replace wire property
- User-definable device tag formats
- User-definable wire layering
- User-definable wire tag formats
- Cable termination diagrams
- Automated balloon callouts
- Panel layout mode
- BOM explorer
- Dynamic symbol text
- Global find/replace symbols and symbol properties
- Wire sizing tool
- Automatic component alignment
- Automatic wire numbering
- No page limits
- Automatic page numbering
- Automatic page save
- Automatic project copy
- Page copy, rename, move
- Global title block replace
- Automatic device tagging
- Custom symbol creation
- User-definable circuit macros and symbols
- Symbol migration tool
- AutoCAD block migration tool
- Intelligent off-page wire references

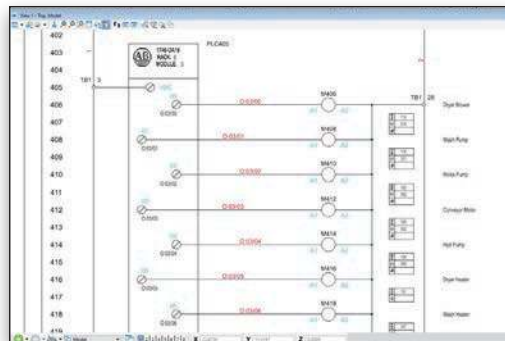
- Automatic wire/line break and heal
- Automated circuit copy
- Wire crossing/connection preferences
- User-definable wire property display
- Catalog manager
- Cable manager
- PLC schematic generator
- Automatic PLC addressing
- PLC I/O import
- Automated symbol rotation
- Real-time cross-referencing across multiple pages
- Multidiscipline collaboration
- Multiple undo/redo capabilities
- Instantaneous real-time error checking
- Forced wire routing
- Dynamic wire diagrams
- Terminal/pin-plug manager
- Cable export to Bentley Raceway and Cable Management
- Graphical terminal/pin-plug plans
- Spare parts utility
- Multilanguage drawing text
- Drawing mode manager
- Automatic wire routing
- Equipment numbers (generic part numbers)
- Export graphics and data through iModels

### Reports and Documentation

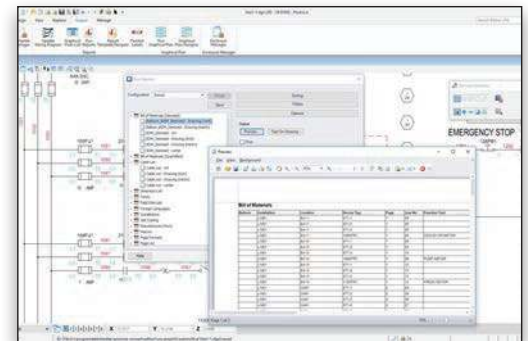
- Automatic report generation
- Bills of material
- Wire list
- Wire labels
- Wire length calculation reports
- Cable list
- Terminal-plug list
- PLC list
- Job costing report
- Field wire list
- Revision history reports
- Custom report designer
- Output reports to TXT, CSV, HTML, RTF, PDF, XLS, MHT files

### Special Utilities

- Project builder
- Komax wire wizard
- Panduit selection tool



*The cable diagrams in Promis.e display up-to-date connection information.*



*Users can automatically generate bills of material and other reports.*