

# Official Journal

## of the European Communities

ISSN 0378-6978

L 194

Volume 23

28 July 1980

English edition

## Legislation

### Contents

#### I Acts whose publication is obligatory

.....

#### II Acts whose publication is not obligatory

##### Council

80/720/EEC:

- ★ **Council Directive of 24 June 1980 on the approximation of the laws of the Member States relating to the operating space, access to the driving position and the doors and windows of wheeled agricultural or forestry tractors** ..... 1

80/721/EEC:

- ★ **Council Decision of 30 June 1980 on the conclusion of the Agreement between the European Economic Community and Sweden in respect of certain horticultural products negotiated under Article XXVIII of GATT** ..... 12

Agreement between the European Economic Community and Sweden in respect of certain horticultural products negotiated under Article XXVIII of GATT ..... 13

##### Commission

80/722/EEC:

- ★ **Commission Decision of 13 June 1980 supplementing Decision 79/833/EEC laying down, for the purposes of the survey on the structure of agricultural holdings for 1979/80, the Community outline of a schedule of tables together with the standard code and rules for the transcription on to magnetic tape of the data contained in these tables** ..... 19

1

Acts whose titles are printed in light type are those relating to day-to-day management of agricultural matters, and are generally valid for a limited period.

The titles of all other Acts are printed in bold type and preceded by an asterisk.

## II

(Acts whose publication is not obligatory)

## COUNCIL

## COUNCIL DIRECTIVE

of 24 June 1980

on the approximation of the laws of the Member States relating to the operating space, access to the driving position and the doors and windows of wheeled agricultural or forestry tractors

(80/720/EEC)

THE COUNCIL OF THE EUROPEAN COMMUNITIES,

Having regard to the Treaty establishing the European Economic Community, and in particular Article 100 thereof

Having regard to the proposal from the Commission <sup>(1)</sup>,

Having regard to the opinion of the European Parliament <sup>(2)</sup>,

Having regard to the opinion of the Economic and Social Committee <sup>(3)</sup>,

Whereas the technical requirements which tractors must satisfy pursuant to national laws relate *inter alia* to the operating space, access to the driving position (means of entry and exit), and the doors and windows;

Whereas these requirements differ from one Member State to another; whereas it is therefore necessary that all Member States adopt the same requirements, either in addition to or in place of their existing rules, in order in particular to allow the EEC type-approval procedure which forms the sub-

ject of Council Directive 74/150/EEC of 4 March 1974 on the approximation of the laws of the Member States relating to the type-approval of wheeled agricultural or forestry tractors <sup>(4)</sup>, as amended by Directive 79/694/EEC <sup>(5)</sup>, to be introduced in the case of each type of tractor,

HAS ADOPTED THIS DIRECTIVE:

*Article 1*

1. 'Agricultural or forestry tractor' means any motor vehicle fitted with wheels or endless tracks and having at least two axles, the main function of which lies in its tractive power and which is specially designed to tow, push, carry or power certain tools, machinery or trailers intended for agricultural or forestry use. It may be equipped to carry a load and passengers.

2. This Directive shall apply only to tractors defined in paragraph 1 which are fitted with pneumatic tyres and which have two axles, a maximum design speed of between six and 25 km/h and a minimum fixed or variable drive-axle track width of 1 150 mm or more.

<sup>(1)</sup> OJ No C 25, 29. 1. 1979, p. 30.

<sup>(2)</sup> OJ No C 127, 21. 5. 1979, p. 80.

<sup>(3)</sup> OJ No C 227, 10. 9. 1979, p. 34.

<sup>(4)</sup> OJ No L 84, 28. 3. 1974, p. 10.

<sup>(5)</sup> OJ No L 205, 13. 8. 1979, p. 17.

*Article 2*

No Member State may refuse EEC type-approval or national type-approval of a tractor or refuse or prohibit the sale, registration, entry into service or use of a tractor on grounds relating to:

- the operating space,
- access to the driving position (means of entry and exit),
- doors and windows,

where these comply with the requirements of Annex I.

*Article 3*

Any amendments necessary to adapt the requirements of Annex I to technical progress shall be adopted in accordance with the procedure laid down in Article 13 of Directive 74/150/EEC.

*Article 4*

1. Member States shall bring into force the provisions necessary in order to comply with this Directive within 18 months of its notification and shall forthwith inform the Commission thereof.
2. Member States shall ensure that the texts of the main provisions of national law which they adopt in the field covered by this Directive are communicated to the Commission.

*Article 5*

This Directive is addressed to the Member States.

Done at Luxembourg, 24 June 1980.

*For the Council*  
*The President*  
S. FORMICA

*ANNEX I***I. Operating space**

- I.1. 'Operating space' means the minimum volume of space between any fixed parts of the structure which is available to the driver of the tractor to enable him to operate the tractor from his seat in any way required with complete safety.

'Seat reference point' means the reference point determined by the method described in Appendix 1.

'Reference plane' means the plane parallel to the median longitudinal plane of the tractor passing through the seat reference point.

- I.2. The width of the operating space must be at least 900 mm, from 400 to 900 mm above the reference point and over a length of 450 mm forward of this point (see Figures 2 and 3).

- I.3. Vehicle parts and accessories must not hamper the driver when driving the tractor.

- I.4. For all positions of the steering column and the steering wheel, the clearance between the base of the steering wheel and the fixed parts of the tractor must be at least 50 mm; in all other directions this clearance must be at least 80 mm from the rim of the steering wheel, as measured from outside the area occupied by the steering wheel (see Figure 2).

- I.5. The rear wall of the cab from 300 to 900 mm above the seat reference point must be a minimum of 150 mm behind a vertical plane which is perpendicular to the reference plane and passes through the reference point (see Figures 2 and 3).

This wall must have a width of at least 300 mm on either side of the seat reference plane (see Figure 3).

- I.6. The manual controls must be located in relation to one another and to the other parts of the tractor so that no danger of injury to the operator's hands arises from their operation.

Where the force required to operate a control exceeds 150 N, a clearance of 50 mm will be considered adequate and where the force is between 80 N and 150 N, a clearance of 25 mm will suffice. Any clearance will be accepted in relation to controls where the operating force required is less than 80 N (see Figure 3).

Alternative locations for the controls which achieve equally satisfactory safety standards are acceptable.

- I.7. No point on the roof must be less than 1 050 mm from the seat reference point in a section situated forward of a vertical plane passing through the reference point and perpendicular to the reference plane (see Figure 2).

**II. Access to the driving position (means of entry and exit)**

- II.1. It must be possible to use the means of entry and exit without danger. Wheel hubs, hub caps or wheel rims are not acceptable as steps or rungs.

- II.2. The points of access to the driving position and to the passenger seat must be free of any parts liable to cause injury. Where an obstruction such as a clutch pedal is present, a step or footrest must be provided to ensure safe access to the driving position.

- II.3. Steps, integral foot recesses and rungs must have the following dimensions:

depth clearance: 150 mm minimum,

width clearance: 250 mm minimum,

(Values lower than this minimum width are authorized only where justified as being necessary on technical grounds. Where this is the case, the aim must be to achieve the greatest possible width clearance. It must not, however, be less than 150 mm.)

height clearance: 120 mm minimum,

distance between  
surface of two steps: 300 mm maximum (see Figure 4).

- II.4. The upper step or rung must be easily identifiable and accessible for a person leaving the vehicle. The vertical distance between successive steps or rungs must as far as possible be equal.
- II.5. Appropriate handholds must be provided for all the means of entry and exit.
- II.6. The lowest foothold must not be more than 550 mm above the ground when the tractor is fitted with the largest tyre size recommended by the manufacturer (see Figure 4). Steps or rungs must be designed and constructed in such a way that feet will not slip on them.

### III. Doors, windows and emergency exits

- III.1. The devices operating the doors and windows must be designed and installed in such a way that they neither constitute a danger to the driver nor impede him while driving.
- III.2. The opening angle of the door must permit entry and exit without danger.
- III.3. Ventilation windows must be easily adjustable.
- III.4. Cabs normally have a door on each side.
- III.5. Two-door cabs must have one extra exit constituting an emergency exit.

Single-door cabs must have two extra exits constituting emergency exits.

Each of the three exits must be on a different cab wall (the term 'wall' may include the roof). Windscreens and side, rear and roof windows may be regarded as emergency exits if provision is made to open them quickly from inside the cab.

The surrounds of emergency exits must present no danger on exit.

Emergency exits must have the minimum dimensions required to circumscribe an ellipse with a minor axis of 440 mm and a major axis of 640 mm.

(Dimensions in mm)

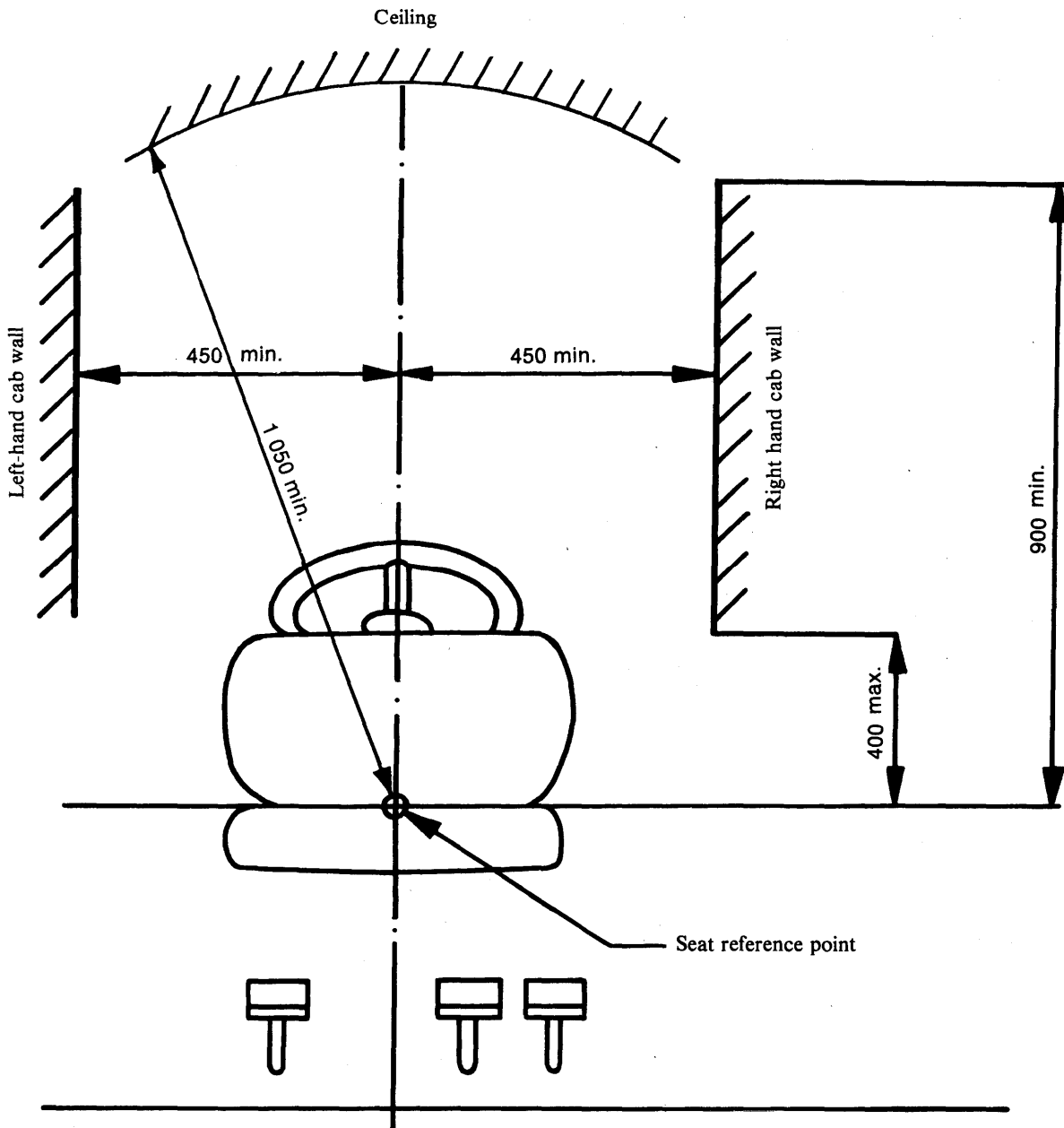


Figure 1

(Dimensions in mm)

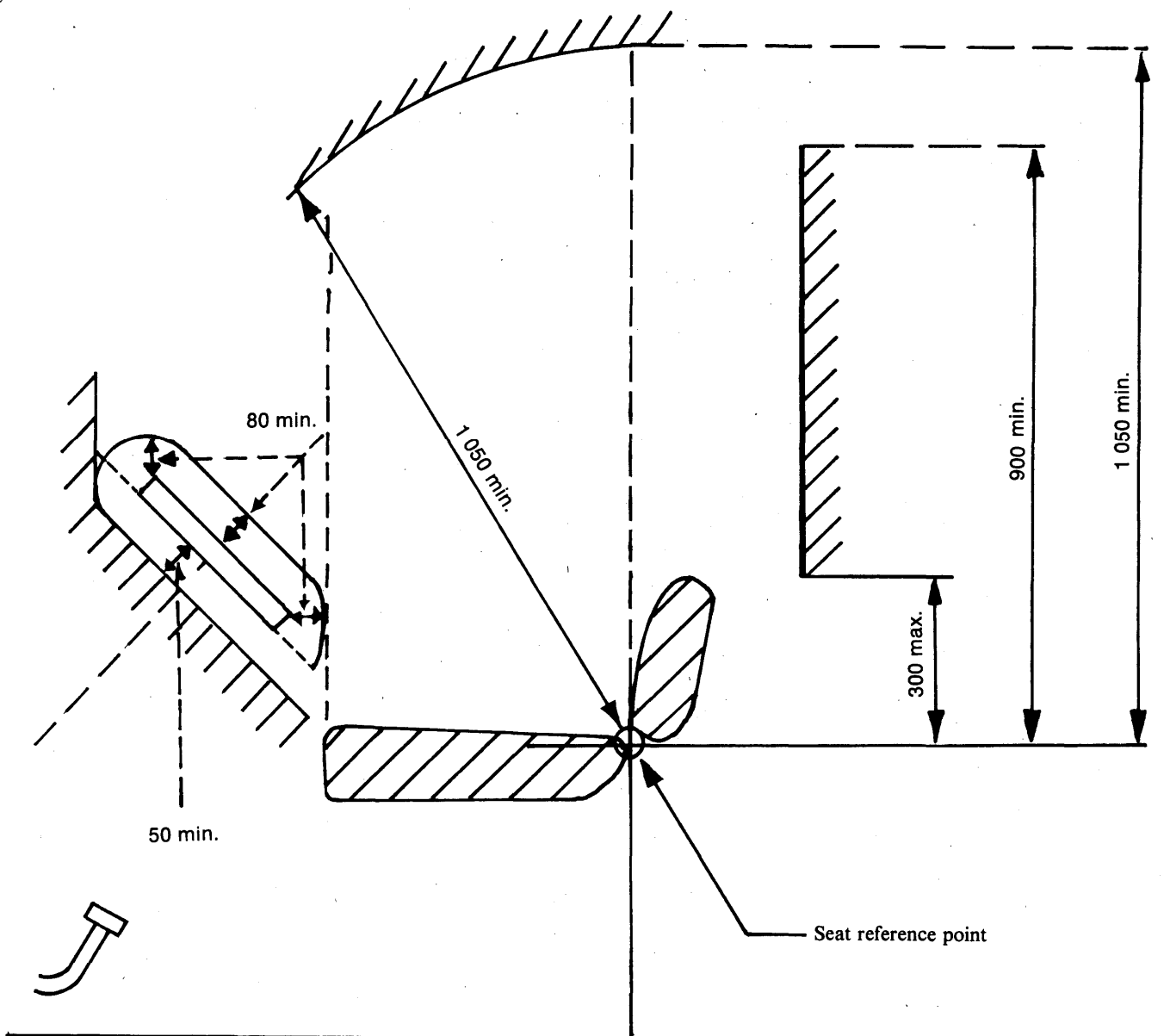


Figure 2

(Dimensions in mm)

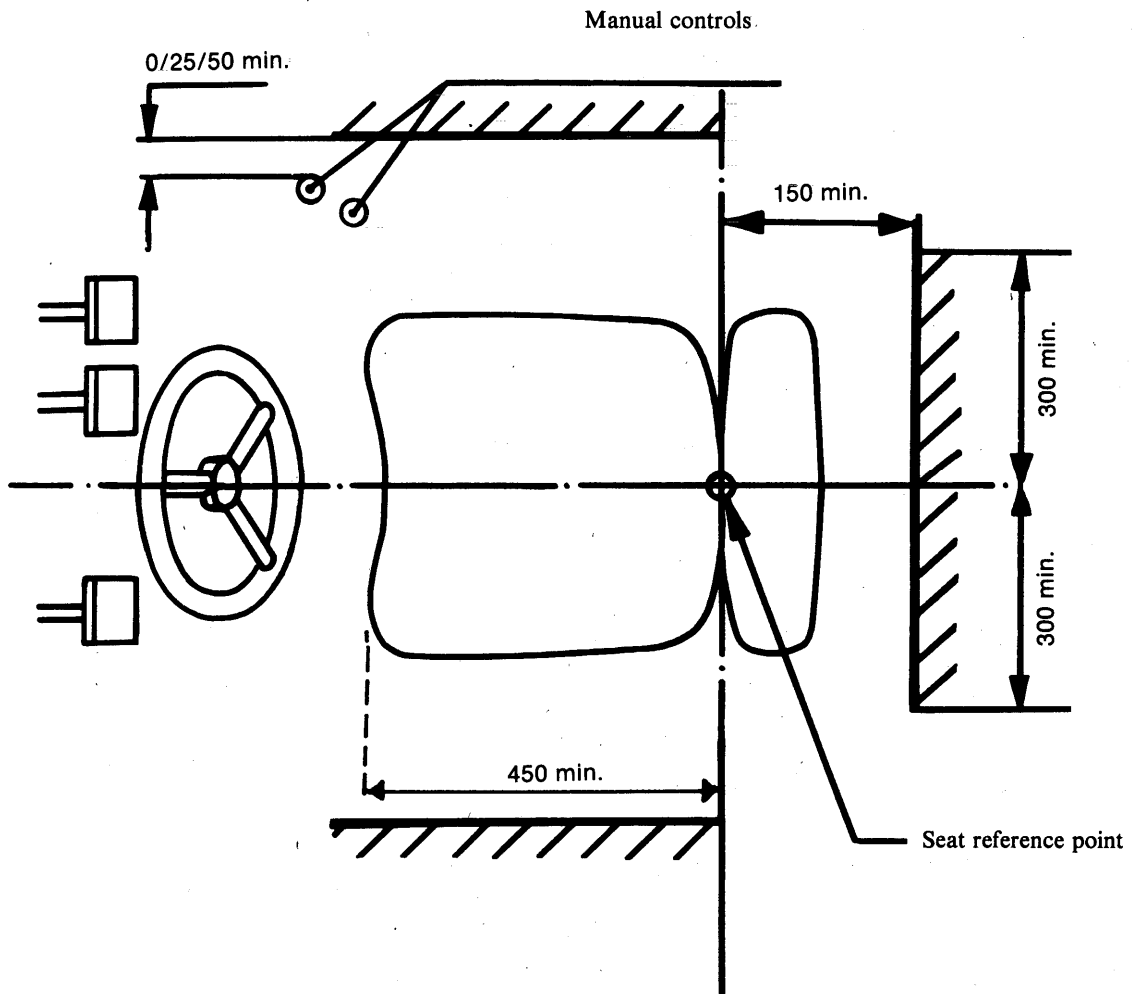


Figure 3



(Dimensions in mm)

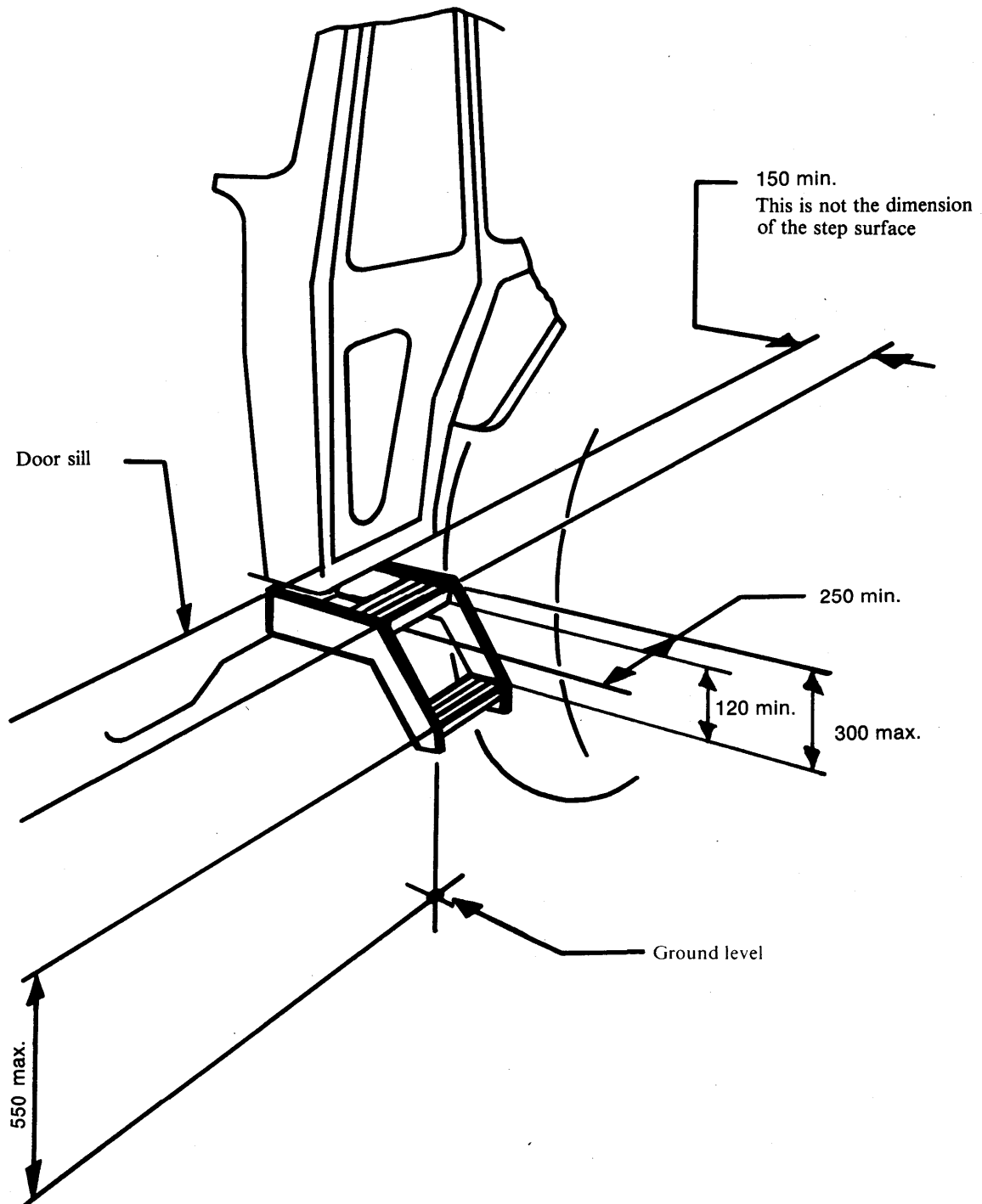


Figure 4

*Appendix 1***METHOD OF DETERMINING THE SEAT REFERENCE POINT (S)****1. Definition of the reference point (S)**

'Seat reference point' (S) means the point of intersection in the median longitudinal plane of the seat between the tangential plane at the base of the padded backrest and a horizontal plane. This horizontal plane intersects the lower surface of the seat 150 mm in front of the seat reference point (S).

**2. Positioning of the seat**

The seat must be set in the rearmost longitudinal position and at the mid-point of the height adjustment range. Seats having a suspension system, whether or not adjustable according to the driver's weight, must be set at the mid-point of the suspension travel.

**3. Device for determining the seat reference point (S)**

The device illustrated in Figure 1 consists of a seat pan board and backrest boards. The lower backrest board must be hinged in the region of the ischium humps (A) and the loin (B), the hinge (B) being adjustable in height.

**4. Method of determining the seat reference point (S)**

The seat reference point (S) must be obtained by using the device illustrated in Figures 1 and 2, which simulates loading by a human occupant. The device must be positioned on the seat. It must then be loaded with a force of 550 N at a point 50 mm in front of hinge (A) and two parts of the backrest lightly pressed tangentially against the padded backrest.

If it is not possible to determine definite tangents to each area of the padded backrest (below and above the lumbar region) the following procedure must be adopted:

- (a) where there is no possibility of defining the tangent to the lowest possible area, the lower part of the backrest board in a vertical position must be lightly pressed against the padded backrest;
- (b) where there is no possibility of defining the tangent to the highest possible area, if the lower part of the backrest board is vertical, the hinge (B) must be fixed at a height of 230 mm above the seat reference point (S). The two parts of the backrest board in a vertical position must then be lightly pressed tangentially against the padded backrest.

Figure 1

Device for determining the seat reference point (S)

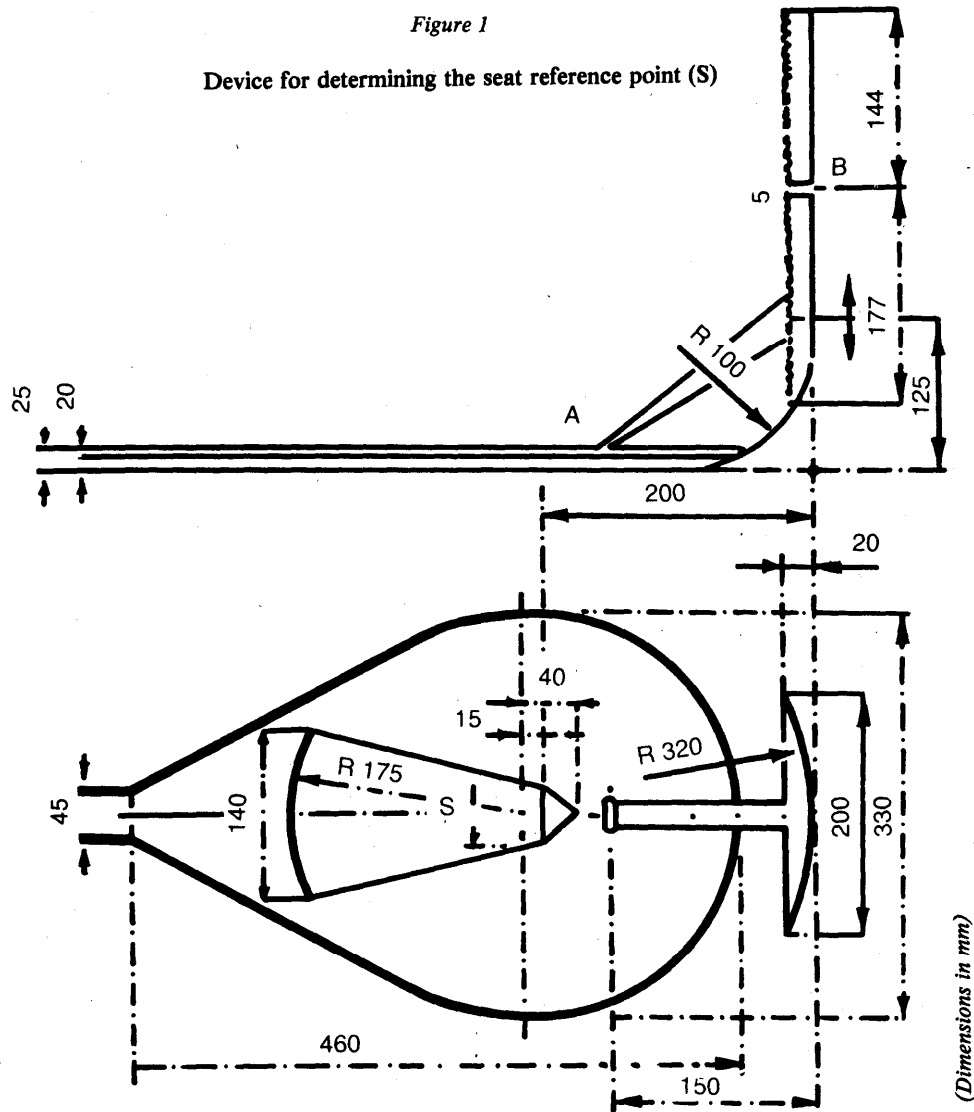
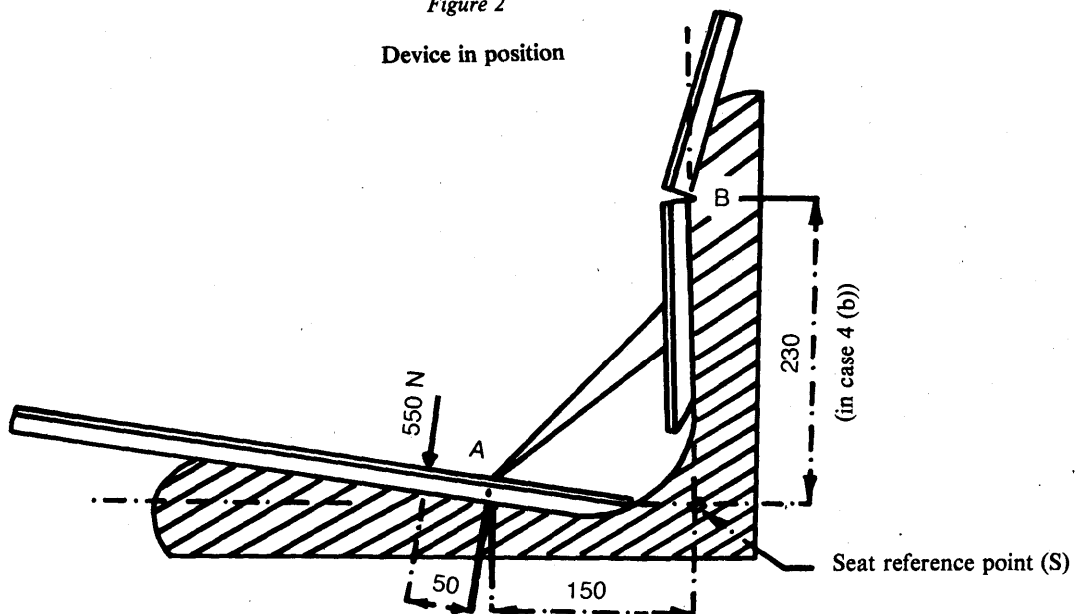


Figure 2

Device in position



ANNEX II

MODEL

Name of administration

ANNEX TO THE EEC TYPE-APPROVAL CERTIFICATE FOR A TRACTOR TYPE WITH REGARD TO THE OPERATING SPACE, ACCESS TO THE DRIVING POSITION (MEANS OF ENTRY AND EXIT) AND DOORS AND WINDOWS

(Articles 4 (2) and 10 of Council Directive 74/150/EEC of 4 March 1974 on the approximation of the laws of the Member States relating to the EEC type-approval of wheeled agricultural or forestry tractors)

EEC type-approval No .....

- 1. Component(s) or characteristic(s)
- operating space,
- access to the driving position (means of entry and exit),
- doors and windows
2. Make of tractor or business name of manufacturer .....
3. Type and commercial description of tractor .....
4. Manufacturer's name and address .....
5. If applicable, name and address of manufacturer's authorized representative .....
6. Description of component(s) and/or characteristic(s) mentioned under 1 above .....
7. Date of submission of tractor for EEC type-approval .....
8. Technical service conducting the type-approval tests .....
9. Date of report issued by that service .....
10. Number of report issued by that service .....
11. EEC-type approval for the operating space, access to the driving position (means of entry and exit) and the doors and windows is granted/refused (1).
12. Place .....
13. Date .....
14. Signature .....
15. The following documents, bearing the EEC type-approval number indicated above, are annexed to this certificate:
..... dimensional drawing,
..... exploded view or photograph of the cab and/or means of entry and exit.
The data must be supplied to the competent authorities of the other Member States if they so request.
16. Remarks .....

(1) Delete where inapplicable.

**COUNCIL DECISION****of 30 June 1980****on the conclusion of the Agreement between the European Economic Community and Sweden in respect of certain horticultural products negotiated under Article XXVIII of GATT**

(80/721/EEC)

THE COUNCIL OF THE EUROPEAN COMMUNITIES,

Having regard to the Treaty establishing the European Economic Community, and in particular Article 113 thereof,

Having regard to the recommendation from the Commission,

Whereas Sweden, pursuant to Article XXVIII of the General Agreement on Tariffs and Trade (GATT), has announced its intention of unbinding tariff concessions on certain horticultural products of which the European Economic Community is the principal supplier;

Whereas the Commission has initiated negotiations with Sweden under Article XXVIII of GATT, and has reached a satisfactory agreement with Sweden,

HAS DECIDED AS FOLLOWS:

*Article 1*

The Agreement between the European Economic Community and Sweden in respect of certain horticultural products negotiated under Article XXVIII of GATT is hereby approved on behalf of the Community.

The text of the Agreement is annexed to this Decision.

*Article 2*

The President of the Council is hereby authorized to designate the person empowered to sign the Agreement in order to bind the Community.

Done at Luxembourg, 30 June 1980.

*For the Council**The President*

V. BALZAMO

**AGREEMENT**

**between the European Economic Community and Sweden in respect of certain horticultural products negotiated under Article XXVIII of GATT**

**'PROCÈS-VERBAL'**

1. The Delegations of Sweden and the Commission of the European Communities have concluded their negotiations under Article XXVIII of GATT for the modification of concessions regarding certain horticultural products provided for in schedule XXX-SWEDEN with the following agreement:

The concessions included in Schedule XXX-SWEDEN and set out in Part A of Annex I shall be replaced by:

- (a) the concessions to be bound in GATT as set out in Part B of Annex I;
- (b) the autonomous concessions, granted by Sweden to the European Economic Community as set out in the draft letter attached (Annex II).

The provisions contained in this paragraph shall enter into force on the same date.

2. In connection with these negotiations under Article XXVIII of GATT, the parties have discussed the customs tariffs in Sweden regarding certain horticultural products falling under Chapters 6, 7 and 8 of the customs nomenclature not bound in GATT.

Sweden agrees to inform the European Economic Community if it is envisaged that Sweden will for the items 06.02.005 and 06.02.007 (ornamental plants other than azaleas, ericas, camelias and rhododendrons) modify its import system, including increase of the duty rates above the level applied on 1 February 1980.

The Parties agree, upon request, to enter into consultation if difficulties might arise for these two items and shall endeavour to seek appropriate solutions.

These consultations shall be held in the framework and in accordance with Article 15 of the Agreement between Sweden and the European Economic Community of 22 July 1972.

Geneva, .....

*On behalf of  
the Delegation of Sweden*

*On behalf of  
the Delegation of the Commission  
of the European Communities*

## ANNEX I

**Results of negotiations between Sweden and the European Economic Community under Article XXVIII of GATT for the modification of certain concessions in Schedule XXX-SWEDEN**

**CHANGES IN SCHEDULE XXX-SWEDEN**

*Note:* The concessions listed in Part A shall be replaced by those listed in Part B. Any item listed in Part B confers upon the European Economic Community initial negotiating rights.

**PART A**

Tariff item No	Description of product	Rate of duty bound in existing schedule
ex 06.01	... Imported with earth: Other	Skr 50 per 100 kg
ex 07.01	... Tomatoes: From 16 May to 31 October From 16 April to 15 May Asparagus: From 1 May to 30 June Mushrooms Red beets: Freshly gathered (new), delivered from 1 January to 30 June Other Other vegetables than potatoes, edible roots, garlic, onions, shallots, cabbages, leguminous vegetables, tomatoes, mushrooms, truffles, asparagus, cucumbers, lettuces and sweet peppers: From 1 May to 30 November	Skr 50 per 100 kg Free Skr 100 per 100 kg Skr 75 per 100 kg Skr 20 per 100 kg Skr 10 per 100 kg Skr 40 per 100 kg
ex 08.07	... Cherries: From 16 June to 31 July Plums: From 16 July to 30 September	Skr 30 per 100 kg Skr 35 per 100 kg

Tariff item No	Description of product	Rate of duty bound in existing schedule
ex 08.08	... Strawberries: From 1 June to 31 August	Skr 100 per 100 kg
ex 08.11	... Cherries, in sulphur water: From 16 June to 31 July	Skr 35 per 100 kg

## PART B

The statistical numbers are those valid on 1 February 1980.

Tariff item No	Description of product	Concession rate of duty
06.01	... Imported without earth:	
002	In flower or in bud	Skr 350 per 100 kg
	Imported with earth:	
005	Other	8 %
06.02	... Ornamental plants, other than azaleas, ericas, camelias and rhododendrons:	
005	Other than plants grown in pots	10 %
06.03	... Fresh:	
	Roses:	
ex 012	From 1 December to 31 January	Free
07.01	... Red beet	5 %
294 } 295 }		
	Cauliflowers:	
423	From 1 December to 30 April	Free



Tariff item No	Description of product	Concession rate of duty
07.01 (cont'd)	Chinese cabbage:	
ex 496	From 1 January to 29 February	Free
	Other cabbage (other than white and red cabbage, kale and brussels sprouts):	
498	From 1 March to 31 December	20 %
499	From 1 January to 29 February	Free
	Tomatoes:	
ex 702 } ex 701 }	From 16 April to 15 May	10 % with a min. of Skr 50 per 100 kg <sup>(1)</sup>
ex 701	From 16 May to 30 June	17 % with a min. of Skr 50 per 100 kg <sup>(1)</sup>
ex 701	From 1 July to 30 September	17 % with a min. of Skr 70 per 100 kg <sup>(1)</sup>
ex 701	From 1 October to 31 October	17 % with a min. of Skr 50 per 100 kg <sup>(1)</sup>
610	Mushrooms	10 %
	Asparagus:	
751	From 1 May to 30 June	14 %
	Cucumbers:	
	Snake cucumbers:	
ex 801	From 16 March to 30 April	20 %
ex 801	From 1 May to 30 June	20 % with a min. of Skr 50 per 100 kg <sup>(1)</sup>
ex 801	From 1 July to 30 September	20 % with a min. of Skr 70 per 100 kg <sup>(1)</sup>
802	From 1 October to 15 March	Free
	Other:	
ex 806	From 1 October to 15 May	Free
	Globe artichokes:	
904	From 1 July to 30 November	10 %
ex 905	From 1 May to 30 June	Free

<sup>(1)</sup> The minimum rates may be adjusted in relation to the development of the production costs for these products in Sweden. However, this adjustment should not in any case exceed the development of the level of the cost-of-living index in Sweden during the same period.

Tariff item No	Description of product	Concession rate of duty
07.01 (cont'd)	Other vegetables than potatoes, edible roots, garlic, onions, shallots, cabbages, leguminous vegetables, tomatoes, mushrooms, truffles, asparagus, cucumbers, lettuces and sweet peppers:	
304 } 908 }	From 1 May to 30 November	10 %
07.02	...	
001 } 002 } 003 } 004 } 005 }	Carrots, peas, beans and spinach; carrots and peas, mixed	16 %
006	Broccoli	10 %
07.04	...	
002 } 009 }	Other (other than garlic and potatoes)	3 %
08.07	...	
	Cherries:	
101	From 16 June to 31 July	5 %
	Plums:	
401	From 16 July to 30 September	15 %
08.08	...	
	Strawberries:	
201 } ex 202 }	From 1 June to 31 August	14 %
08.09	...	
	Melons:	
103 } 104 }	From 16 June to 30 September	18 %
08.11	...	
	Cherries, in sulphur water:	
ex 009	From 16 June to 31 July	5 %

## ANNEX II

## SWEDISH DELEGATION

Brussels, .....

Mr Director-General,

I have the honour to inform you that, with reference to the Agreement between the Community and Sweden of 21 July 1972, and in particular Article 15 thereof whereby the contracting parties declared their readiness to foster, so far as their agricultural policies allow, the harmonious development of trade in agricultural products, Sweden is granting to the Community on a unilateral basis and with effect from 1 July 1980 the following tariff concession:

Swedish Customs Tariff item No	Description of products	Concession rate of duty
07.01.610	Mushrooms	8 %
08.04	Grapes, fresh:	
101	From 1 July to 31 October	Free

This concession is additional to those included in the letter of 21 July 1972, from the Head of the Swedish Delegation, Ambassador S. Åström, to the Head of the Delegation of the Community, Mr E. P. Wellenstein.

Accept, Mr Director-General, the assurances of my highest consideration.

Bengt RABAEUS

*Ambassador*

Sir Roy Denman  
Director-General  
The Commission of the European Communities  
Brussels

# COMMISSION

## COMMISSION DECISION

of 13 June 1980

supplementing Decision 79/833/EEC laying down, for the purposes of the survey on the structure of agricultural holdings for 1979/80, the Community outline of a schedule of tables together with the standard code and rules for the transcription on to magnetic tape of the data contained in these tables

(80/722/EEC)

THE COMMISSION OF THE EUROPEAN COMMUNITIES,

Having regard to the Treaty establishing the European Economic Community,

Having regard to Council Regulation (EEC) No 218/78 of 19 December 1977 on the organization of a survey on the structure of agricultural holdings for 1979/80 <sup>(1)</sup>, and in particular Articles 7 and 9 (a) thereof,

Whereas, pursuant to Article 7 of Regulation (EEC) No 218/78, Member States are to set out the results of the survey in the form of a schedule of tables drawn up in accordance with a Community outline; whereas this outline is to be drawn up in accordance with the procedure laid down in Article 12 of the said Regulation;

Whereas the first part of the schedule of tables was adopted by Commission Decision 79/833/EEC <sup>(2)</sup>; whereas this part must be supplemented by a set of tables on the agricultural labour force;

Whereas, pursuant to Article 9 (a) of Regulation (EEC) No 218/78, the Member States are to transcribe the results referred to in Article 8 of the said Regulation on to magnetic tape in accordance with a program which is standard for all Member States; whereas the method and program of transcription are to be drawn up in accordance with the procedure laid down in Article 12 of the said Regulation;

Whereas the measures provided for in this Decision are in accordance with the opinion of the Standing Committee for Agricultural Statistics,

HAS ADOPTED THIS DECISION:

### *Article 1*

The tables set out in Annex 1 hereto are added to Annex 1 to Decision 79/833/EEC.

### *Article 2*

The table set out in Annex 2 hereto is added to Annex 4 to Decision 79/833/EEC.

### *Article 3*

This Decision is addressed to the Member States.

Done at Brussels, 13 June 1980.

*For the Commission*  
François-Xavier ORTOLI  
*Vice-President*

<sup>(1)</sup> OJ No L 35, 4. 2. 1978, p. 1.

<sup>(2)</sup> OJ No L 259, 15. 10. 1979, p. 45.

*ANNEX I*

**COMMUNITY OUTLINE OF TABLE SCHEDULE OF THE STRUCTURE SURVEY  
1979/80**

**(Completion of Annex 1 to Commission Decision 79/833/EEC)**

*Table*

7 Farm labour force

**Geographical level: district**

The following tables are prepared at the district level for all Member States.

*Tables*

7.1.  
7.3.  
7.4.  
7.7.  
7.9.  
7.10.





Table 7.1 (cont'd)

Row	Column	Size of holding: AA ha									
		1	2	3	4	5	6	7	8	9	10
		< 1	1 - < 2	2 - < 5	5 - < 10	10 - < 20	20 - < 30	30 - < 50	50 - < 100	≥ 100	All sizes
31	Work time in % of annual time worked > 0 - < 50 persons										
32	50 - < 75 persons										
33	75 - < 100 persons										
34	100 persons										
	<b>Total female family workers (L/01 - L/02, female: L/03b)</b>										
35	Work time in % of annual time worked > 0 - < 50 persons										
36	50 - < 100 persons										
37	100 persons										
	<b>Female non-family regular workers (L/04b)</b>										
38	Work time in % of annual time worked > 0 - < 50 persons										
39	50 - < 100 persons										
40	100 persons										

(<sup>1</sup>) Calculation of annual work units (AWU).  
Annual work units shall be calculated by reference to the table below.

Work time as % of annual time worked by a full-time farm worker

> 0 - < 25	AWU
25 - < 50	0.125
50 - < 75	0.375
75 - < 100	0.625
100	0.875
100 working days	1.000
	0.36363

Where Member States have the possibility of computing AWU in a more direct fashion this alternative procedure may be adopted.



## 7.2. Selected items by work time of holder (who is also manager)

Row	Column	Holder's work time on holding in % of annual time worked by a full-time worker			
		1	2	3	4
		> 0 - < 50	50 - < 100	100	All work times
	<b>Members of holder's family (L/02, L/03)</b>				
	Work time in % of annual time worked				
1	> 0 - < 50 persons				
2	50 - < 100 persons				
3	100 persons				
4	Total persons				
	<b>Non-family regular workers (L/04)</b>				
	Work time in % of annual time worked				
5	> 0 - < 50 persons				
6	50 - < 100 persons				
7	100 persons				
8	Total persons				
9	<b>Non-regular, non-family labour, male (L/05)</b> working days				
10	<b>Non-regular, non-family labour, female (L/06)</b> working days				
	<b>Total annual work units (AWU) on holding</b>				
11	< 0.75 holdings				
12	0.75 - < 1 holdings				
13	1 - < 1.5 holdings				
14	1.5 - < 2 holdings				
15	2 - < 3 holdings				
16	≥ 3 holdings				

## 7.3. Selected items by work time of holders (who is also manager) and AA

Column	1	2	3	4	5	6	7	8	9	10
	Holder's work time on holding in % of annual time worked by a full-time worker									
	> 0 - < 50					50 - < 100				
	Size of holding: AA ha					Size of holding: AA ha				
	< 5	5 - < 20	20 - < 50	≥ 50	All sizes	< 5	5 - < 20	20 - < 50	≥ 50	All sizes

Column	11	12	13	14	15	16	17	18	19	20
	Holder's work time on holding in % of annual time worked by a full-time worker									
	100					All work times				
	Size of holding: AA ha					Size of holding: AA ha				
	< 5	5 - < 20	20 - < 50	≥ 50	All sizes	< 5	5 - < 20	20 - < 50	≥ 50	All sizes

Row		Columns 1 to 20
1	Number of holdings	
	Agricultural area in use	
2	total	ha
3	owner-farmed (C/01)	ha
4	tenant-farmed (C/02)	ha
	Age of holder (years)	
5	< 35	holdings
6	35 - 44	holdings
7	45 - 54	holdings
8	55 - 64	holdings
9	≥ 65	holdings
10	Female holders	holdings



## 7.5. Non-family regular workers (L/04 a, b) by work time and age

Column		1	2	3	4	5	6	7
Row	Work time %	Age (years)						All ages
		< 25	25 - 34	35 - 44	45 - 54	55 - 64	≥ 65	
1	> 0 - < 25							
2	25 - < 50							
3	50 - < 75							
4	75 - < 100							
5	100							
6	All work times							

Non-family regular workers  
(persons)

## 7.6. Male non-family regular workers (L/04 a) by work time and age

Column		1	2	3	4	5	6	7
Row	Work time %	Age (years)						All ages
		< 25	25 - 34	35 - 44	45 - 54	55 - 64	≥ 65	
1	> 0 - < 25							
2	25 - < 50							
3	50 - < 75							
4	75 - < 100							
5	100							
6	All work times							

Male non-family regular workers  
(persons)

**7.7. Holdings with 'dual active' (1) family workers**

Row	Column	1		2		3		4		5		6		7		8		9	
		Holdings with holders who are natural persons		Holdings with 'dual active' (1) family workers (L/07, L/08, L/09)		Of which with 'dual active' (1) holders (L/07)		Of which with 'dual active' (1) spouses (L/08)		Of which with 'dual active' (1) other members of holder's family (L/09)		Of which with major other gainful activity (2)		Of which with major other gainful activity (3)		Of which with major other gainful activity (3)		Of which with major other gainful activity (3)	
1	Number of 'dual active' (1) family workers (L/07, L/08, L/09)																		
2	Number of holdings																		

(1) On the holding and in any other gainful activity.

(2) For at least one family worker (L/07, L/08, L/09).

(3) For at least one other member of holder's family (L/09).

7.8. Holdings with 'dual active' <sup>(1)</sup> family workers by farm labour force and 'dual active' family workers

Column		1	2	3	4	5
Row	Farm labour force not including non-family labour employed on a non-regular basis (L/01 to L/04) (number of persons)	'Dual active' <sup>(1)</sup> (L/07 to L/09) (number of persons)				Total
		1	2	3	≥ 4	
				Holdings		
1	1		×	×	×	
2	2			×	×	
3	3				×	
4	≥ 4					
5	Total					

× = not possible.

<sup>(1)</sup> On the holding and in any other gainful activity.

## 7.9. Selected items by holder's (where holder is also manager) time worked on holding and other gainful activity

Column	1	2	3	4	5	6	7	8
	Holder's work time on holding in % of annual time worked by a full-time worker							
	> 0 - < 50				50 - < 100			
	Other gainful activity				Other gainful activity			
	None	Any	Of which: major	Of which: subsidiary	None	Any	Of which: major	Of which: subsidiary

Column	9	10	11	12	13	14	15	16
	Holder's work time on holding in % of annual time worked by a full-time worker							
	100				Total			
	Other gainful activity				Other gainful activity			
	None	Any	Of which: major	Of which: subsidiary	None	Any	Of which: major	Of which: subsidiary

Row				Columns 1 to 16
	<b>Size of holding (AA ha)</b>			
1		< 5	holdings	
2		5 - < 20	holdings	
3		20 - < 50	holdings	
4		≥ 50	holdings	
5	Total		holdings	
	<b>Age of holder (years)</b>			
6		< 35	persons	
7		35 - 44	persons	
8		45 - 54	persons	
9		55 - 64	persons	
10		≥ 65	persons	
11	<b>Female holders</b>		persons	
12	AA		ha	
13	AA owner-farmed		ha	
14	AWU total			





## ANNEX 2

## TABLE REFERENCE CODES AND NUMBERS OF COLUMNS AND ROWS

(Completion of Annex 4 to Decision 79/833/EEC)

Table No	Code	Number of columns	Number of rows
7.1.	26	10	40
7.2.	27	4	16
7.3. (columns 1 to 10)	28	10	10
7.3. (columns 11 to 20)	29	10	10
7.4.	30	10	24
7.5.	31	7	6
7.6.	32	7	6
7.7.	33	9	2
7.8.	34	5	5
7.9. (columns 1 to 10)	35	10	14
7.9. (columns 11 to 16)	36	6	14
7.10.	37	8	5

Members States have a choice as to blocking factor. The factor preferred by SOEC is 10. The SOEC must be informed as to what blocking factor has been used.