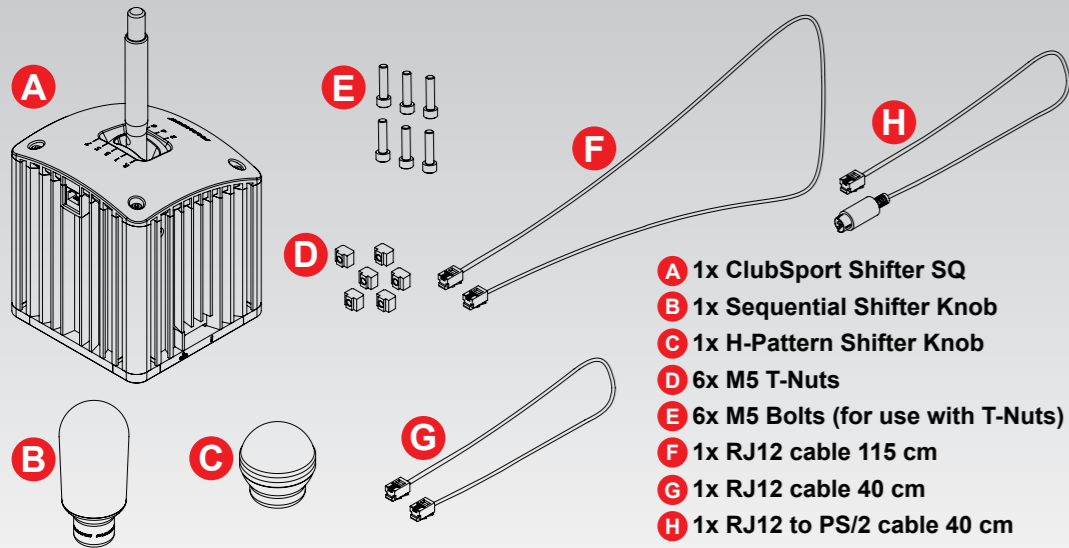
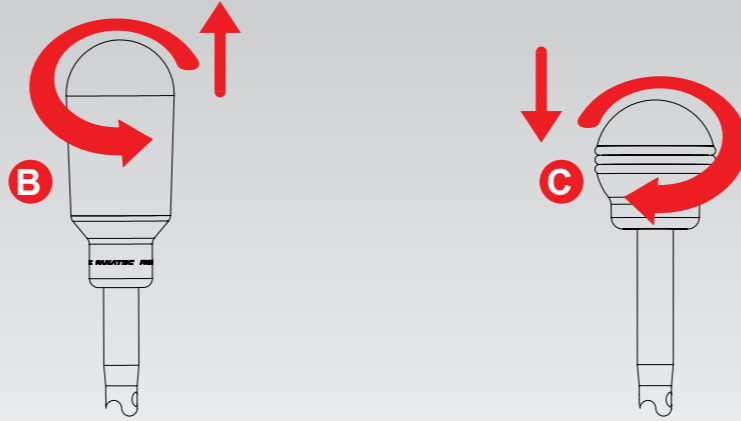


PACKAGE CONTENT

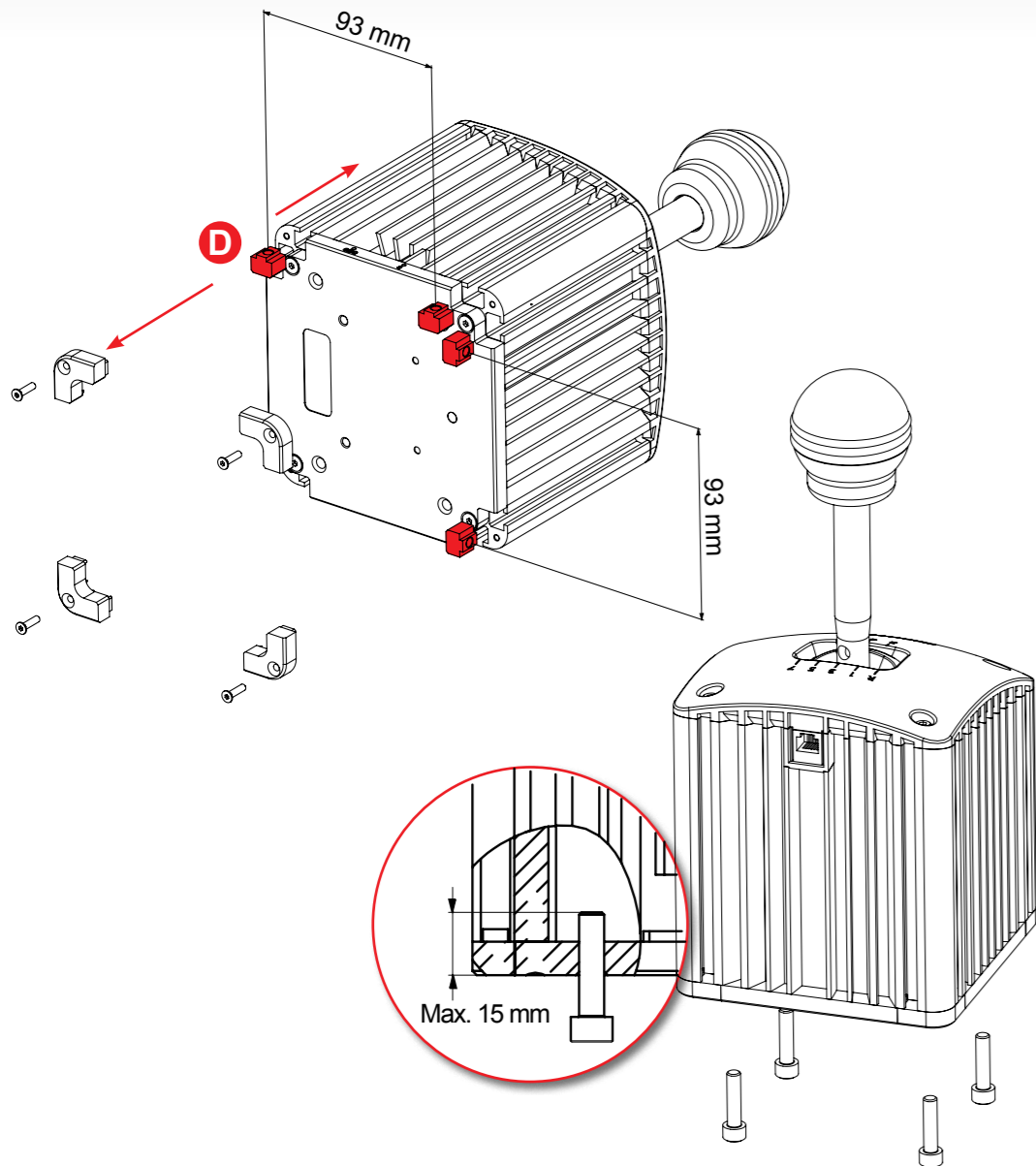


- A 1x ClubSport Shifter SQ
- B 1x Sequential Shifter Knob
- C 1x H-Pattern Shifter Knob
- D 6x M5 T-Nuts
- E 6x M5 Bolts (for use with T-Nuts)
- F 1x RJ12 cable 115 cm
- G 1x RJ12 cable 40 cm
- H 1x RJ12 to PS/2 cable 40 cm

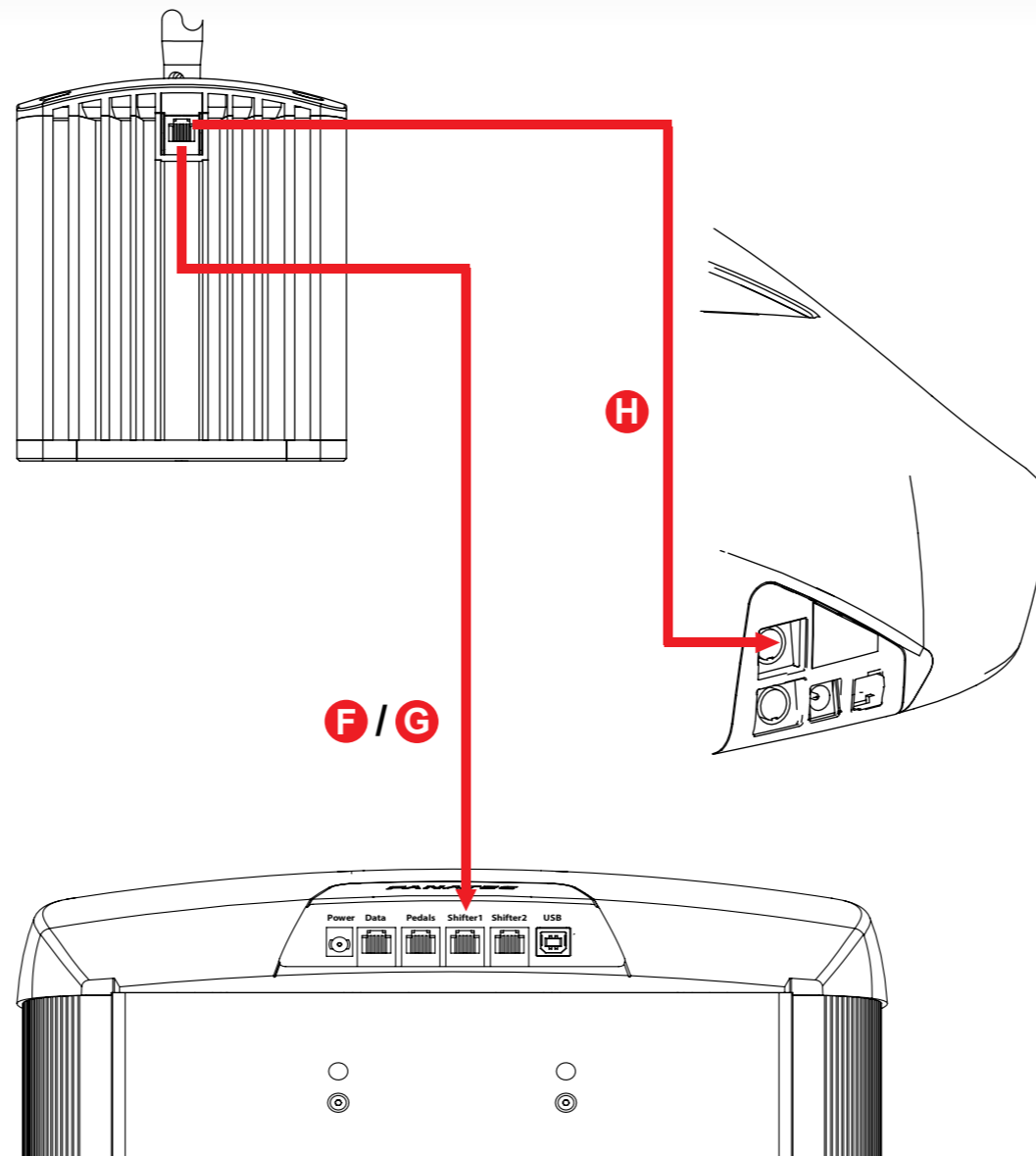
CHANGE THE KNOB



MOUNTING



CONNECTION



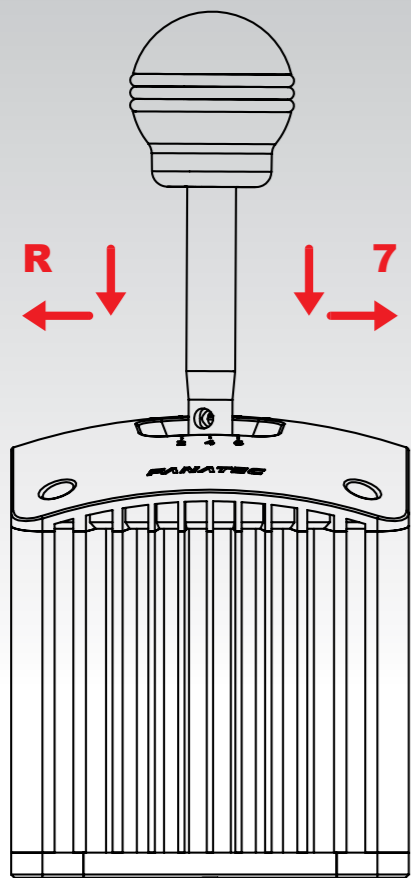
ClubSport
SHIFTER SQ



QuickGuide

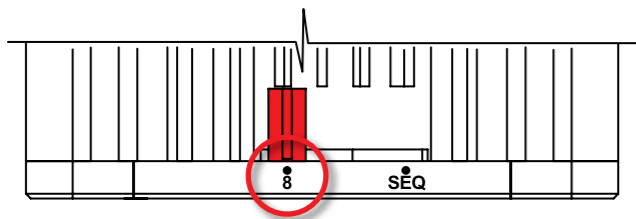


R AND 7th GEAR

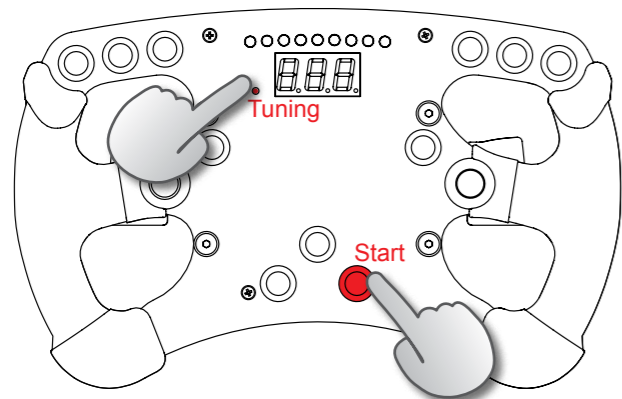


CALIBRATION

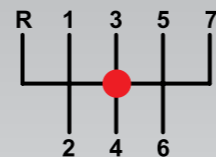
1



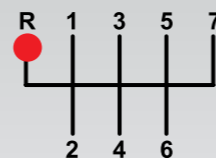
2



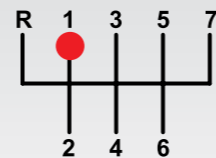
3



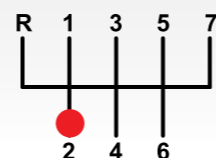
4



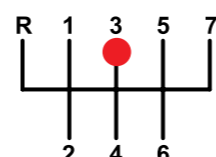
5



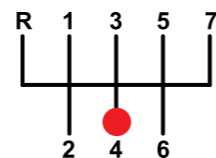
6



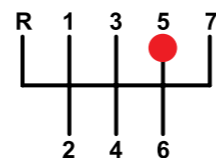
7



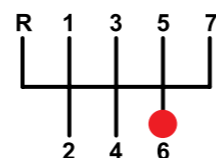
8



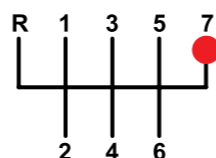
9



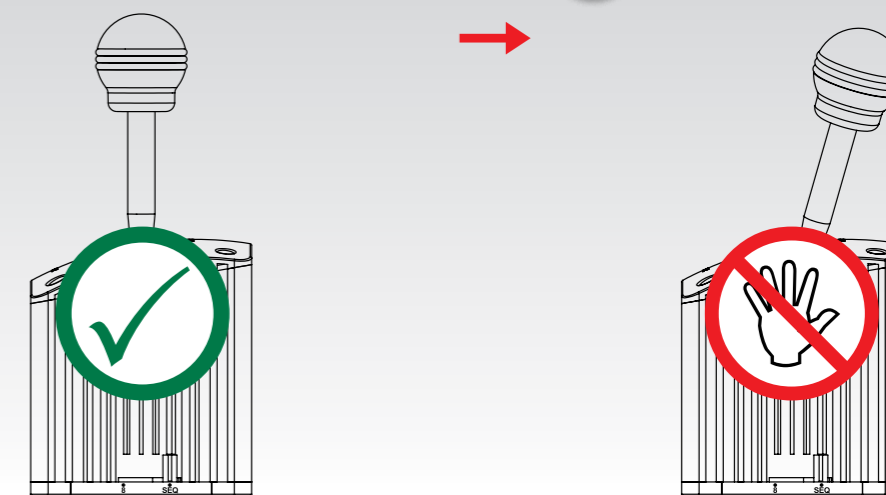
10



11



MODE CHANGE



ADJUST SHIFT RESISTANCE

