



**RBH
ACCESS**

Integra 32™

2 DOOR PANEL/SOFTWARE KIT WITH PROXIMITY READERS



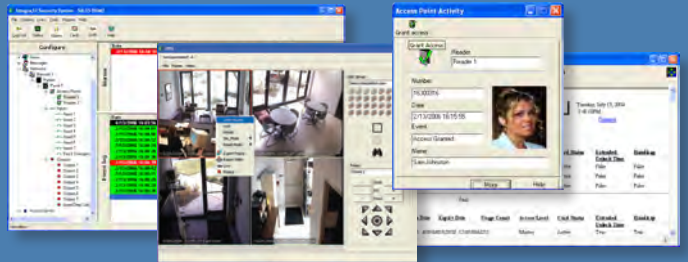
RBH-IRC-2000-2400MP

- 2 Door Access Control Panel
- Enclosure with 2A Charging Power Supply
- Distributive processing, built in clock
- Connect via Serial port, USB or Ethernet
- Flash upgradable firmware
- 5,000 Cardholders & Access Levels
- 5 Card Formats per panel simultaneously
- Automation Links, Anti-Passback, Etc...

Also Available without readers P/N: RBH-IRC-2000

64 Doors standard, up to 32 networks, expandable up to 128 doors & elevators!

- Easy to use Cardholder Database
- Comprehensive Reports
- Easy access to all settings
- Informative & interactive System Screen



Included in RBH-IRC-2000-2400MP kit:



- 2 Door Panel (Internet/LAN ready)
- 8 Supervised Programmable Inputs
- 8 Programmable Outputs
- 2 Proximity Readers (Range 3-5")
- 64 Door Software (Unlimited Sites)
- 10 Full function Client licenses



Multi-Swipe Functionality (authorized cards only):

Swiping an authorized card consecutively over a 2 second period will allow the designated cardholder to control the door itself, as well as initiate custom configured action sequences system-wide:



- 2-Swipe Locks/Unlocks Door
- 3-Swipe Custom Action #1
- 4-Swipe Door High-Security On/Off
- 5-Swipe Custom Action #2

RBH-IRC-2000-2400MP

RBH-IRC-2000 SPECIFICATIONS



RBH-IRC-2000 includes one IRC-2000-B controller, ENCL1 enclosure with lock, PS1224 charging power supply and Integra32 Software.

Networks per PC :	32 (RS-232, TCP/IP Ethernet or RS-485, supervised)
Controllers per Network :	16
Communication Between Controllers :	Supervised RS-485
Speed :	Programmable 9.6 - 56 Kbps
Distance :	4,000ft (1,200 m)
Cable Type :	18AWG, 2 conductor, twisted, shielded
Cards per Panel :	5,000 (up to ten digit card numbers) 8,000 optional
Access Levels per Panel :	5,000 (one per card per panel) 8,000 optional
Site Codes per Panel :	10 (site code programming is not mandatory)
Off line Transactions Buffer :	3,000 FIFO, command, and alarm priority
Access Points (Readers/Keypads) :	2 (Red, Green LED and Buzzer control)
Distance :	Max 500ft (150m)
Cable Type :	20 - 22AWG, 6 or 8 conductor, shielded
Simultaneous Card Formats per Panel :	5, Wiegand or Clock & Data
Programmable Supervised Inputs :	8, four state monitoring, NO and NC inputs
Input Supervision :	4 state monitoring (None, 1 or 2 resistors)
Distance :	Max 1,000ft (300m)
Cable Type :	20 - 22AWG, 2 conductor
Programmable Outputs :	4 SPDT 5A @ 30VDC, dry contacts
Output mode :	4 Electronic drivers, 12VDC max, 100mA
Output mode :	Programmable Fail Safe/Fail Secure
Enclosure Size and Weight:	W/L/H 12" x 14" x 3.25", Kit with readers 11 lbs.
Power Requirements :	16.5VAC, 40VA transformer (not included)
Recommended Back-up Battery :	12V, 7AH lead acid or gel cell (not included)

Compatible Software Modules:

- RBH-IRC-BB** Integrated PhotoID Module
- RBH-IRC-BIO** Fully Integrated Biometric Fingerprint Module
- RBH-IRC-VM** Visitor Management
- RBH-IRC-CCTV** DVR Integration Suite
- RBH-IRC-DT** Database Transfer Wizard
- RBH-IRC-WEB** Web Client

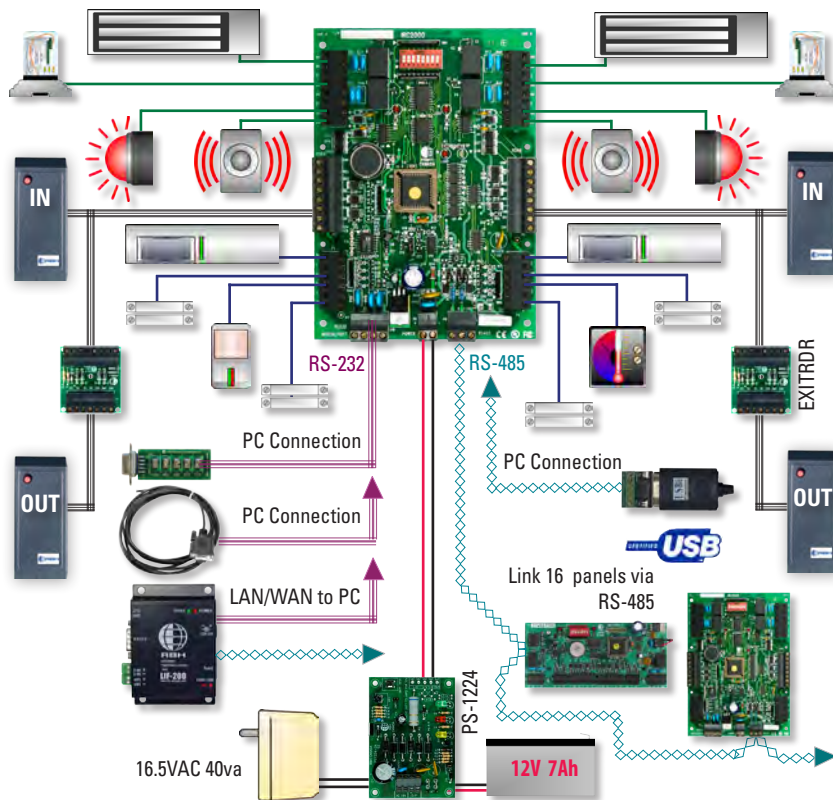
Compatible Accessories:



- RBH-LIF-200**
Ethernet LAN Module Auto 10/100 detection RS-232 or RS-485
- RBH-H485-USB**
USB/RS-485 Converter with screw terminals
- RBH-EXITRDR**
Exit Reader Module for bi-directional reader control

Compatible Panels:

- RBH-URC-2002** 2-Door Controllers
- RBH-URC-2004** 4-Door Controllers
- RBH-URC-2003** 2-Door Controllers for 19" Rack
- RBH-URC-2005** 4-Door Controllers for 19" Rack
- RBH-URC-2008** Elevator Controller



www.RBH-Access.com

HEAD OFFICE :

RBH Access Technologies, Inc.
2 Automatic Drive, Suite 108
Brampton, ON Canada L6S 6K8
Tel. +1-905-790-1515

EUROPE :

ARAS & RBH Security Group Ltd.
F3 Enterprise Way, Vale Business Park
Evesham, Worcestershire UK WR11 1GS
Tel. +44(0)-1386-425810

USA :

RBH USA, Inc.
60 Whitney Rd., Suite 14
Mahwah, NJ 07430
Tel. +1-201-663-9070