

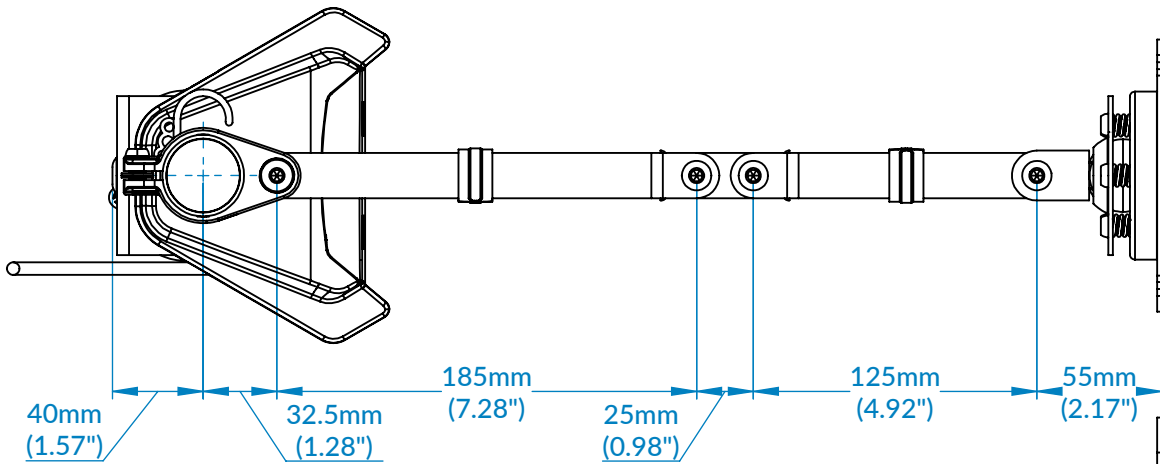
# Z1 Pro (Gen 3)

## Dimensional Illustrations

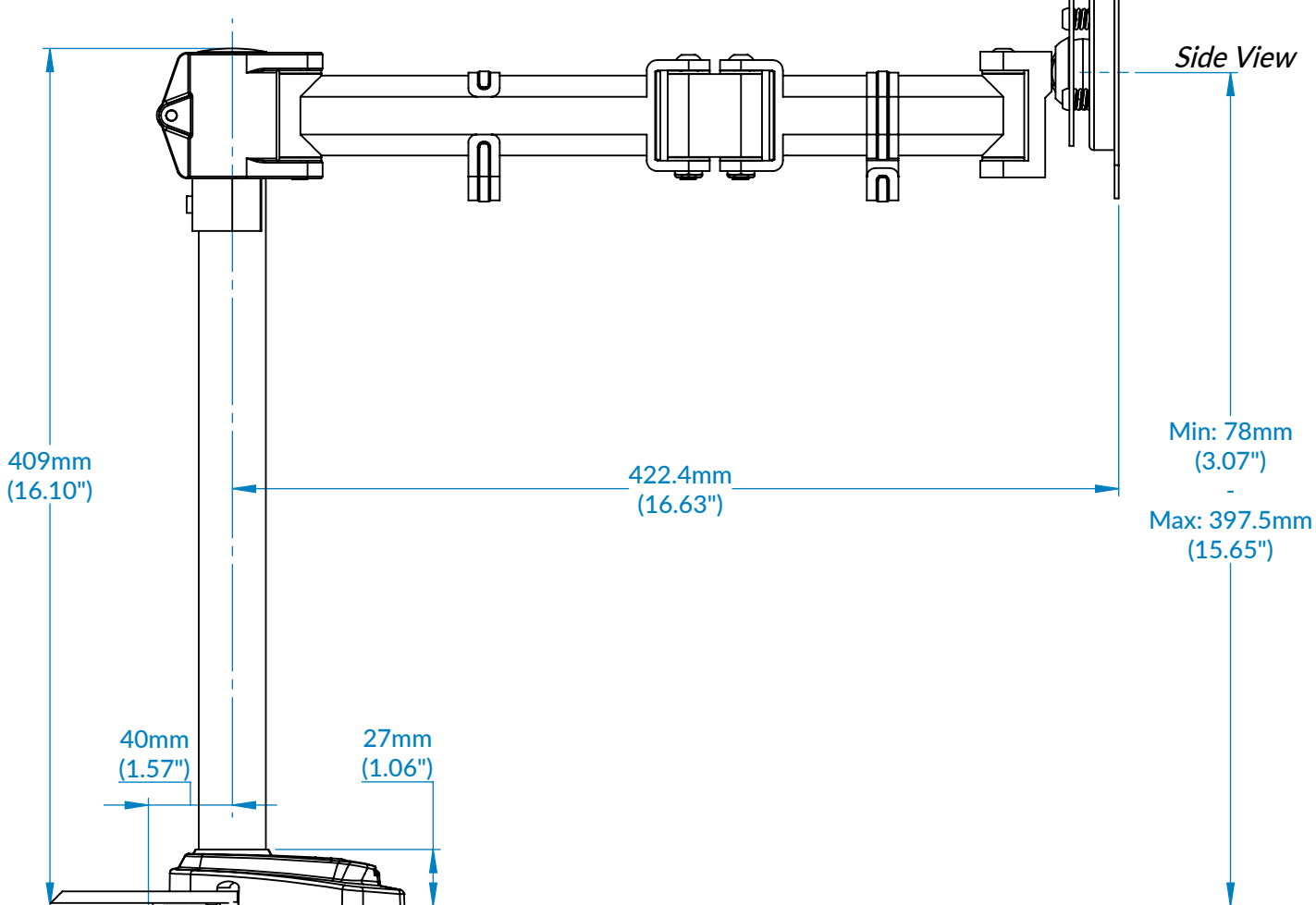
### Overall Dimensions



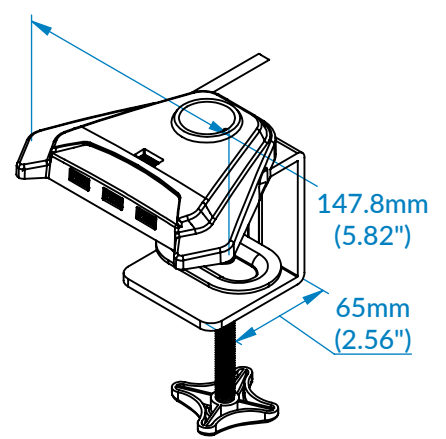
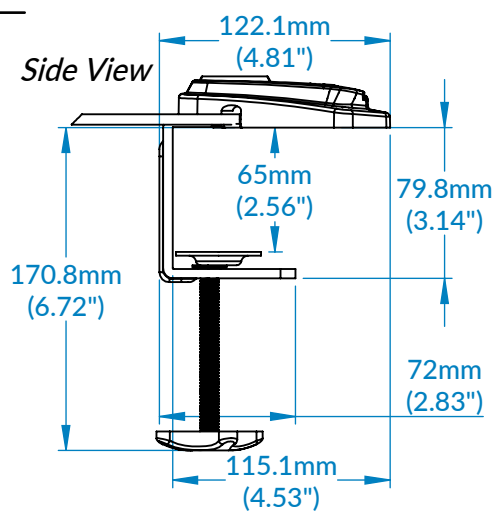
Top View



Side View



Side View

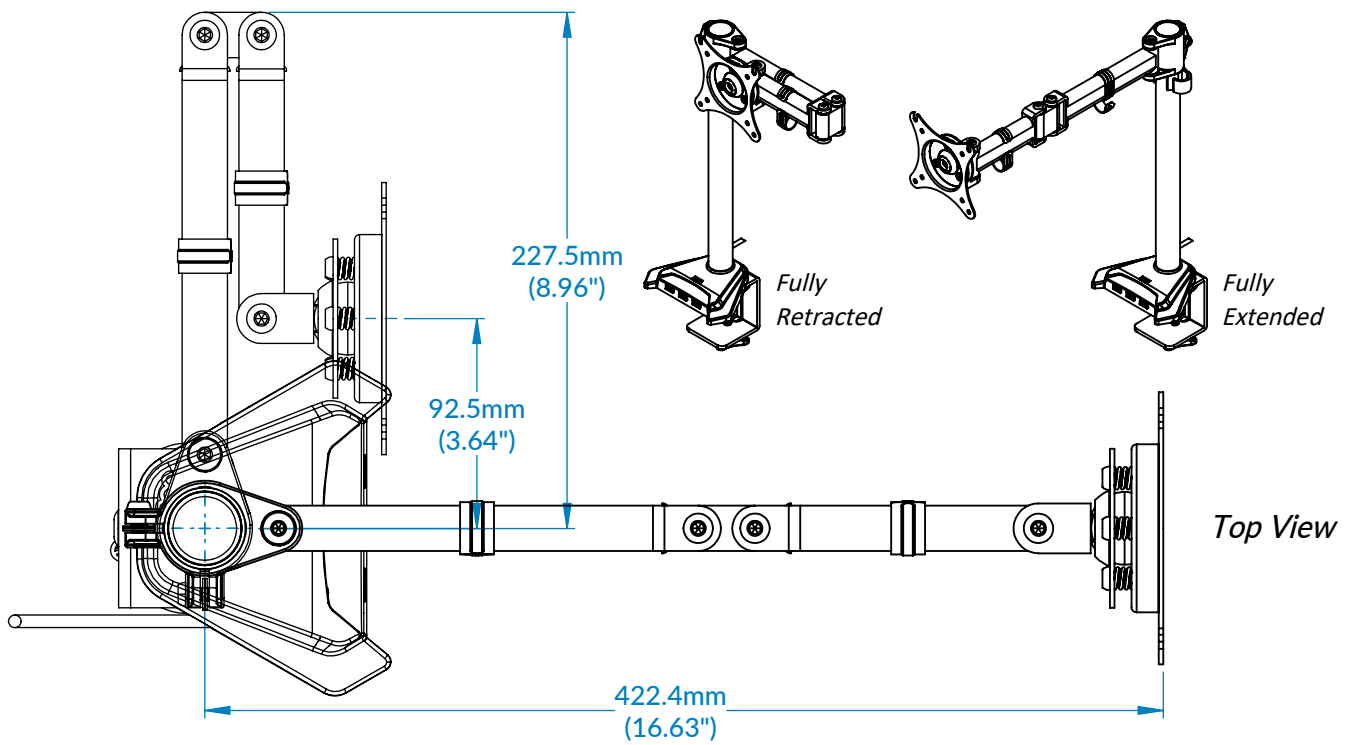


# Z1 Pro (Gen 3)

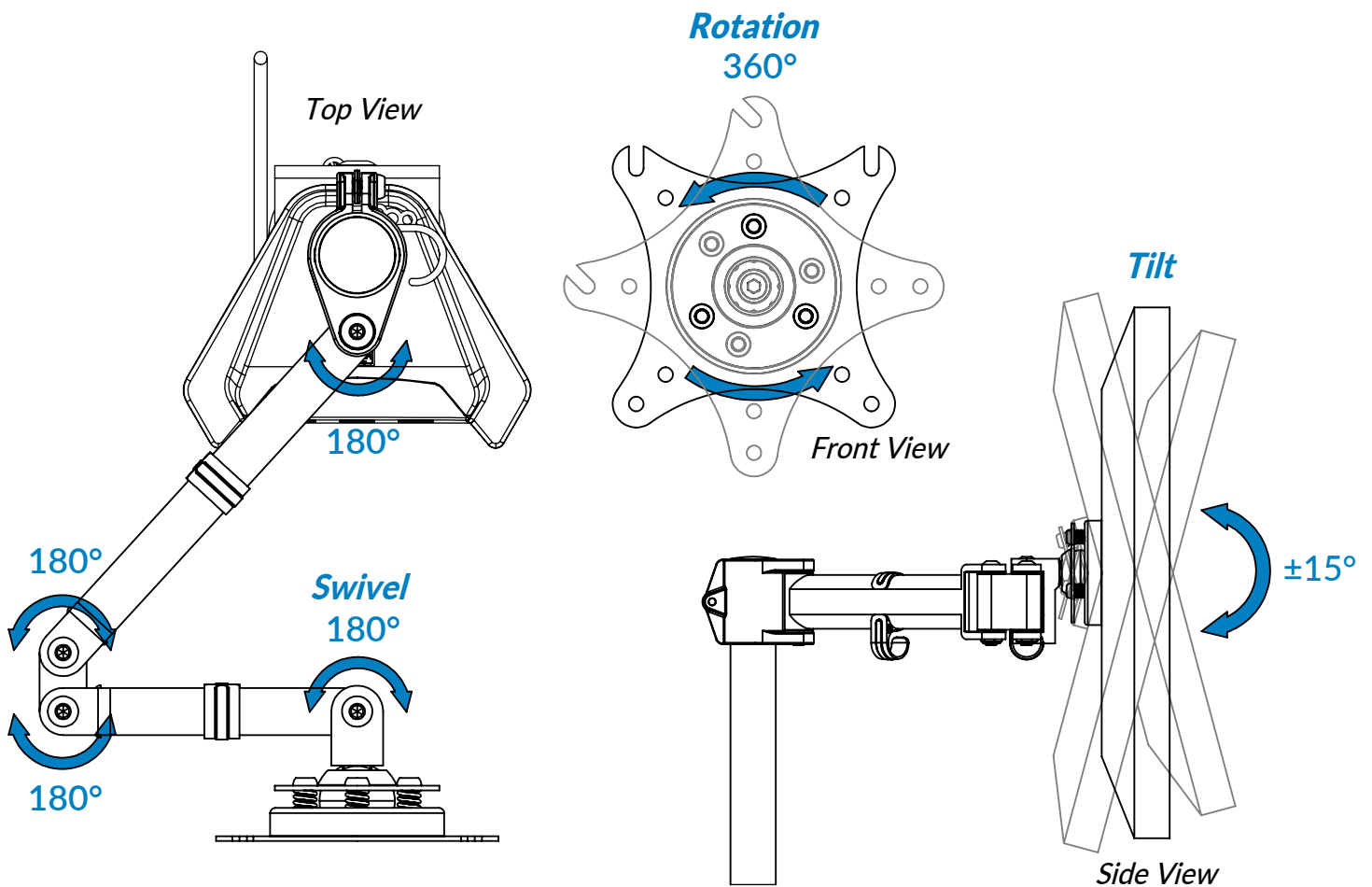
## Dimensional Illustrations



### Reach



### Adjustability



Designed by ARCTIC



P/N: AEMNT00049A

© ARCTIC (HK) Ltd. All rights reserved.

Rev. Date: 20-Apr-2022