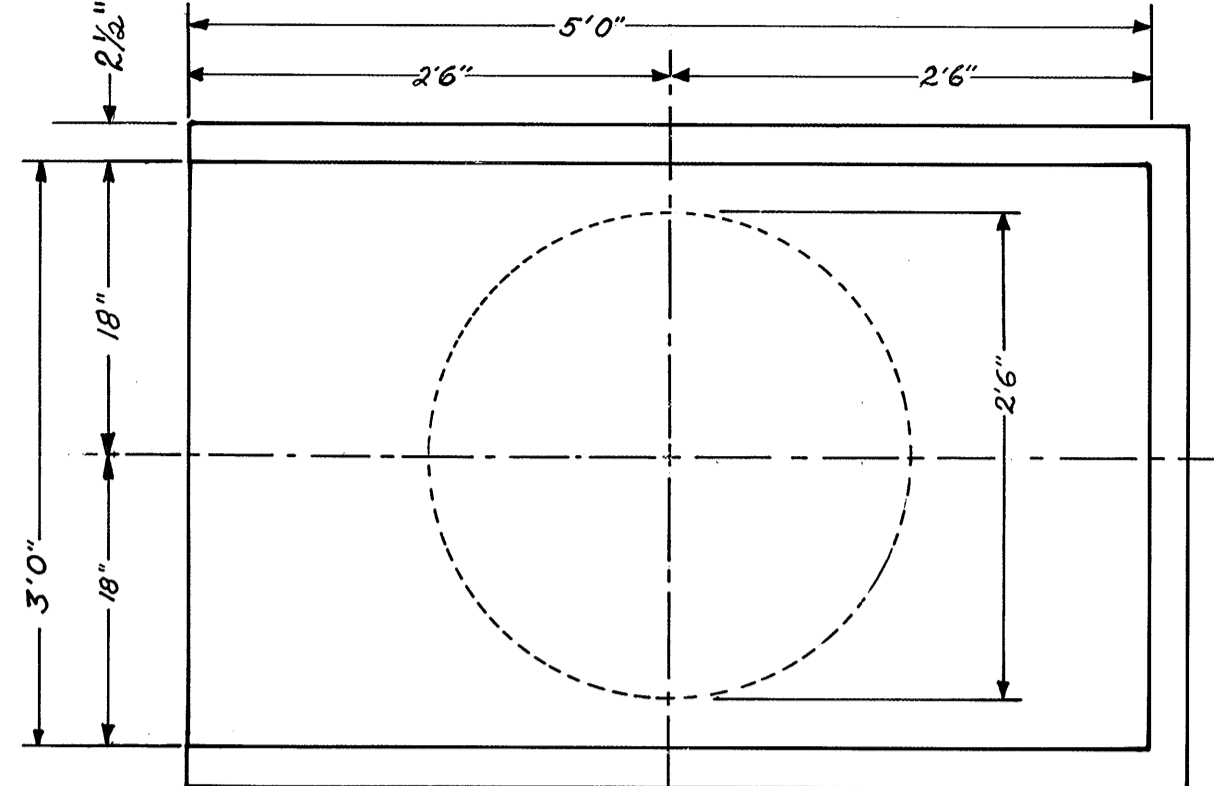


REVISIONS			
ZONE	LTR	DESCRIPTION	DATE APPROVED



- NOTES**
1. TO BE MANUFACTURED IN ACCORDANCE WITH LATEST REVISION OF SPECIFICATION MIL-F-2692.
 2. DEVICE SHALL APPEAR AS ILLUSTRATED ON BOTH SIDES OF THE FLAG.
 3. TYPE "A" FLAG TO BE MANUFACTURED UTILIZING A RAYON FLAG BASE WITH THE DEVICE TO BE APPLIQUE AND MACHINE EMBROIDERY.
 4. TYPE "B" FLAG TO BE MANUFACTURED UTILIZING A NYLON FLAG BASE WITH THE DEVICE SCREEN PRINTED AND APPLIED.
 5. HEADING SHALL BE TYPE II IN ACCORDANCE WITH TIOH DRAWING 5-1-45 E.
 6. DEVICE TO BE APPLIED TO FLAG BASE UTILIZING YELLOW EMBROIDERY (AIR FORCE YELLOW HC CABLE N° 67103)

- MATERIAL**
- TYPE "A"
 FLAG BASE ----- RAYON BANNER CLOTH
 DEVICE ----- RAYON APPLIQUE AND MACHINE EMBROIDERY
 FRINGE ----- RAYON 2 1/2" WIDTH
- TYPE "B"
 FLAG BASE ----- HEAVY WEIGHT NYLON
 DEVICE ----- SCREEN PRINTED ON LIGHT WEIGHT NYLON
 FRINGE ----- RAYON 2 1/2" WIDTH

COLOR AND CABLE NUMBERS OF COLORS

	CLOTH	YARN
FLAG BASE	SILVER GRAY	65008
FRINGE	AIR FORCE YELLOW HC	67103

- DEVICE**
- INNER DISC ----- ULTRAMARINE BLUE ----- 65010
 - BORDER ----- SCARLET HL ----- 67111
 - LETTERS, SMALL STARS AND DOTS ON INNER DISC - WHITE - HA ----- 67101
 - LARGE STAR ----- WHITE ----- 80001
 - EAGLE
 - BODY, LEGS, EYE AND BEAK ----- AIR FORCE YELLOW HC ----- 67103
 - OUTLINED & DETAILED -- ULTRAMARINE BLUE HS ----- 67118
 - HEAD AND TAIL FEATHERS - WHITE HA ----- 67101
 - OUTLINED & DETAILED - ULTRAMARINE BLUE HS ----- 67118
 - OLIVE BRANCH - WHITE HA ----- 67101
 - OUTLINED & DETAILED - ULTRAMARINE BLUE HS ----- 67118
 - ARROW SHAFTS ----- ULTRAMARINE BLUE HS ----- 67118
 - ARROW HEAD & FEATHERS - AIR FORCE YELLOW HC ----- 67103
 - OUTLINED ----- ULTRAMARINE BLUE HS ----- 67118
 - SHIELD
 - CHIEF ----- ULTRAMARINE BLUE HS ----- 67118
 - NUMERALS ----- WHITE HA ----- 67101
 - STRIPES - ALTERNATING - WHITE HA ----- 67101
 - AND ----- SCARLET HL ----- 67111
 - OUTER RING ----- AIR FORCE YELLOW ----- 80063
 - LETTERS & OUTLINE OF ROPE ----- ULTRAMARINE BLUE HS ----- 67118

COLOR GUIDE SKETCH REQUIRED

DEVICE 1/2 ACTUAL SIZE

UNLESS OTHERWISE SPECIFIED DIMENSIONS ARE IN INCHES TOLERANCES ON FRACTIONS DECIMALS ANGLES		THE INSTITUTE OF HERALDRY, U. S. ARMY CAMERON STATION, ALEXANDRIA, VA 22304-5050	
MATERIAL:		DISTINGUISHING FLAG DEPARTMENT OF JUSTICE THE UNITED STATES MARSHAL	
EXAMINED	APPROVED	SIZE	CODE IDENT. NO.
CHECKED	<i>Gerald F. Luchino</i>	D	22571
PREPARED	<i>Gerald F. Luchino</i>	5-1-671	
APPROVED		SCALE	DATE
<i>Gerald F. Luchino</i> GERALD F. LUCHINO, COLONEL, GS DIRECTOR			17 JANUARY 1986