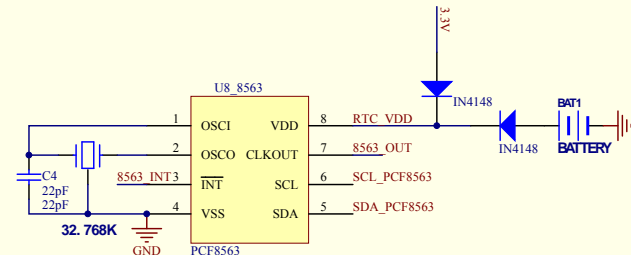
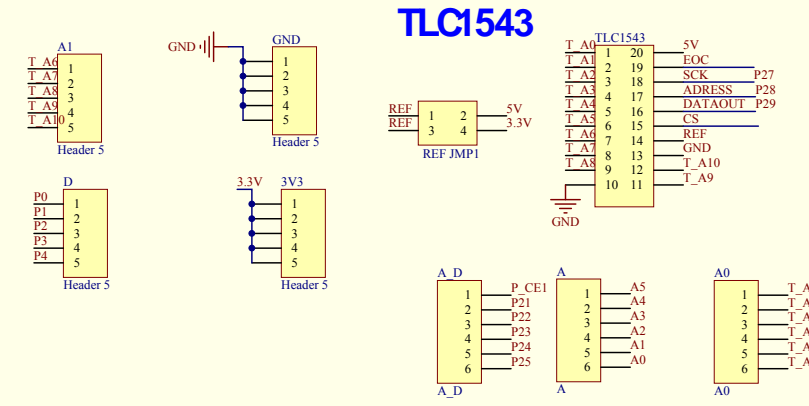
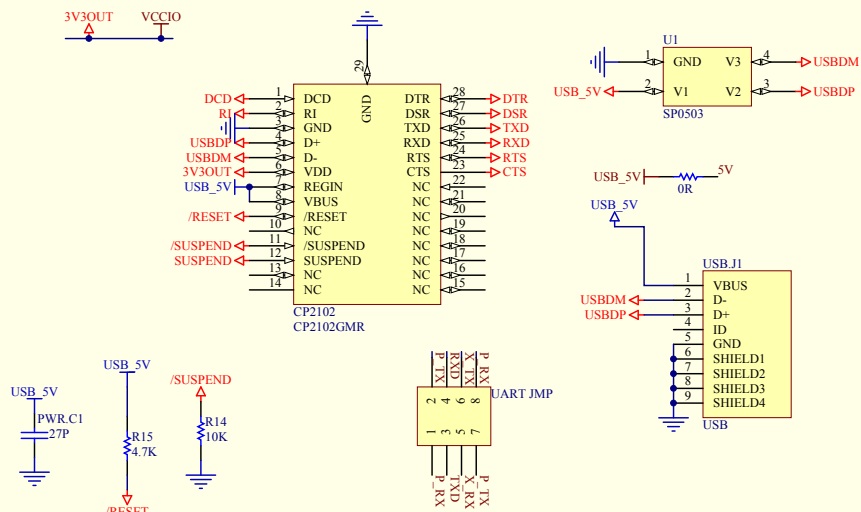


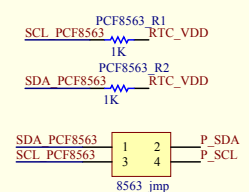
USB TO USART0



SpotPear
SpotPear_LOGO

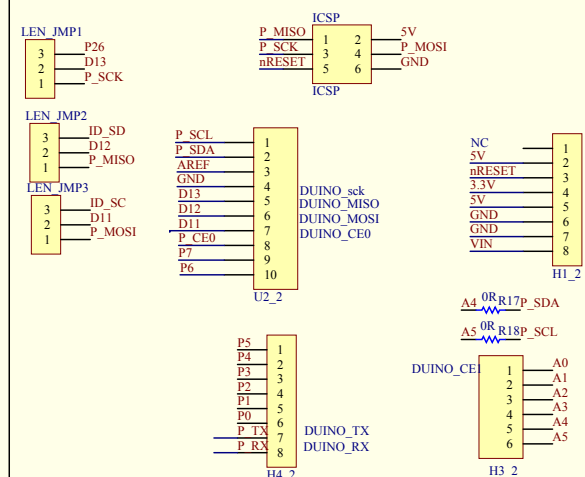
W
aveshare

PCF8563



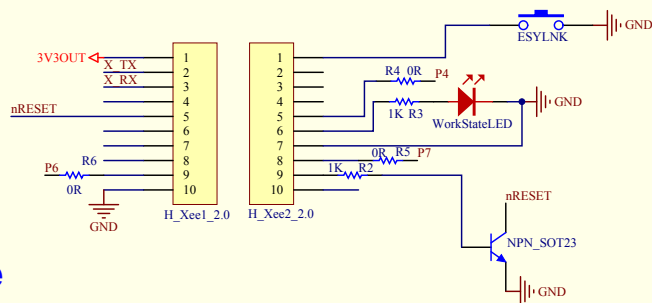
wiringPi PIN	BCM GPIO	3.3V	PI	5V	BCM GPIO	wiringPi PIN
3	3	3.3V	1	5V	5	5
8	va:0/vb:2	P_SDA	3	5V	5	5
9	va:1/vb:3	P_SCL	4	GND	GND	GND
7	4	P7	5	P_TX	14	15
GND	GND	GND	7	P_RX	15	16
0	17	P0	9	PI	18	1
2	va:21/vb:27	P2	11	GND	GND	GND
3	22	P3	12	P4	23	4
3.3V	3.3V	GND	13	P5	24	5
12	10	P_MISO	14	GND	GND	GND
13	9	P_MISO	15	P6	25	6
14	11	P_SCK	16	P_CE0	8	10
GND	GND	GND	17	P_CE1	7	11
ID_SD/30	ID_SD	GND	18	GND	GND	GND
21	5	P21	19	ID_SC	ID_SC/31	7
22	6	P22	20	GND	GND	GND
23	13	P23	21	P26	12	26
24	19	P24	22	GND	GND	GND
25	26	P25	23	P27	16	27
GND	GND	GND	24	P28	20	28
			25	P29	21	29
			26			
			27			
			28			
			29			
			30			
			31			
			32			
			33			
			34			
			35			
			36			
			37			
			38			
			39			
			40			

Ar dui no



Raspberry Pi

XBee



Title		
Size	Number	Revision
A4		
Date:	2014-11-21	Sheet of
File:	E:\PCB\ARPI600\ARPI600.SchDoc	Drawn By: