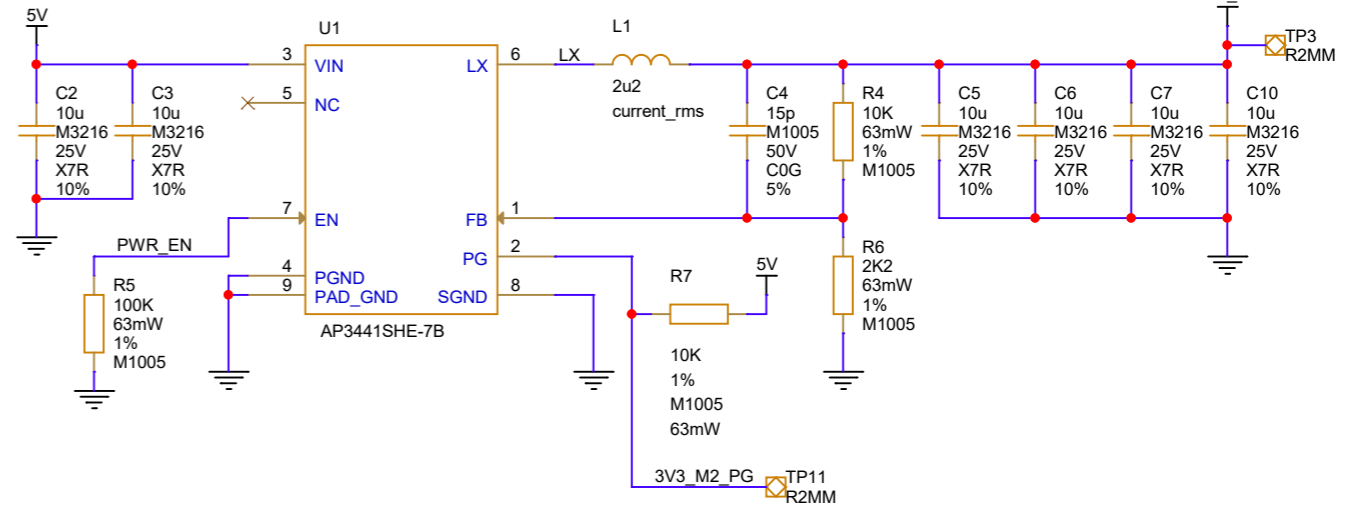
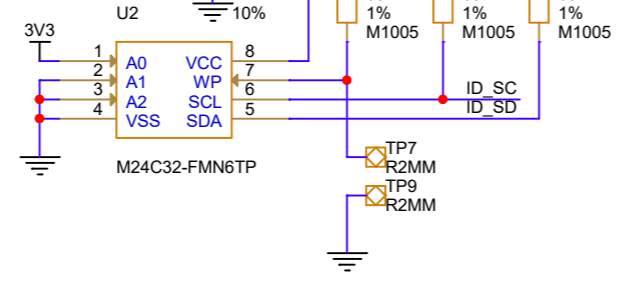
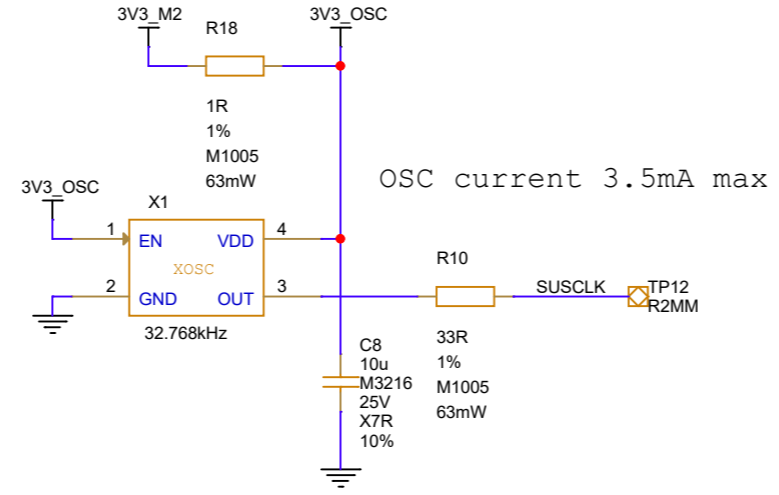
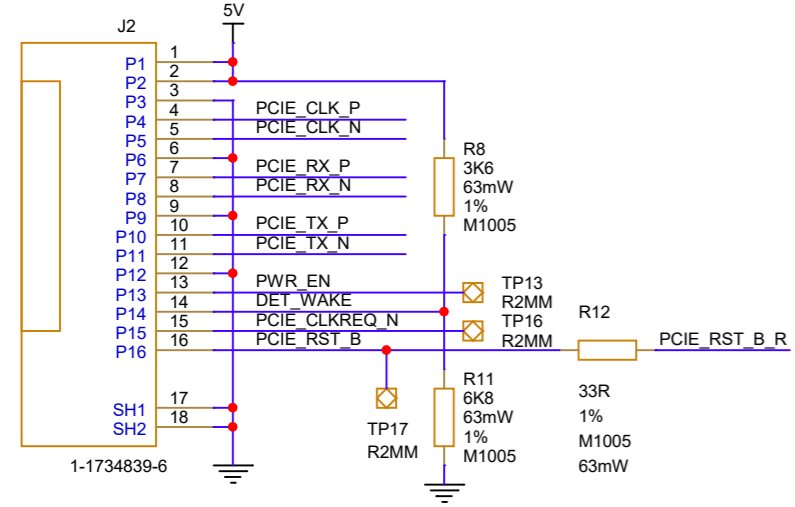


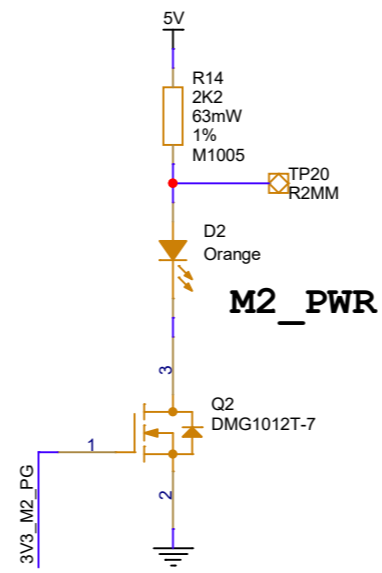
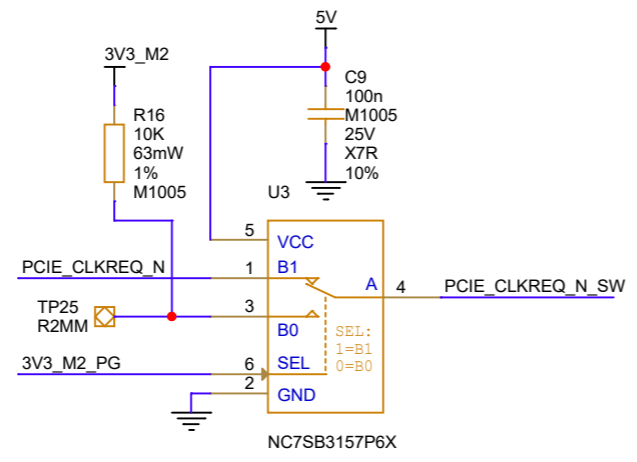
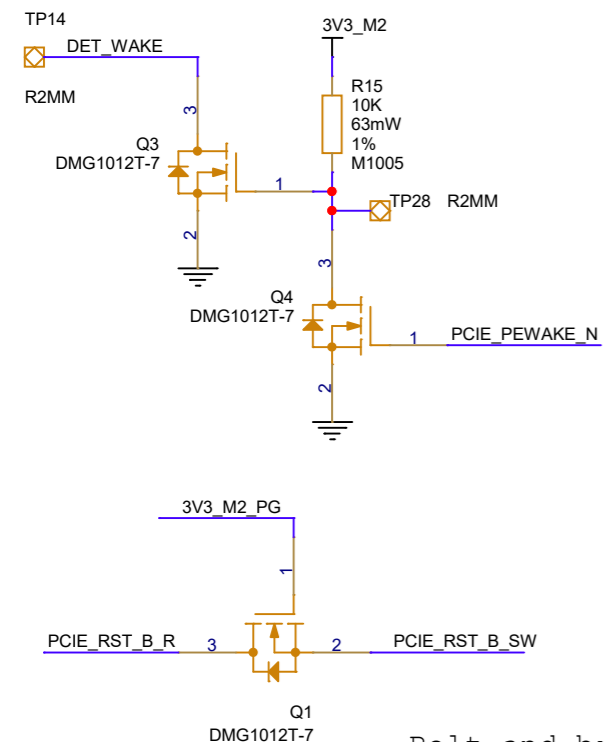
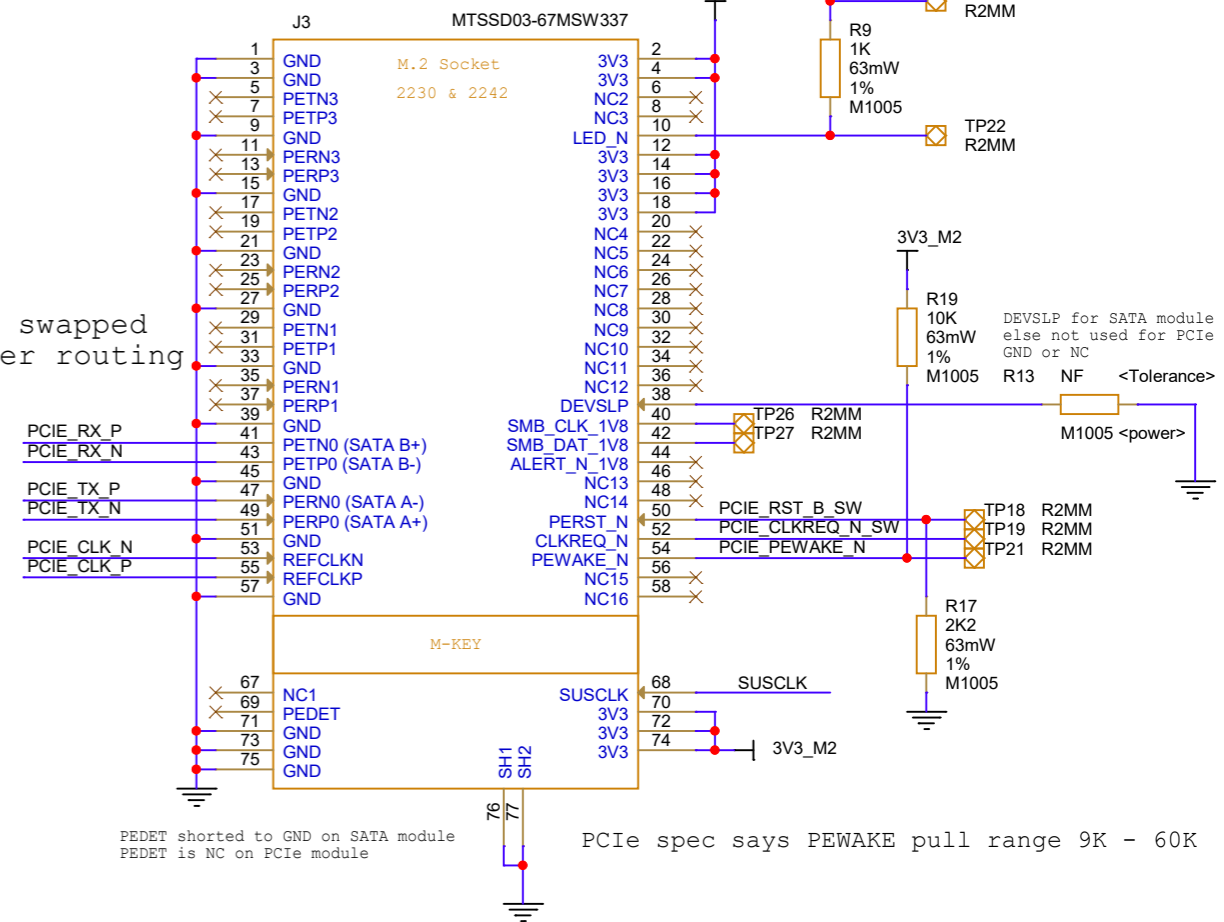
Stackable HAT+



TOP CONTACT



NOTE P/N swapped for better routing



PEDET shorted to GND on SATA module
PEDET is NC on PCIe module

PCIe spec says PEWAKE pull range 9K - 60K

Belt and braces isolate CLKREQ and RESET when M2 power off

PERST_N: PCIe Reset. When asserted low the device performs a reset.
CLKREQ_N: Request to run/stop ref clk (also used for link power state signalling)
PEWAKE_N: Asserted low by device to wakeup PCIe host



Title		Raspberry Pi M.2 M-Key HAT+		Drawn By		James Adams	
Size	A3	Ref	RPI-M2MKEY-HAT	Rev	3		
Date:	Friday, January 05, 2024			Sheet	1 of 1		