



# HENRY®

Made In America, Or Not Made At All

HenryUSA™

# U.S. Survival .22

*Instruction Manual For All H002 Series Rifles*



Made In America, Or Not Made At All

IS A REGISTERED TRADEMARK  
OF THE HENRY REPEATING ARMS COMPANY

TEL. **201-858-4400** | FAX. **201-858-4435**

WEBSITE. **[www.henryusa.com](http://www.henryusa.com)**

**Important:**

Study this instruction manual  
carefully before you handle this firearm.

**Made in America**



**WARNING: BEFORE USING FIREARM, READ AND FOLLOW THESE INSTRUCTIONS.**

If there is anything you do not understand,  
get help from someone qualified to teach the safe handling of firearms.

## THE HENRY GUARANTEE

Thank you very much for spending your hard earned money to purchase a Henry. I certainly appreciate it and welcome you to the Henry family. As an owner of a Henry, you are backed by our lifetime warranty and my personal guarantee for 100% satisfaction. I will do what it takes to make certain you are happy with your purchase.

Sincerely,

*Anthony Imperato*

**Henry Repeating Arms**

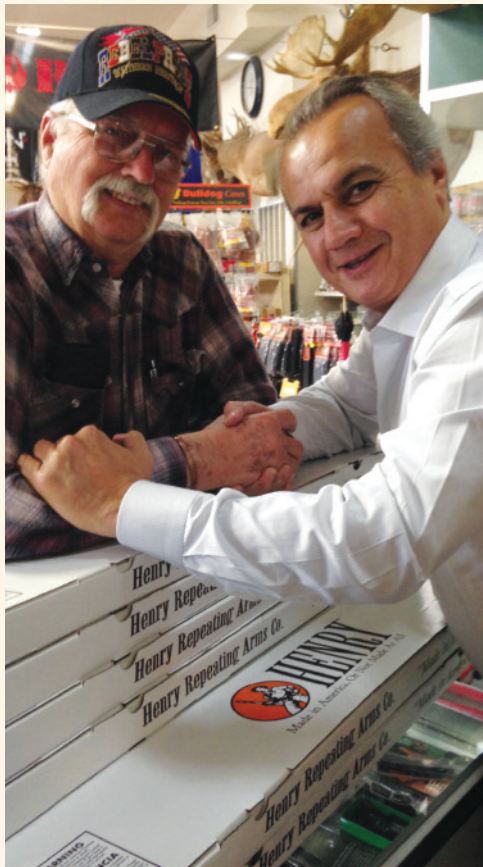
Telephone: 201.858.4400

Web: [www.henryusa.com](http://www.henryusa.com)

*We are confident that you'll enjoy and be proud to own any of our Henry firearms, well known for their reliability, accuracy, handsome looks and smooth action.*

*Our goal has and always will be to manufacture a line of classic, well-crafted firearms that every enthusiast would find readily affordable.*

*We take great pride in manufacturing our shotguns in the United States, hence our corporate motto "Made in America, or Not Made at All".*



**HENRY**<sup>®</sup>  
Made In America,  
Or Not Made At All

Use the space below to record information about your new firearm.

Serial Number \_\_\_\_\_

Caliber \_\_\_\_\_

Purchase Price \_\_\_\_\_

Purchased From \_\_\_\_\_

Date of Purchase \_\_\_\_\_

Henry Repeating Arms Company  
59 East 1st Street  
Bayonne, NJ 07002

If you have any questions or comments regarding your new Henry firearm, please feel free to write or call us.

## **SIMPLE LIMITED LIFETIME WARRANTY ON ALL HENRY FIREARMS**

It is our promise to you that as long as you own your Henry firearm, it will be free from defects in material and workmanship from the manufacturer. If you have a problem with your Henry firearm, we will fix it at no charge to you. Henry Repeating Arms shall repair, send replacement parts or replace the firearm with a valid warranty claim. If a complete replacement is necessary, the original firearm will not be returned. Henry RAC will provide repairs or replacement at no charge, but will not offer cash, credit, or refund.

**WE RESERVE THE RIGHT TO REFUSE SERVICE ON FIREARMS THAT HAVE BEEN ALTERED, ADDED TO, OR SUBSTANTIALLY CHANGED.** Removal of metal from the barrel, or modifications of the firing mechanism and/or operating parts, may lead to a refusal of service on such firearms. There will be a charge for parts and labor to return the firearm to original specifications.

**DO NOT, UNDER ANY CIRCUMSTANCES, ALTER THE TRIGGER, "SAFETY" OR OTHER PARTS OF FIRING MECHANISM OF THIS OR ANY OTHER FIREARM. FAILURE TO OBEY THIS WARNING MAY RESULT IN INJURY OR DEATH.**

**NOTICE:** Henry RAC shall not be responsible for injury, death, or damage to property resulting from either intentional or accidental discharge of this firearm, or from its function when used for purposes or subjected to treatment for which it is not designed.

Whether or not you are experienced in the safe handling of firearms, we urge you to read this entire instruction manual carefully. You must follow the safety instructions for your safety and the safety of others. Should you have any questions concerning the instructions in this manual, please call us at 201-858-4400.

**WARNING:** If you have little or no experience in the safe handling and operation of a firearm, we strongly urge you to take a firearms safety course from an NRA Certified Instructor or someone with equivalent qualifications before using this or any other firearm. You can contact the NRA Firearms Education and Safety Division at 703-267-1470 for the name of an instructor in your area, or contact your firearms dealer, law enforcement agency or local sportsman's club for training

## Table of Contents

<b>Cautions</b>	
Handling Cautions . . . . .	<b>4</b>
Range Cautions . . . . .	<b>4</b>
Loading/Unloading Cautions . . . . .	<b>4</b>
Shooting Cautions . . . . .	<b>5</b>
Malfunction Cautions . . . . .	<b>6</b>
Cleaning & Storage Cautions . . . . .	<b>6</b>
Storage . . . . .	<b>6</b>
Ammunition . . . . .	<b>6</b>
<b>Operating Instructions</b>	
How To Assemble . . . . .	<b>7</b>
How To Operate Your Henry . . . . .	<b>7</b>
<b>Maintenance</b>	
How To Clean Your Henry . . . . .	<b>8</b>
How to Disassemble Your Henry . . . . .	<b>8</b>
Gun Parts . . . . .	<b>10</b>
Service and Repair . . . . .	<b>11</b>

---

## CAUTIONS:

### GENERAL HANDLING CAUTIONS

**ALWAYS HANDLE YOUR FIREARM AS IF IT WERE LOADED** so that you never fire it accidentally when you think it is unloaded.

**NEVER POINT YOUR FIREARM AT ANYTHING YOU DO NOT INTEND TO SHOOT** so that if it fires accidentally, injury, death, or damage to property will be avoided.

**NEVER TAKE ANYONE'S WORD THAT A GUN IS UNLOADED.** Check for yourself with fingers off the trigger and gun pointed in a safe direction so that you never fire the gun accidentally when you think it is unloaded.

**ALWAYS CHECK TO MAKE SURE YOUR FIREARM IS NOT LOADED WHEN HANDING IT TO ANOTHER PERSON.**

**ALWAYS KEEP AND CARRY YOUR FIREARM EMPTY WITH THE HAMMER IN THE "SAFE" POSITION** except when you intend to shoot, so that your firearm cannot be fired when you do not intend to fire it.

**ALWAYS BE AWARE OF POSSIBLE RISK FROM DROPPING YOUR FIREARM.** Some parts of the mechanism could be damaged. You may not see the damage, but it is severe. The firearm may discharge and cause injury, death, or damage to property. If your firearm has been dropped, have it examined by a competent gunsmith before using it again.

**NEVER LEAVE A FIREARM COCKED AND READY TO FIRE,** as this condition is extremely dangerous and the firearm could easily be accidentally discharged, causing injury, death, or damage to property.

**NEVER LEAVE A LOADED FIREARM UNATTENDED.** Someone, especially a child, may fire it and cause injury, death, or damage to property.

**ALWAYS INSTRUCT CHILDREN TO RESPECT FIREARMS.** If you teach your children to shoot or get them trained by a qualified instructor, be certain they know how to use the firearm properly and always supervise them closely. Always stress safety so that your children will not fire a rifle when or where it is unsafe to do so.

### RANGE CAUTIONS

Always be sure your backstop is adequate to stop and contain bullets before beginning target practice so that you do not hit anything outside the range shooting area. Think! What will you HIT if you Miss the target?

**ALWAYS PUT A KNOWLEDGEABLE AND RESPONSIBLE PERSON IN CHARGE TO MAINTAIN SAFETY CONTROL WHEN A GROUP IS FIRING ON A RANGE.** Obey his commands so that discipline is maintained to reduce the possibility of accidents.

**ALWAYS CARRY YOUR FIREARM EMPTY WITH THE ACTION OPEN WHILE ON A RANGE** until preparing to fire and keep it pointing towards the backstop when loading, firing, and unloading to eliminate the risk of injury, death or damage to property.

### LOADING/UNLOADING CAUTIONS

**ALWAYS BE SURE BARREL, BORE, CHAMBER, AND ACTION ARE CLEAN AND CLEAR OF OBSTRUCTIONS.** Clean a fouled firearm immediately so that it will function correctly and safely.

---

**ALWAYS USE ONLY CLEAN, DRY, HIGH-QUALITY, COMMERCIALY MANUFACTURED AMMUNITION IN GOOD CONDITION AND APPROPRIATE TO THE CALIBER OF YOUR FIREARM.** Gun and ammunition manufacturers design their products within exacting engineering safety limits. Handloads and remanufactured ammunition are sometimes outside those limits and could blow up the chamber, bolt and receiver of any firearm and cause injury, death or damage to property.

## **SHOOTING CAUTIONS**

**NEVER DRINK ALCOHOLIC BEVERAGES OR TAKE DRUGS BEFORE OR DURING SHOOTING** as your vision, coordination, and judgement could be seriously impaired, making your gun handling unsafe.

**ALWAYS SEEK A DOCTOR'S ADVICE IF YOU ARE TAKING MEDICATION** to be sure you are fit to shoot and handle your firearm safely.

**ALWAYS WEAR AND ENCOURAGE OTHERS TO WEAR EAR PROTECTION WHEN SHOOTING,** especially on a range. Without ear protection, the noise of even one shot from your rifle and from other guns close to you could leave a "ringing" in the ears for some time after firing and the cumulative long term effect could be permanent hearing loss.

**ALWAYS WEAR AND ENCOURAGE OTHERS TO WEAR PROTECTIVE SHOOTING GLASSES.** Flying particles could damage eyes and cause blindness. Protective shooting glasses can prevent such an injury.

**ALWAYS KEEP THE HAMMER IN THE "SAFE" POSITION UNTIL YOU ARE READY TO FIRE.** This will minimize the risk of an accidental discharge.

**ALWAYS KEEP CLEAR AND KEEP OTHERS CLEAR OF THE EJECTION PORT.** Spent cartridges are ejected with enough force to cause injury. The ejection port must also be unobstructed by your hand to insure safe ejection of spent rounds. Never place fingers in ejection port - they could be burned by hot metal or injured by the bolt moving forward.

**NEVER PUT YOUR FINGER INSIDE THE TRIGGER GUARD UNTIL YOU ARE AIMING AT A TARGET AND READY TO SHOOT.** This will prevent you from firing the firearm when it is pointing in an unsafe direction.

**ALWAYS BE ABSOLUTELY SURE OF YOUR TARGET AND THE AREA BEHIND IT BEFORE YOU SQUEEZE THE TRIGGER.** A bullet could travel through or past your target for up to 11/2 miles. If in doubt, don't shoot! Think! What will you HIT if you MISS the target?

**NEVER SHOOT AT A HARD SURFACE SUCH AS ROCK OR A LIQUID SURFACE SUCH AS WATER.** A bullet may ricochet and travel in any direction to strike you or an object you cannot see, causing injury, death or damage to property.

**NEVER DISCHARGE A FIREARM NEAR FLAMMABLE MATERIAL.** Flame and sparks erupt from the firearm when discharged. They could start a fire or cause flammable liquids and gasses to explode.

**NEVER FIRE YOUR FIREARM NEAR AN ANIMAL** unless it is trained to accept the noise - an animal's startled reaction could injure it or cause an accident.

**NEVER INDULGE IN "HORSEPLAY" WHILE HANDLING YOUR FIREARM** because doing so could cause an accidental discharge.

---

NEVER WALK, CLIMB, OR FOLLOW A COMPANION WITH YOUR FIREARM COCKED AND READY TO FIRE to eliminate risk of accidental discharge. When hunting, hold your firearm so that you can always control the direction of the muzzle.

## MALFUNCTION CAUTIONS

**FAILURE TO FIRE:** IF THE FIREARM FAILS TO FIRE DO NOT PUT IT DOWN OR OPEN THE ACTION. ALWAYS HOLD THE FIREARM, KEEPING IT POINTED IN A SAFE DIRECTION AND WAIT 30 SECONDS. IF A HANGFIRE (SLOW IGNITION) HAS OCCURRED, THE ROUND WILL FIRE WITHIN 30 SECONDS. If the round does not fire, remove the ammunition, eject the round and examine the cartridge. If the firing pin indent on the rim is light or non-existent, have the firearm examined by a competent gunsmith before firing again. If the firing pin indent on the rim appears normal (in comparison with similar previously fired rounds) assume you have faulty ammunition. Segregate the misfired round from other live firearm ammunition and empty cases, reload, and carry on firing.

**Note:** Dispose of misfired rounds in accordance with ammunition manufacturer's instructions.

NEVER USE YOUR FIREARM IF IT FAILS TO FUNCTION PROPERLY, AND NEVER FORCE A JAMMED ACTION. Forcing the action could make the round explode, causing serious injury, possible death, or severe damage to your firearm or other property.

## CLEANING AND STORAGE CAUTIONS

ALWAYS CHECK TO MAKE SURE YOUR FIREARM IS NOT LOADED BEFORE CLEANING, STORING, TRAVELING, LAYING IT DOWN, OR HANDING IT TO ANOTHER PERSON so that it cannot be fired when it is unsafe to do so.

ALWAYS KEEP AND STORE YOUR FIREARM AND AMMUNITION IN SEPARATE, LOCKED LOCATIONS, OUT OF REACH AND SIGHT OF CHILDREN AND UNTRAINED PEOPLE to minimize the risk of rifle and ammunition being easily available for loading and firing by unauthorized persons.

## STORAGE

**CAUTION:** ALWAYS UNLOAD YOUR FIREARM FOR STORAGE AND STORE AMMUNITION SEPARATELY. Keep and store your firearm and ammunition securely locked and in separate locations out of reach and sight of children. Children are naturally curious and do not always understand the real danger of guns.

**NOTE:** Do not store your firearm in an air-tight container, and do not seal or attempt to seal the barrel to exclude dust, as the internal steel surface is more likely to rust or corrode by doing this.

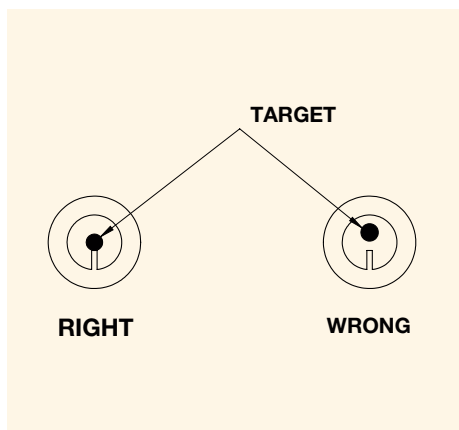
**WARNING:** When you squeeze the trigger, you must expect the gun to fire and you must take full responsibility for firing it. Your care can avoid accidental discharge and you will thereby avoid accidental injury, death and property damage.

**WARNING:** DISCHARGING FIREARMS IN POORLY VENTILATED AREAS, CLEANING FIREARMS OR HANDLING AMMUNITION MAY RESULT IN EXPOSURE TO LEAD, A SUBSTANCE KNOWN TO CAUSE BIRTH DEFECTS, REPRODUCTIVE HARM AND OTHER SERIOUS PHYSICAL INJURY. HAVE ADEQUATE VENTILATION AT ALL TIMES. WASH HANDS THOROUGHLY AFTER EXPOSURE.

## AMMUNITION SELECTION

Henry RAC Firearms are designed to function with a variety of brands and types of factory-manufactured ammunition in the appropriate caliber but not all ammunition produces the same result. Henry RAC recommends that after you read and understand this manual, you go to the range and fire different ammunition which is appropriate to the caliber of your firearm. Once you find the ammunition which functions best, keep using it. Especially when cutting-edge reliability and accuracy are vital to you. When sighting your rifle, shoot a group to determine point of impact on the target. Then make incremental adjustments to center the point of impact on the target bullseye. This gun will not cycle subsonic ammunition. We recommend you use high or hyper velocity ammunition.

### OPERATING INSTRUCTIONS FOR YOUR HENRY U.S. SURVIVAL RIFLE .22



#### HOW TO ASSEMBLE YOUR HENRY U.S. SURVIVAL RIFLE .22

Remove the stock cap by holding the stock between your arm and chest and with both hands use pressure with your thumb to pry off the cap.

Remove the Barrel, action and one or both magazines from the stock.

**WARNING:** Be careful when removing parts from the stock to prevent them from falling to the ground and causing damage. The charging handle can fall from the action, if not held right side up.

Place the stock cap back on the stock.

Connect the action to the stock by inserting the rear portion of the action onto the forward slot on the stock. To secure the action to the stock, hold both firmly in place and rotate the stock takedown nut in the base of the pistol grip portion of the stock until it is firmly and tight.

Attach the barrel to the action by lining up the barrel lug guide on the rear portion of the barrel with the slot in the upper forward part of the action. Lock the barrel into place by rotating the barrel nut. Make certain that the barrel is secured very tightly to the action.

#### HOW TO OPERATE YOUR HENRY U.S. SURVIVAL RIFLE .22

**WARNING:** If you have little or no experience in the safe handling of firearms, we strongly urge that you take a firearms safety course from an NRA certified instructor, or from someone with equivalent qualifications. You can contact the NRA Firearms Education and Safety Division at 703-267-1470 for the name of an instructor in your area.

**CAUTION:** Always keep the muzzle pointed in a safe direction.

Load a magazine with 8 cartridges of .22 Long Rifle rimfire ammunition. You can use either standard or higher velocity. We find that the gun functions best with .22LR high velocity.

---

Prior to inserting the magazine, we recommend lubricating the action with premium quality gun oil. Insert the magazine in the magazine well, an opening at the bottom of the receiver. Grasp the charging handle knob with thumb and index finger and pull straight out to the right. This will allow the shooter to “hook” the index finger around the handle in order to work the action.

Pull the charging handle fully to the rear and then release it to allow the bolt to move forward.

**WARNING** The firearm is now ready to fire. Do not touch the trigger unless you intend to fire.

If you do not intend to fire the firearm immediately, you must activate the thumb safety on the right rear of the receiver by rotating the safety lever to the rear, in the direction of the arrow marked “SAFE”

**WARNING** Keep the safety on at all times when the firearm is cocked and loaded, unless you intend to fire at a target. The safety cannot be engaged on the Henry U.S. Survival Rifle unless the hammer and trigger sear surfaces are engaged by cocking the bolt.

If you intend to fire the rifle, take aim and make certain that you are firing in a safe environment, that you or no other person is in danger. Next, disengage the safety by rotating forward. When on target, pull the trigger and fire. Upon firing, the rifle will immediately eject the fired cartridge and will automatically chamber another live cartridge. If you do not wish to continue firing, switch the safety back into the safe position and unload the rifle as per the following instruction.

At the completion of firing, or whenever a cartridge has been chambered by operation of the bolt and you do not wish to fire it, unload the firearm by

Placing the safety in the “SAFE” position.

Removing the magazine

Pulling the charging handle to the rear to eject any cartridge in the chamber.

**WARNING:** Always unload your gun when you have finished shooting, Making certain that the magazine and chamber are empty before putting your gun away.

## MAINTENANCE

### HOW TO CLEAN YOUR HENRY U.S. SURVIVAL RIFLE

Be sure that your gun is unloaded before attempting to clean.

The gun owner is responsible for periodic inspection and proper maintenance by a qualified gunsmith to ensure that this firearm remains in proper adjustment and that worn parts are replaced.

**REMEMBER-** Rust is neglect- Make sure all exposed metal surfaces are coated with a film of oil. After being subjected to damp weather, thoroughly wipe the bore and wipe off the metal surfaces. Then apply a new film of oil. If exposed to a soaking rain, snow or salt spray a more thorough cleaning and oiling may be necessary, requiring removal of the trigger guard and breech bolt assemblies.

Between seasons, apply a coat of grease to the bore and metal parts and store in a dry place. Do not plug the barrel, or store in a case made of fabric or material which will absorb the lubricant from the gun.



---

To keep the bore in good condition, be sure that it is cleaned and oiled after each shooting session. Scrub with a nylon or brass brush which has been dipped in a solvent or bore cleaner. Remove the barrel from the action and clean from the breech end. Pass several cloth patches through the bore to remove all solvent. After removing the solvent, oil the bore with a good grade of gun oil on a cloth patch. Wipe any residue of oil before shooting.

## HOW TO **DISASSEMBLE YOUR HENRY U.S. SURVIVAL RIFLE**

Make certain that your rifle is not loaded.

Remove the magazine by pressing the magazine release, which can be found within the forward portion of the trigger guard.

Disengage the barrel from the action by rotating the barrel nut counterclockwise until it is free of the threads and remove the barrel. Hold the receiver right side up to prevent the loss of the charging handle.

Disengage the action from the stock by rotating the stock takedown nut counterclockwise until it is loose and you can separate the action from the stock.

Remove the stock cap and return the barrel, action and magazines to the interior of the stock. Replace the stock cap on stock.

### **To clean the action, use the following instructions.**

Cock the action.

Remove the magazine.

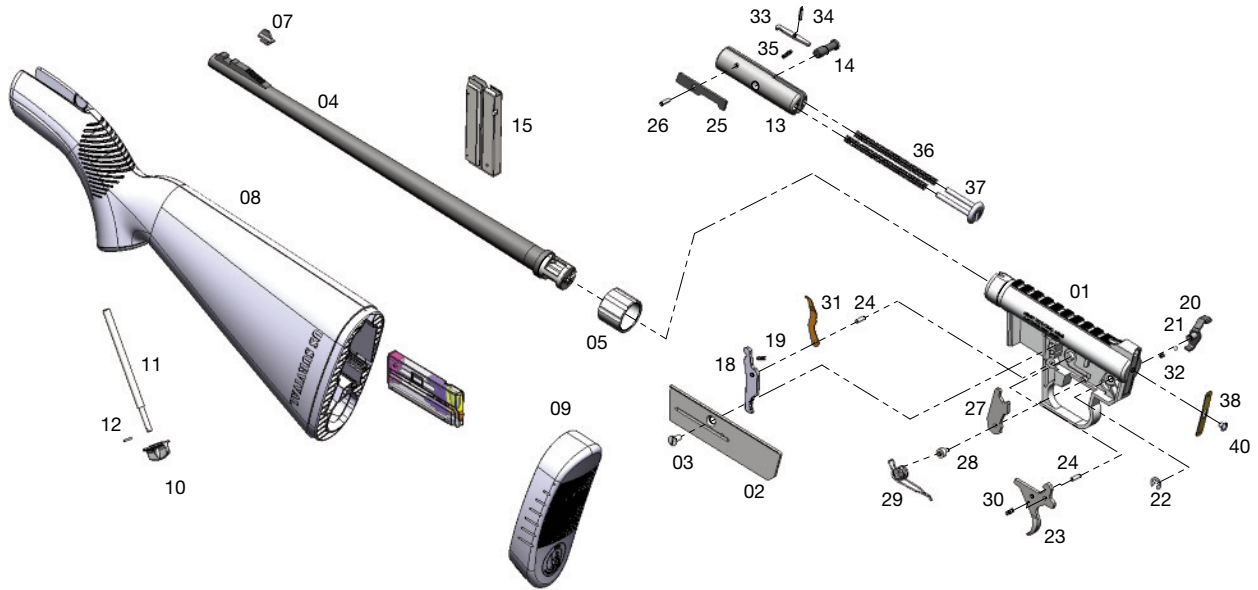
Insert your index finger into the front of the action and depress the bolt until the charging handle is free to be removed.

Tilt the action forward and remove the bolt, action springs and action spring guide.

For reassembly, reverse the disassembly instructions.



## ILLUSTRATION OF PARTS



- |                                  |                                 |                                     |
|----------------------------------|---------------------------------|-------------------------------------|
| <b>1</b> Receiver                | <b>15</b> Magazine complete     | <b>30</b> Hammer/trigger safety pin |
| <b>2</b> Sideplate               | <b>18</b> Magazine latch        | <b>31</b> Ejector                   |
| <b>3</b> Sideplate screw         | <b>19</b> Magazine latch spring | <b>32</b> Ball spring               |
| <b>4</b> Barrel assembly         | <b>20</b> Safety plate/shaft    | <b>33</b> Extractor                 |
| <b>5</b> Barrel nut              | <b>21</b> Safety det ball       | <b>34</b> Extractor ASSB pin        |
| <b>7</b> Front sight             | <b>22</b> Safety snap ring      | <b>35</b> Extractor spring          |
| <b>8</b> Stock w/ cap            | <b>23</b> Trigger               | <b>36</b> Action springs (2)        |
| <b>9</b> Stock cap only          | <b>24</b> Trigger pivot pin     | <b>37</b> Action spring guide       |
| <b>10</b> Stock takedown nut     | <b>25</b> Firing pin            | <b>38</b> Rear sight only           |
| <b>11</b> Stock takedown screw   | <b>26</b> Firing pin ASSB pin   | <b>40</b> Rear sight screw          |
| <b>12</b> Stock takedown rollpin | <b>27</b> Hammer                |                                     |
| <b>13</b> Bolt                   | <b>28</b> Hammer pivot pin      |                                     |
| <b>14</b> Charging handle        | <b>29</b> Hammer/trigger spring |                                     |

**⚠ WARNING:** This product can expose you to chemicals including lead, which is known to the State of California to cause cancer and birth defects or other reproductive harm. For more information go to [www.P65Warnings.ca.gov/product](http://www.P65Warnings.ca.gov/product).

---

## GUN PARTS

An illustration and list of part names are included in this manual. Please note that not all parts are available for sale. Those parts which are available should be installed by a licensed gunsmith. When ordering parts, please give part name and part number.

**Important:** If you make unauthorized adjustments or use unauthorized parts, Henry Repeating Arms Company will not assume responsibility for the proper functioning of the firearm.

THIS GUN IS MANUFACTURED TO PERFORM PROPERLY WITH THE ORIGINAL PARTS AS DESIGNED. IT IS YOUR DUTY TO MAKE SURE ANY PARTS YOU BUY ARE INSTALLED CORRECTLY AND THAT NEITHER REPLACEMENTS NOR ORIGINALS ARE ALTERED OR CHANGED. THIS IS WHY WE SAY TAKE IT TO A LICENSED GUNSMITH STATION. YOUR GUN IS A COMPLEX TOOL WITH MANY PARTS THAT MUST RELATE CORRECTLY TO OTHER PARTS. PUTTING A GUN TOGETHER WRONG OR WITH MODIFIED PARTS CAN RESULT IN A DAMAGED GUN, DANGER, AND INJURY OR DEATH TO YOU AND OTHERS THROUGH MALFUNCTION. ALWAYS LET A QUALIFIED GUNSMITH WORK ON YOUR GUN AND CHECK ANY WORK YOU THINK WAS NOT PERFORMED BY A GUNSMITH.

## SERVICING AND REPAIR

If you believe that your Henry firearm requires repair or adjustment, we suggest that you first contact our Customer Service by visiting the "Contact Us" page on our website, or by phone at 201.858.4400. It may be a problem that we can resolve by phone or by sending a replacement part. For international customers please visit the "Contact Us" page on our website for instructions.

In the unlikely event that your firearm requires adjustments or repair, please make certain that it is unloaded and send it to us at the following address:

HRAC

**Att: Repair Dept.**

59 East 1st Street

Bayonne, New Jersey 07002

Enclose an explanation of the problem in as much detail as possible.

Make certain to include your complete name, address, phone number and serial number. Make sure your firearm is packaged to prevent it from being damaged. The package should be insured to protect against LOSS OR THEFT.

DO NOT INCLUDE "HENRY REPEATING ARMS" IN THE ADDRESS ON THE PACKAGE, IN ORDER TO PREVENT AN INQUISITIVE THIEF FROM BEING ATTRACTED TO IT BY SUCH INFORMATION.

YOU CAN USE THE ORIGINAL BOX FOR RETURN, HOWEVER, YOU SHOULD MAKE SURE IT IS WRAPPED IN A BROWN OR OTHER COLORED PAPER AS TO NOT INDICATE THAT THE BOX CONTAINS A FIREARM. THIS HELPS TO MAINTAIN THE CONFIDENTIALITY OF YOUR RIFLE TO ENSURE IT GETS BACK TO US SAFELY.

## NEW PRODUCTS FROM HENRY

Henry Repeating Arms Company will endeavor to introduce and manufacture other fine firearms, all made in America, of high quality and at affordable prices.

Telephone: **201-858-4400** • Fax: **201-858-4435** • Website: **www.henryusa.com**

---

## SOCIALIZE WITH HENRY AND HENRY OWNERS

Keep up to date with new inventions and products from Henry as well as meet other Henry owners around the country by joining the conversation and liking our social media accounts:

 [www.facebook.com/henryrepeating](http://www.facebook.com/henryrepeating)

 @Henry\_Rifles

 @HenryRifles

 [www.youtube.com/c/HenryriflesUSA](http://www.youtube.com/c/HenryriflesUSA)

Be the first to know about new products and events by subscribing to our e-mail list: [www.henryusa.com/maillinglist](http://www.henryusa.com/maillinglist)

## HENRY CUSTOMER PHOTOS

You may already be famous, but if not, we invite you to send a photo with your Henry for a possible website appearance to: [info@henryusa.com](mailto:info@henryusa.com)

## HENRY ACCESSORIES

Made in America, just like our rifles! Find apparel, slings, scope mounts, gun cases, display cases and more at [www.henrypride.com](http://www.henrypride.com)

# History and Thank You



**Benjamin Tyler Henry.**  
His invention: The Henry Rifle.

Thank you for purchasing your new Henry Firearm. We are proud to have crafted this firearm for you in the great tradition of the Henry Repeating Rifle which dates back to 1860 when the first effective, lever-action repeating rifle was developed by Benjamin Tyler Henry. The lever action is America's unique contribution to international firearms design; We go to great lengths to provide the highest quality of design and craftsmanship for each and every one of our American-Made firearms. You are now a part of the Henry family, and we are thankful to have your support. Your new Shotgun should provide you and your family with many years of safe enjoyment and pride of ownership.

It is imperative that these cautions and operating instructions be thoroughly studied and understood before using your new firearm, in order to ensure proper and safe gun handling. Failure to follow these cautions, warnings and operating instructions could result in damage to your gun or to other property or could result in injury or death to yourself or to others.