



# HENRY®

Made In America, Or Not Made At All

HenryUSA™

## Henry Mini Bolt .22

*Instruction Manual For All H005 Series Rifles*



**Important:**

Study this instruction manual carefully before you handle this firearm.



### HENRY

Made In America, Or Not Made At All

IS A REGISTERED TRADEMARK  
OF THE HENRY REPEATING ARMS COMPANY

TEL. **201-858-4400** | FAX. **201-858-4435**

WEBSITE. **[www.henryusa.com](http://www.henryusa.com)**

**Made in America**



**WARNING: BEFORE USING FIREARM, READ AND FOLLOW THESE INSTRUCTIONS.**

If there is anything you do not understand,  
get help from someone qualified to teach the safe handling of firearms.

## THE HENRY GUARANTEE

Thank you very much for spending your hard earned money to purchase a Henry. I certainly appreciate it and welcome you to the Henry family. As an owner of a Henry, you are backed by our lifetime warranty and my personal guarantee for 100% satisfaction. I will do what it takes to make certain you are happy with your purchase.

Sincerely,

*Anthony Imperato*

**Henry Repeating Arms**

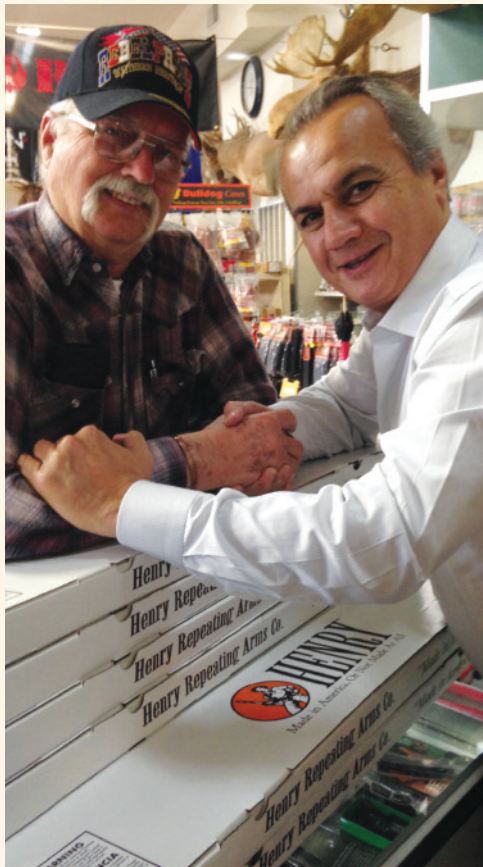
Telephone: 201.858.4400

Web: [www.henryusa.com](http://www.henryusa.com)

*We are confident that you'll enjoy and be proud to own any of our Henry firearms, well known for their reliability, accuracy, handsome looks and smooth action.*

*Our goal has and always will be to manufacture a line of classic, well-crafted firearms that every enthusiast would find readily affordable.*

*We take great pride in manufacturing our firearms in the United States, hence our corporate motto "Made in America, or Not Made at All".*



**HENRY**<sup>®</sup>  
Made In America,  
Or Not Made At All

Use the space below to record information about your new firearm.

Serial Number \_\_\_\_\_

Caliber \_\_\_\_\_

Purchase Price \_\_\_\_\_

Purchased From \_\_\_\_\_

Date of Purchase \_\_\_\_\_

Henry Repeating Arms Company  
59 East 1st Street  
Bayonne, NJ 07002

If you have any questions or comments regarding your new Henry firearm, please feel free to write or call us.

## **SIMPLE LIMITED LIFETIME WARRANTY ON ALL HENRY FIREARMS**

It is our promise to you that as long as you own your Henry firearm, it will be free from defects in material and workmanship from the manufacturer. If you have a problem with your Henry firearm, we will fix it at no charge to you. Henry Repeating Arms shall repair, send replacement parts or replace the firearm with a valid warranty claim. If a complete replacement is necessary, the original firearm will not be returned. Henry RAC will provide repairs or replacement at no charge, but will not offer cash, credit, or refund.

**WE RESERVE THE RIGHT TO REFUSE SERVICE ON FIREARMS THAT HAVE BEEN ALTERED, ADDED TO, OR SUBSTANTIALLY CHANGED.** Removal of metal from the barrel, or modifications of the firing mechanism and/or operating parts, may lead to a refusal of service on such firearms. There will be a charge for parts and labor to return the firearm to original specifications.

**DO NOT, UNDER ANY CIRCUMSTANCES, ALTER THE TRIGGER, "SAFETY" OR OTHER PARTS OF FIRING MECHANISM OF THIS OR ANY OTHER FIREARM. FAILURE TO OBEY THIS WARNING MAY RESULT IN INJURY OR DEATH.**

**NOTICE:** Henry RAC shall not be responsible for injury, death, or damage to property resulting from either intentional or accidental discharge of this firearm, or from its function when used for purposes or subjected to treatment for which it is not designed.

Whether or not you are experienced in the safe handling of firearms, we urge you to read this entire instruction manual carefully. You must follow the safety instructions for your safety and the safety of others. Should you have any questions concerning the instructions in this manual, please call us at 201-858-4400.

**WARNING:** If you have little or no experience in the safe handling and operation of a firearm, we strongly urge you to take a firearms safety course from an NRA Certified Instructor or someone with equivalent qualifications before using this or any other firearm. You can contact the NRA Firearms Education and Safety Division at 703-267-1470 for the name of an instructor in your area, or contact your firearms dealer, law enforcement agency or local sportsman's club for training

## Table of Contents

Gun Safety and Handling . . . . .	4
Terminology . . . . .	5
Specs . . . . .	6
Ammunition . . . . .	6
Shooting Cautions . . . . .	7
<b>Operating Instructions</b>	
How To Use the Safety . . . . .	8
Maintenance Before Use . . . . .	8
How To Load Your Henry . . . . .	8
How To Discharge Your Henry . . . . .	9
How To Fire Your Henry . . . . .	9
How To Unload Your Henry . . . . .	9
Scope Mount . . . . .	9
How To Adjust Your Sights . . . . .	10
Malfunction . . . . .	10
<b>Cleaning, Maintenance &amp; Storage</b>	
How To Clean Your Henry . . . . .	11
Maintenance Before Storage . . . . .	13
Storage Safety . . . . .	13
<b>Parts</b> . . . . .	14
Service and Repair . . . . .	16
Socialize . . . . .	17
History and Thank You . . . . .	17

---

## GENERAL GUN SAFETY HANDLING

Apply the following safety rules in every situation, with any kind of firearm:

**ALWAYS TREAT EVERY FIREARM AS IF IT IS LOADED AND WILL FIRE.** Do not take anyone's word that the firearm is unloaded - always check for yourself. Never pass your firearm to another person until the cylinder or action is open and you visually check that it is unloaded. Keep your firearm unloaded and safely stored when not in use.

**ALWAYS BE SURE OF YOUR TARGET AND WHAT IS BEYOND.** A bullet could travel through or past your target for up to 1 ½ miles. Always be sure your backstop is adequate to stop and contain bullets before beginning target practice so that you do not hit anything outside the range shooting area. If in doubt, don't shoot! Do not fire randomly into the sky.

**NEVER SHOOT ACROSS A HIGHWAY OR ANOTHER ROADWAY.**

**ALWAYS POINT YOUR FIREARM IN A SAFE DIRECTION.** NEVER point a firearm at anyone or anything you do not intend to shoot whether or not it is loaded. This is particularly important when loading, unloading, or field stripping the firearm. ALWAYS control the direction of the firearm; if it fires accidentally, injury, death, or damage to property can be avoided.

**NEVER PLACE YOUR FINGER INSIDE THE TRIGGER GUARD OR ON THE TRIGGER UNLESS YOU INTEND TO FIRE.** You should also take care to ensure that other objects do not touch the trigger.

**NEVER USE ALCOHOL OR DRUGS BEFORE OR WHILE SHOOTING.** Your vision, motor skills and judgment could be dangerously impaired, making your gun handling unsafe to you and to others. Further, do not use your firearm if you are on any medication which impairs, even slightly, your mental or physical ability.

**ALWAYS SEEK A DOCTOR'S ADVICE IF YOU ARE TAKING MEDICATION.** Be sure you are fit to shoot and handle your firearm safely.

**NEVER SHOOT AT A HARD SURFACE SUCH AS A ROCK OR A LIQUID SURFACE SUCH AS WATER.** A bullet may ricochet and travel in any direction to strike you or an object you cannot see, causing injury, death or damage to property.

**NEVER DISCHARGE A FIREARM NEAR FLAMMABLE MATERIAL.** Flame and sparks erupt from the firearm when discharged. They could start a fire or cause flammable liquids to explode.

**ALWAYS BE AWARE OF POSSIBLE RISK FROM DROPPING YOUR FIREARM.** Some parts of the mechanism could be damaged. You may not see the damage, but it could be severe. The firearm may discharge and cause injury, death, or damage to property. If your firearm has been dropped, have it examined by a competent gunsmith before using it again.

**ALWAYS KEEP AND CARRY YOUR FIREARM EMPTY WITH THE HAMMER IN THE "SAFE" POSITION** except when you intend to shoot, so that your firearm cannot be fired when you do not intend to fire it.

**NEVER CROSS OBSTACLES SUCH AS FENCES OR STREAMS WITH A LOADED FIREARM.** Always make certain your firearm is unloaded before crossing a fence, climbing a tree, jumping a ditch or approaching other obstacles.

---

**NEVER TRANSPORT A LOADED FIREARM.** Keep all firearms unloaded during transport, even when stored in a holster, gun case, scabbard or other container.

**NEVER WALK, CLIMB, OR FOLLOW A COMPANION WITH YOUR FIREARM COCKED AND READY TO FIRE.** When hunting, hold your firearm so that you can always control the direction of the muzzle.

**NEVER LEAVE A LOADED FIREARM UNATTENDED.** Someone, especially a child, may fire it and cause injury, death, or damage to property.

**ALWAYS INSTRUCT CHILDREN AND NON SHOOTERS TO RESPECT FIREARMS.** If you teach your children to shoot or get them trained by a qualified instructor, be certain they know how to use the firearm properly and always supervise them closely. Always stress safety so that your children or others will not fire a rifle when or where it is unsafe to do so.

## TERMINOLOGY AND DESCRIPTIONS

Congratulations on your purchase of your Henry Mini Bolt (H005 models).

The Mini Bolt's one-piece synthetic stock has an 11.5" length of pull and is ideally proportioned for smaller shooters. It is a single-shot, weighing in at 3.25 lbs. so kids won't mind toting it to the range or through the woods.

To maximize safety, the Mini Bolt has a manually operated safety switch that, when set, prevents the gun from firing even when cocked. The beavertail forearm includes wraparound checkering that makes it easy for young hands to grip and the stainless steel barrel has high-visibility Williams Fire Sights using two bright green fiber-optic dots on the adjustable rear sight and one red dot for the front bead so young eyes can get on target easily even in low-light conditions.

## SERIAL NUMBER

The serial number is located on the topside of the receiver. Record this number in this manual for future reference.

## HENRY MINI BOLT .22



## SPECS

**Action Type** H005 - Bolt Action

**Caliber** .22 S/L/LR

**Capacity** 1 Round

**Receiver** Stainless Matte

**Barrel Length** 16.25" Round

**Rate of Twist** 1:16

**Overall Length** 30.25"

**Weight** 3.25 lbs.

**Rear Sight** Fiber Optic

**Front Sight** Fiber Optic

**Scope Mount** Drilled and Tapped for MB-CSM

**Stock** Synthetic Black Pistol Grip

**Buttplate/pad** Plastic

**Length of Pull** 11.5"

**Handing** H005 - Black Right Hand

H005L - Black Left Hand

H005MG - Muddy Girl Camo Right Hand

H005S - Orange

**Safety** Thumb Safety

## AMMUNITION .22

Your Henry Mini Bolt uses .22 Rifle Ammunition.

THE CALIBER OF YOUR NEW H005 MINI BOLT ACTION IS INSCRIBED ON THE TOP OF THE BARREL.

FOR SAFETY, USE ONLY CLEAN, DRY, HIGH QUALITY AMMUNITION IN GOOD CONDITION MANUFACTURED AND ASSEMBLED TO INDUSTRY STANDARDS BY REPUTABLE MANUFACTURERS, AND OF THE CORRECT CALIBER AND LOADING FOR YOUR FIREARM. Corrosion, dirt or other foreign matter on a cartridge can impede complete locking of the bolt, and in combination with other faults may result in a burst cartridge case; the same is true of a cartridge that is oversized, damaged or deformed.

ALWAYS HAVE ADEQUATE VENTILATION IN THE AREA THAT YOU DISCHARGE A FIREARM. LEAD EXPOSURE CAN OCCUR FROM DISCHARGING FIREARMS IN POORLY VENTILATED AREAS, CLEANING FIREARMS OR HANDLING AMMUNITION.

Lead is a substance that has been known to cause birth defects, reproductive harm and other serious injury. Wash hands thoroughly after exposure.

## AMMUNITION SELECTION

ALWAYS USE THE CORRECT AMMUNITION FOR YOUR PARTICULAR FIREARM. Henry Repeating Arms Firearms are designed to function with a variety of brands and types of factory manufactured ammunition in the appropriate caliber, but not all ammunition produces the same result. Be sure the only ammunition you carry correctly matches the gauge or caliber you are shooting. Never use non-standard, reloaded, or "hand-loaded" ammunition which has not been subjected to internal ballistic pressure testing. Henry RAC recommends that after you read and understand this manual, you go to the range and fire different ammunition which is appropriate to the caliber of your firearm. Once you find the ammunition which functions best, keep using it.

---

## RANGE AND SHOOTING CAUTIONS

**ALWAYS DESIGNATE A KNOWLEDGEABLE AND RESPONSIBLE PERSON TO BE IN CHARGE TO MAINTAIN SAFETY CONTROL WHEN A GROUP IS FIRING ON A RANGE.** Obey their commands so that discipline is maintained to reduce the possibility of accidents.

**ALWAYS CARRY YOUR FIREARM EMPTY WITH THE ACTION OPEN WHILE ON A RANGE** until preparing to fire and keep it pointing towards the backstop when loading, firing, and unloading to eliminate the risk of injury, death or damage to property.

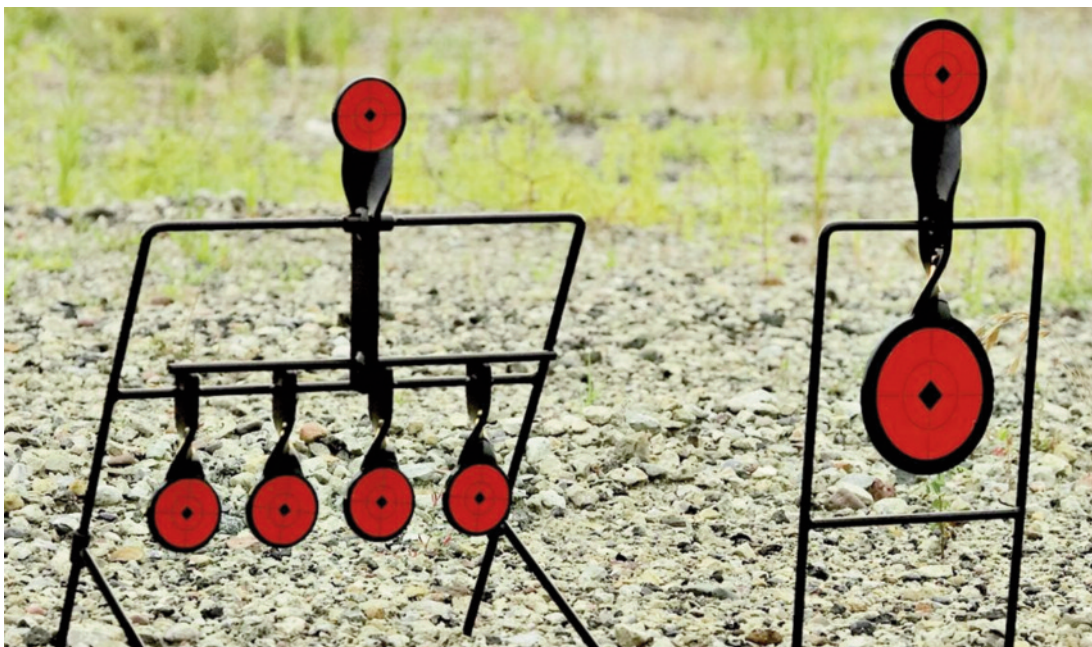
**ALWAYS KEEP THE HAMMER IN THE UNCOCKED POSITION UNTIL YOU ARE READY TO FIRE.** This will minimize the risk of an accidental discharge.

**ALWAYS WEAR EYE AND EAR PROTECTION SPECIFIED FOR USE WITH FIREARMS.** Flying particles could damage eyes and cause blindness. Without ear protection, the noise of even one shot from your rifle and from other guns close to you could leave a "ringing" in the ears for some time after firing and the cumulative long term effect could be permanent hearing loss. Make sure others in the vicinity of where you are shooting are doing so as well.

**ALWAYS KEEP CLEAR AND KEEP OTHERS CLEAR OF THE EJECTION PORT.** Spent shells are ejected with enough force to cause injury. The ejection port must also be unobstructed by your hand to insure safe ejection of spent rounds. Never place fingers in ejection port - they could be burned by hot metal or injured by the bolt moving forward.

**NEVER PUT YOUR FINGER INSIDE THE TRIGGER GUARD UNTIL YOU ARE AIMING AT A TARGET AND READY TO SHOOT.** This will prevent you from firing the firearm when it is pointing in an unsafe direction.

**NEVER JOKE AROUND OR ENGAGE IN "HORSEPLAY" WHILE HANDLING YOUR FIREARM.** Doing so could cause an accidental discharge.



## THUMB SAFETY



This firearm is designated with an easy to operate manual thumb safety to teach safe gun handling practices.

To activate or turn the safety on, move the safety switch ON by moving the safety rearward, covering the red dot.

To turn the safety off, push the safety forward into the OFF position, exposing the red dot. If you do not have a full understanding of how the safety system works, please call us immediately at 201-858-4400 and ask for technical assistance.

## MAINTENANCE BEFORE USE

Before using your firearm for the first time, it should be cleaned. (See the cleaning instructions.) Your firearm was treated at the factory with either a preservative or oil to protect it against corrosion during shipping and storage. Preservative and oil should be wiped from the bore, chamber and exposed areas using a clean swab or patch before using the firearm.

Purchase cleaning supplies that are specifically designated for your type and caliber of firearm. Many suppliers offer these in kit form for your convenience. Follow the instructions provided. Whenever your firearm has been exposed to sand, dust, extreme humidity, water or other adverse conditions, it should be cleaned and lubricated.

## HOW TO LOAD YOUR HENRY MINI BOLT

### OPEN THE ACTION

In order to open the action, you must pull the safety rearward into the ON position, covering the red dot. Next, lift the bolt handle upwards until it cannot go any further (it will be aligned with the slot in the receiver) and pull the bolt rearward until it stops.

### LOAD THE RIFLE

With the safety ON, open the bolt as described above. Place a cartridge into the chamber, ensuring cartridge is fully seated into the breech of the barrel. Next, slide bolt forward until you hear the click of the extractor engaging the rim of the cartridge case. Now lower the bolt handle until it stops in the downward position. The bolt is now closed. Even though the bolt is closed, the gun will not fire because you have not yet cocked the cocking knob.

**THE CAPACITY IS 1 ROUND.**



---

## HOW TO DISCHARGE YOUR HENRY MINI BOLT

With the safety in the ON position, point the rifle in a safe direction. Grasp the cocking knob very firmly and pull the cocking knob fully rearward until the sear locks into the firing pin. You will feel and hear this engagement. The cocking knob is now fully rearward and locked into position.

**WARNING - THE RIFLE IS NOW READY TO FIRE.**

## FIRING YOUR HENRY MINI BOLT

If you intend to fire the rifle, point the barrel in a safe direction. Move the safety to the "OFF" position by pushing the safety forward to the fire position, exposing the red dot. Now you are ready to fire the rifle by depressing the trigger. Only when you intend to fire the rifle should you cock the rifle and only when you intend fire the rifle should the safety be in the "OFF" position.

It is suggested that you do NOT dry fire this rifle. Repeated dry firing of a rimfire can eventuallypeen the edge of the chamber, making it difficult to load and extract cartridges.

## HOW TO DE-COCK OR UNLOAD

### YOUR HENRY MINI BOLT

This practice should be used when either de-cocking or unloading a spent/live round. You must use EXTREME CAUTION when removing a live cartridge from the chamber. If you intend to remove a live cartridge from the chamber, first point the gun in a safe direction. Then, put the Safety in the "OFF" position, exposing the red dot.

To de-cock your rifle, grasp the cocking knob very firmly with one hand, and pull it back further. There will be some resistance. During this process your hand should remain firmly on the cocking knob, holding it back at all times. As you are holding the cocking knob back, at the same time, use your other hand and depress the trigger. Depressing the trigger will disengage the cocking knob/firing pin.

Move the cocking knob forward slightly and then take your finger off the trigger. Keep your hand firmly on the cocking knob and proceed very slowly to bring the cocking knob forward into a resting position. You can now remove your hand from the cocking knob.

To unload your rifle, rotate the bolt handle upward and pull the bolt rearward to open the action. You will now be able to remove the live cartridge from the action.

## SCOPE MOUNT

(NOT INCLUDED)



Instructions on installation of the scope mounts (not included) is provided in the packaging. All Henry Scope Mounts accept Weaver style detachable 1" top mount rings (rings not included).

---

## SIGHTS AND SIGHT ADJUSTMENTS

Your H005 Mini Bolt is equipped with high visibility Williams Fire Sights using a three-dot sight pattern with a fixed red fiber-optic on the front blade and two green fiber-optic dots on the fully adjustable rear sight.



### HIGH OR LOW (ELEVATION ADJUSTMENT)

Your rifle can be adjusted to shoot higher, by turning the set screw on the REAR SIGHT counter clockwise. In order to shoot lower, turn the set screw (clockwise).

### LEFT OR RIGHT (WINDAGE ADJUSTMENT)

To adjust for your windage (left/right), loosen the set screw nearest the front of the rear sight. In order to move the point of impact to the left, move the rear sight to the left and vice-versa. Make sure to re-tighten the set screw when your adjustments are completed.

## MALFUNCTION AND TROUBLESHOOTING

**NEVER USE YOUR FIREARM IF IT FAILS TO FUNCTION PROPERLY, AND NEVER FORCE A JAMMED ACTION.** Forcing the action could make the round explode, causing serious injury, possible death, or severe damage to your firearm or other property.

**FAILURE TO FIRE.** A misfire occurs when the firing pin strikes the primer and it does not fire. **IF THE FIREARM FAILS TO FIRE DO NOT PUT IT DOWN OR OPEN THE ACTION. ALWAYS HOLD THE FIREARM, KEEPING IT POINTED IN A SAFE DIRECTION AND WAIT 30 SECONDS. IF A HANGFIRE (SLOW IGNITION) HAS OCCURRED, THE ROUND SHOULD FIRE WITHIN 30 SECONDS.**

If the round does not fire, remove the ammunition, eject the round and examine the cartridge. If the firing pin indent on the primer is light or non-existent, have the firearm examined by a competent gunsmith before firing again. If the firing pin indent on the rim appears normal (in comparison with similar previously fired rounds) assume you have faulty ammunition. Segregate the misfired round from other live ammunition and empty cases, reload, and carry on firing.

**FAILURE TO EXTRACT (FTE).** This is when the firearm discharges the round and fails to extract the spent round from the chamber. This could happen because of a bad extractor or bad/damaged casings.

**FAILURE TO FEED (FTF).** This is simply when the firearm fails to feed the round into the chamber. Open the bolt and clear the ejection port.

**NOTE:** The ejection port should face the ground; this will allow the round to easily fall out (gravity is your friend here).

---

## CLEANING, STORAGE AND MAINTENANCE

### CLEANING SAFETY PRECAUTIONS

**WARNING:** BEFORE PERFORMING CLEANING PROCEDURES, OPEN THE ACTION AND MAKE CERTAIN YOUR FIREARM IS COMPLETELY UNLOADED. KEEP THE MUZZLE POINTED IN A SAFE DIRECTION. FAILURE TO FOLLOW THESE WARNINGS COULD RESULT IN SERIOUS INJURY OR DEATH.

KEEP ALL AMMUNITION AWAY FROM THE CLEANING AREA. NEVER TEST THE MECHANICAL FUNCTION OF YOUR RIFLE WITH LIVE AMMUNITION. FAILURE TO FOLLOW THESE WARNINGS COULD RESULT IN SERIOUS INJURY OR DEATH.

**NOTICE!** It is very important that the chamber and bore of your rifle be cleaned thoroughly and promptly after shooting. Do not leave a discharged (empty) cartridge in the chamber for any length of time, as the chemical composition of many cartridges contain moisture which can “sweat” out of the shell and onto the chamber surfaces, possibly causing corrosion and rust.

### HOW TO CLEAN YOUR HENRY RIFLE

You should always clean your rifle after firing. If you do not fire many rounds, you can simply use a .22 caliber rifle cleaning kit. Regular cleaning is important in order for your gun to operate efficiently and safely. Taking proper care of it will also maintain its value and extend its life.

Before cleaning your rifle, verify it is unloaded. Always point the barrel in a safe direction and treat every firearm as if it is loaded.

**NOTICE! DO NOT ATTEMPT TO TAKE YOUR FIREARM APART FURTHER THAN EXPLAINED IN THIS MANUAL.**

Your firearm is a specialized, finely fitted mechanism. You may permanently damage it by attempting to disassemble the inner mechanisms. If further disassembly for service or cleaning is required, take your firearm to a qualified gunsmith.



---

To clean remove the bolt from the rifle, place the SAFETY in the "OFF" position, exposing the red dot. Rotate the bolt handle upward and pull rearward on the bolt until it is back as far as it can go. Pull the trigger fully rearward and then pull the bolt rearward. The bolt will be able to slide out of the receiver. Clean the bolt thoroughly with gun cleaning solvent.

**ALWAYS CLEAN FROM THE NATURAL DIRECTION OF THE BULLET.** When you fire your gun, powder residue and dirt will accumulate in the barrel. If you run a brush or patch from the muzzle end you will push this dirt, residue, and moisture into the chamber and receiver. This is a major cause of stuck cases or problems. If you push or pull a brush back toward the chamber, you will notice the brush will throw the debris from the bore back into the chamber. You do not have to disassemble this firearm in order to clean it sufficiently and to keep it operating properly.

**USE A CLEAN PATCH SURFACE EACH TIME YOU GO DOWN THE BARREL.** When you are using your firearm you will get abrasive dirt in the bore. A patch with an approved firearm cleaning solvent can be used to remove deposits from chamber and bore. Reusing a soiled patch or cleaning from muzzle to breech will deposit dirt and powder residue into the action.

**NEVER GO BACK AND FORTH REVERSING THE BRUSH.** This will bend the bristles on the brush. This is the equivalent of bending a wire back and forth until it breaks. You will always ruin a brush if you reverse it while in the bore.

**USE ONLY A FEW DROPS OF SOLVENT/LUBRICANT OIL.** Use only the amount of solvent that the patch will absorb. If you use too much, the solvent or oil will drip down into the trigger mechanism.

**CENTER THE TOP AND ROD. BE CAREFUL NOT TO LET EITHER RUB THE BORE.** All firearms record their history. This is the reason most people look down the barrel of a firearm. An experienced eye can tell the method of cleaning, the number of shots, and the gun maintenance applied to the firearm. Many marks are caused by people who carelessly let the tip or rod rub the inside the barrel.

**NEVER RUN A BRUSH IN THE BARREL FIRST.** This will damage the firearm. The brush will pick up dirt, moisture or powder residue and deposit it into the chamber or receiver. Never dip a brush in solvent. The solvent at the brush core will collect dirt and drop it into the receiver and chamber. Remember - Rust is neglect. Make sure all exposed metal surfaces are coated with a film of oil. After being subjected to damp weather, thoroughly wipe the bore and metal surfaces. Then apply a new film of oil. If exposed to a soaking rain, snow or salt spray, a more thorough cleaning and oiling may be necessary. Wipe the bolt clean of any debris with solvent and a patch or small rag. Spray the bolt with some gun oil.

To reinstall the bolt back into the rifle, place the SAFETY in the "OFF" position. Pull the trigger and hold this position. Place the bolt in the receiver, aligning the bolt handle with the slot in the receiver. Push the bolt forward into the receiver until it is flush against the barrel. Rotate the bolt handle downward to lock into position.

---

## MAINTENANCE BEFORE STORAGE

When storing your firearm, do not encase it in anything that will attract or hold moisture, for example, leather or heavy cloth. Also, do not store firearms with a plug inserted in the barrel because this can be a contributing factor to moisture accumulation.

If your firearm is to be stored for an extended period, the bore, chamber and internal surfaces should be oiled with a high-quality lubricating oil or preservative intended for firearms. The external parts; receiver, bolt and barrel should be coated with an anti-rust oil.

Before using your firearm again, be sure to clean it. Every time you clean your firearm, check it for signs of wear. If wear is noted, do not use the firearm, have it checked by a qualified gunsmith.

Make sure your firearm is in good mechanical condition before firing it. Periodically have your firearm checked for signs of erosion, cracking, or wear by the factory or a factory certified gunsmith.

## STORAGE SAFETY AND PRECAUTIONS

**NEVER LOCK A LOADED FIREARM AND NEVER LOAD A LOCKED FIREARM!**

**ALWAYS CHECK TO MAKE SURE YOUR FIREARM IS NOT LOADED BEFORE CLEANING, STORING, TRANSPORTING IT, LAYING IT DOWN, OR HANDING IT TO ANOTHER PERSON** so that it cannot be fired when it is unsafe to do so.

**ALWAYS KEEP AND STORE YOUR FIREARM AND AMMUNITION IN SEPARATE, LOCKED LOCATIONS, OUT OF REACH AND SIGHT OF CHILDREN AND UNTRAINED PERSONS.** Safe and secure storage of your firearm and ammunition are your responsibility.

**NEVER LEAVE THE KEY TO THE LOCK FOR YOUR FIREARM WITH THE STORED FIREARM!**

**NEVER ASSUME THAT A "HIDING" PLACE IS A SECURE STORAGE METHOD.** Others may be aware of your storage location or come upon it by chance. It is your personal responsibility to use common sense when storing your firearm and ammunition and to always make sure they are not accessible to children or other unauthorized persons.

**NOTE:** Do not store your firearm in an air-tight container, and do not seal or attempt to seal the barrel to exclude dust, as the internal steel surface is more likely to rust or corrode by doing this.

**BEWARE OF BARREL OBSTRUCTIONS.** Be sure the barrel is clear of obstructions before shooting. Mud, water, snow or other objects may inadvertently lodge in the barrel bore. A small obstruction can cause a dangerous increase in pressure and may damage your firearm and cause injury to yourself and others.

**BEFORE CHECKING FOR A BARREL OBSTRUCTION, BE CERTAIN YOUR FIREARM IS COMPLETELY UNLOADED.** After assuring yourself that the firearm is completely unloaded, open the action and look through the barrel to be sure it is clear of obstructions. If an obstruction is seen, no matter how small it may be, clean the bore with a cleaning rod and patch as described in the **CLEANING** section of this owner's manual.

---

BE SURE ALL ACCESSORIES, SUCH AS SLINGS, SCOPES AND OTHER ACCESSORIES ARE COMPATIBLE WITH YOUR PARTICULAR FIREARM AND THAT THE ACCESSORIES DO NOT INTERFERE WITH ITS SAFE OPERATION.

It is your responsibility to understand and follow all of the instructions in the safety manual that accompanied your firearm, as well as those which may be supplied with your ammunition and any accessory.

NEVER DISASSEMBLE YOUR FIREARM BEYOND THE FIELD STRIPPING PROCEDURE OUTLINED IN THIS MANUAL. Improper disassembly or reassembly of your firearm may be dangerous and can lead to serious injury or death.

NEVER MANIPULATE, ADJUST OR CHANGE ANY OF THE INTERNAL COMPONENTS OF YOUR FIREARM UNLESS SPECIFICALLY INSTRUCTED TO DO SO IN THIS MANUAL. Improper manipulation of any other internal component may affect the safety and reliability of your firearm and may cause serious injury or death.

NEVER ALLOW ANY ALTERATION OR REPLACEMENT OF PARTS IN YOUR FIREARM UNLESS PERFORMED BY A QUALIFIED GUNSMITH USING AUTHORIZED PARTS. If you do otherwise, improper functioning of your firearm may occur and serious injury or death and damage to property may result.

## PARTS

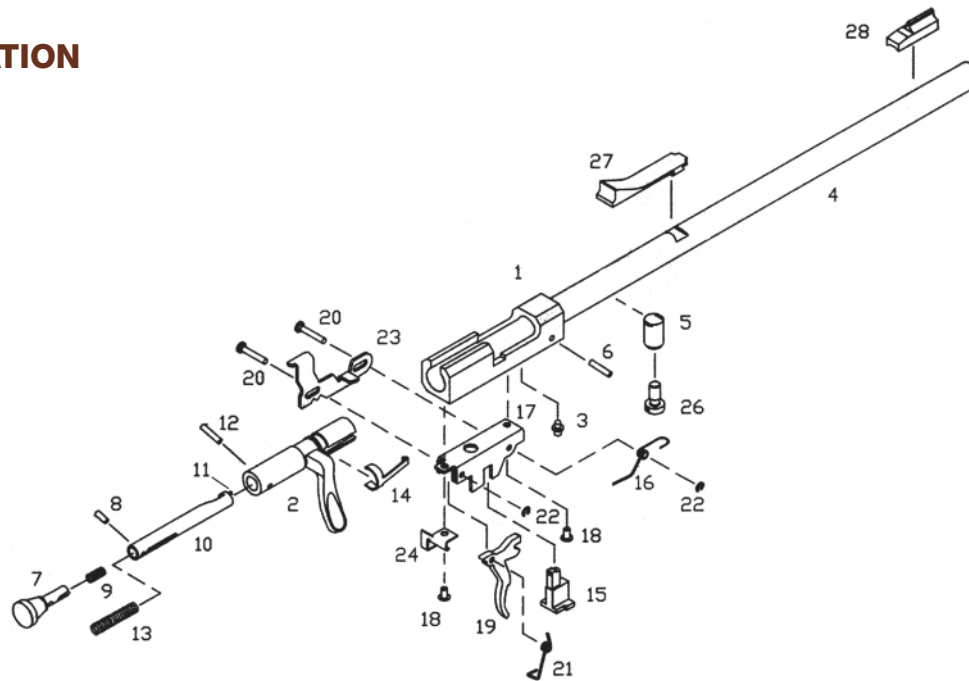
An illustration and list of part names are included in this manual. Please note that not all parts are available for sale. Those parts which are available should be installed by a licensed gunsmith. When ordering parts, please give part name and part number.

**Important:** If you make unauthorized adjustments or use unauthorized parts, Henry Repeating Arms Company will not assume responsibility for the proper functioning of the firearm.

THIS GUN IS MANUFACTURED TO PERFORM PROPERLY WITH THE ORIGINAL PARTS AS DESIGNED. IT IS YOUR DUTY TO MAKE SURE ANY PARTS YOU BUY ARE INSTALLED CORRECTLY AND THAT NEITHER REPLACEMENTS NOR ORIGINALS ARE ALTERED OR CHANGED. THIS IS WHY WE SAY TAKE IT TO A LICENSED GUNSMITH STATION. YOUR GUN IS A COMPLEX TOOL WITH MANY PARTS THAT MUST RELATE CORRECTLY TO OTHER PARTS. PUTTING A GUN TOGETHER WRONG OR WITH MODIFIED PARTS CAN RESULT IN A DAMAGED GUN, DANGER, AND INJURY OR DEATH TO YOU AND OTHERS THROUGH MALFUNCTION. ALWAYS LET A QUALIFIED GUNSMITH WORK ON YOUR GUN AND CHECK ANY WORK YOU THINK WAS NOT PERFORMED BY A GUNSMITH.



## ILLUSTRATION OF PARTS



## LIST OF PARTS

**H5-1** Receiver

**H5-2** Bolt

**H5-3** Bolt Detent

**H5-4** Barrel

**H5-5** Barrel Lug

**H5-6** Barrel Retaining Pin

**H5-7** Cocking Knob

**H5-8** Cocking Knob Retaining Pin

**H5-9** Cocking Knob Spring

**H5-10** Firing Pin Housing

**H5-11** Firing Pin

**H5-12** Firing Pin Retaining Pin

**H5-13** Firing Pin Spring

**H5-14** Extractor

**H5-15** Sear

**H5-16** Sear Spring

**H5-17** Trigger Mechanism Housing

**H5-18** Trigger Mechanism Housing Screw

**H5-19** Trigger

**H5-20** Trigger Pin

**H5-21** Trigger Spring

**H5-22** Trigger Pin Retaining Ring

**H5-23** Safety

**H5-24** Safety Detent Spring

**H5-25** Stock (not shown)

**H5-26** Stock Screw

**H5-27** Rear Sight

**H5-28** Front Sight

---

## SERVICING AND REPAIR

If you believe that your Henry firearm requires repair or adjustment, we suggest that you first contact our Customer Service by visiting the "Contact Us" page on our website, or by phone at 201.858.4400. It may be a problem that we can resolve by phone or by sending a replacement part. For international customers please visit the "Contact Us" page on our website for instructions.

In the unlikely event that your firearm requires adjustments or repair, please make certain that it is unloaded and send it to us at the following address:

HRAC

**Att: Repair Dept.**

59 East 1st Street  
Bayonne, NJ 07002

Enclose an explanation of the problem in as much detail as possible.

Make certain to include your complete name, address, phone number and serial number. Make sure your firearm is packaged to prevent it from being damaged. The package should be insured to protect against LOSS OR THEFT.

**DO NOT INCLUDE "HENRY REPEATING ARMS" IN THE ADDRESS ON THE PACKAGE, IN ORDER TO PREVENT AN INQUISITIVE THIEF FROM BEING ATTRACTED TO IT BY SUCH INFORMATION.**

**YOU CAN USE THE ORIGINAL BOX FOR RETURN, HOWEVER, YOU SHOULD MAKE SURE IT IS WRAPPED IN A BROWN OR OTHER COLORED PAPER AS TO NOT INDICATE THAT THE BOX CONTAINS A FIREARM. THIS HELPS TO MAINTAIN THE CONFIDENTIALITY OF YOUR RIFLE TO ENSURE IT GETS BACK TO US SAFELY.**

## NEW PRODUCTS FROM HENRY

Henry Repeating Arms Company will endeavor to introduce and manufacture other fine firearms, all made in America, of high quality and at affordable prices.

Telephone: **201-858-4400** • Fax: **201-858-4435** • Website: **[www.henryusa.com](http://www.henryusa.com)**



---

## SOCIALIZE WITH HENRY AND HENRY OWNERS

Keep up to date with new inventions and products from Henry as well as meet other Henry owners around the country by joining the conversation and liking our social media accounts:



[www.facebook.com/henryrepeating](http://www.facebook.com/henryrepeating)



@Henry\_Rifles



@HenryRifles



[www.youtube.com/c/HenryriflesUSA](http://www.youtube.com/c/HenryriflesUSA)

Be the first to know about new products and events by subscribing to our e-mail list: [www.henryusa.com/maillinglist](http://www.henryusa.com/maillinglist)

## HENRY CUSTOMER PHOTOS

You may already be famous, but if not, we invite you to send a photo with your Henry for a possible website appearance to: [info@henryusa.com](mailto:info@henryusa.com)

## HENRY ACCESSORIES

Made in America, just like our rifles! Find apparel, slings, scope mounts, gun cases, display cases and more at [www.henrypride.com](http://www.henrypride.com)

# History and Thank You



**Benjamin Tyler Henry.**  
His invention: The Henry Rifle.

Thank you for purchasing your new Henry Firearm. We are proud to have crafted this firearm for you in the great tradition of the Henry Repeating Rifle which dates back to 1860 when the first effective, lever-action repeating rifle was developed by Benjamin Tyler Henry. The lever action is America's unique contribution to international firearms design; We go to great lengths to provide the highest quality of design and craftsmanship for each and every one of our American-Made firearms. You are now a part of the Henry family, and we are thankful to have your support. Your new firearm should provide you and your family with many years of safe enjoyment and pride of ownership.

It is imperative that these cautions and operating instructions be thoroughly studied and understood before using your new firearm, in order to ensure proper and safe gun handling. Failure to follow these cautions, warnings and operating instructions could result in damage to your gun or to other property or could result in injury or death to yourself or to others.