



# ALPHYN AH10

## Wireless Gaming Headset



# User Manual



## Package Contents

- ① AH10 Wireless Headset
- ② Type-C Transmitter
- ③ Type-C to Type-C Adaptor
- ④ Type-A to Type-C Adaptor
- ⑤ Type-C to Type-A Charging Cable
- ⑥ 3.5 mm Audio Cable
- ⑦ Microphone Foam Cover
- ⑧ Carry Pouch

## Specifications

### Headphone

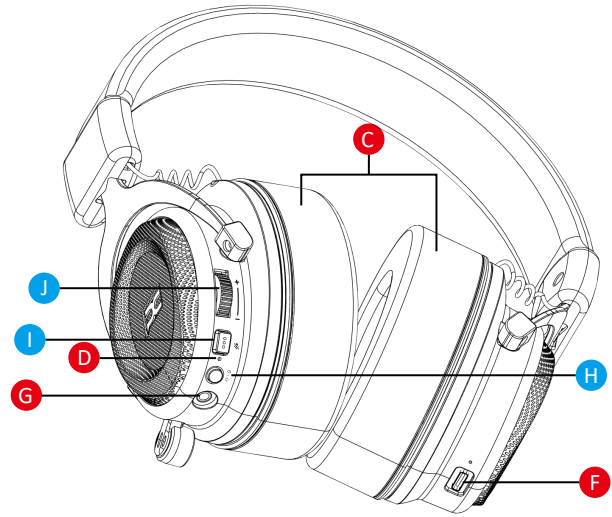
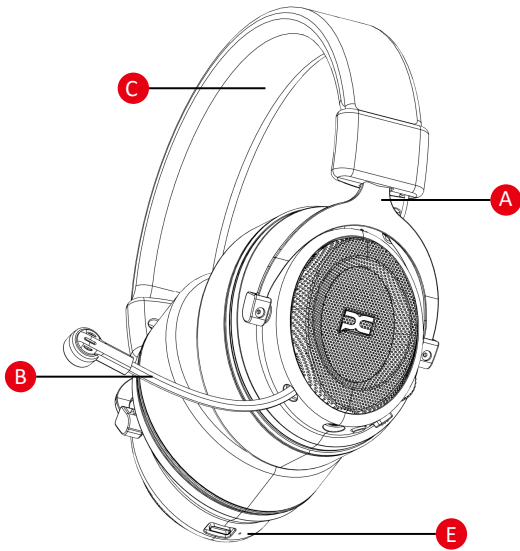
Model No : ALPHYN AH10  
 Driver Diameter : 50 mm  
 Inner Ear Cup Diameter : 47 mm  
 Connection Type : Type-C Wireless (2.4GHz), 3.5 mm  
 Cable Length : 1.2 mm  
 Sensitivity : 98 ± 3 dB  
 Impedance : 32 Ω ± 15 %  
 Frequency Response : 20 Hz - 20 kHz  
 Approximate Weight : 326 g  
 Rechargeable Battery : 1500 mAh / 3.7 V  
 Charging Time : ≤ 2.5 hours  
 Battery life : Up to 30 hours

### Retractable Microphone

Frequency Response : 100 Hz – 10 kHz  
 Impedance : 2.2 KΩ  
 Sensitivity : -44 dB  
 Pickup Pattern : Bi-Directional

### Requirements

Windows 10 or higher  
 3.5 mm audio devices  
 USB 2.0 Port : Type-A, Type-C



## Product Overview

- A** Adjustable headband
- B** Retractable Microphone
- C** Protein Leather Ear Pads with Memory Foam
- D** Status Indicator
- E** Charging Indicator
- F** Type-C Charging Port
- G** 3.5 mm audio port

## Controls

- H** Power On/Off, Audio Profiles Switcher, Pause and Play Button
- I** Microphone Mute Switch, ENC On/Off
- J** Volume Control Knob

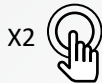


### Power Button/Audio Profiles Switcher/Pause and Play Button



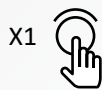
#### Press for 2 seconds:

Blue LED blinking or "Power on" voice prompt means power on; Red LED blinking or "Power off" means power off.



#### Double Click:

Cycle through Gaming mode, Music mode, and Theater mode to switch sound effects.

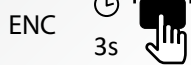


#### Click:

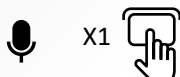
Press once to pause and again to resume.



### Microphone Mute Switch/ENC On/Off



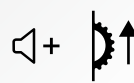
Press for 3 seconds: ENC on / off



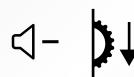
Click: Microphone on / off



### Volume Control Knob



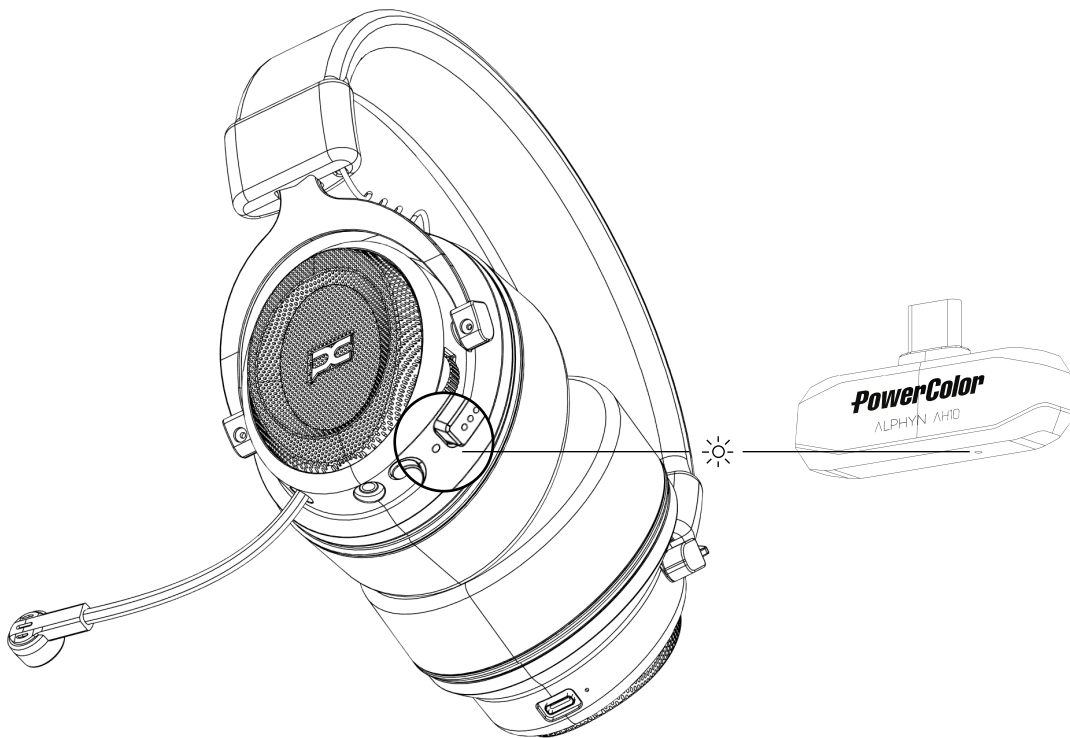
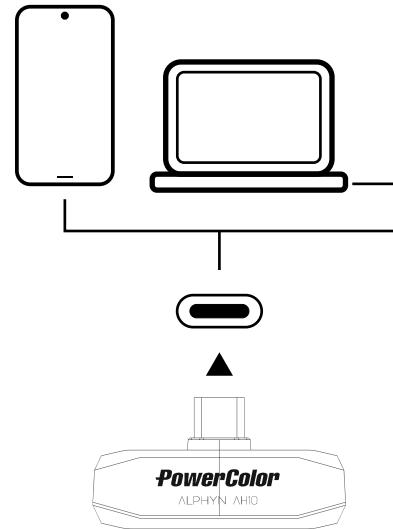
Scroll upward: Volume +



Scroll downward: Volume -

## 2.4 GHz Transmitter Connection

1. Insert the 2.4 GHz transmitter into the TYPE-C ports of your computer, phone, and other devices. The adapter will automatically start up and the blue LED flashes to enter the pairing state.
2. Turn on the headset, and the headset and adapter will be automatically connected successfully.
3. After successful connection, the indicator light will flash blue every three seconds.

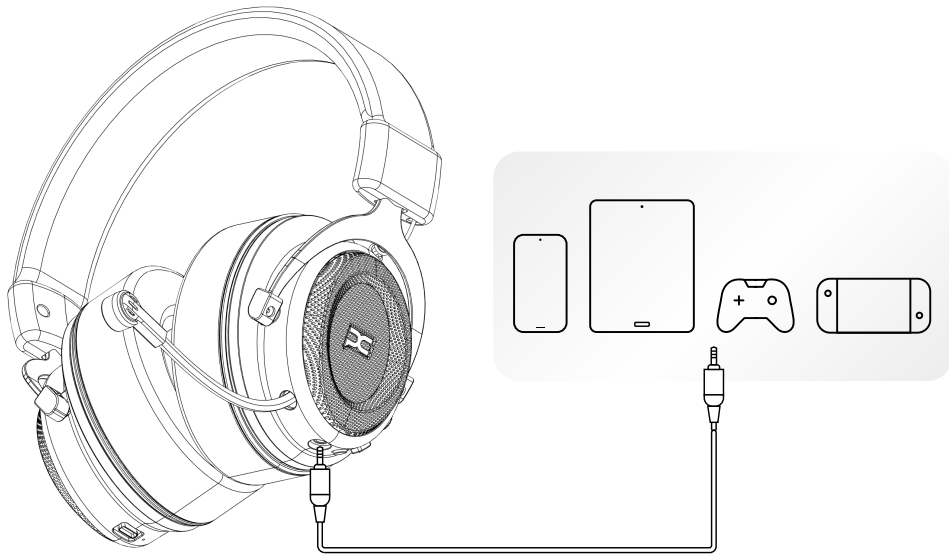


### Note :

1. If pairing or connection with the headphones is not successful within 1 minute, the transmitter will enter standby mode until reconnected successfully or powered off. In standby mode, the blue status indicator light will flash once per second.
2. If it's unable to complete automatic pairing, you can enter the re-pairing mode by pressing and holding the power button for about 4 seconds while the device is powered off.

### 3.5mm Wired Connection

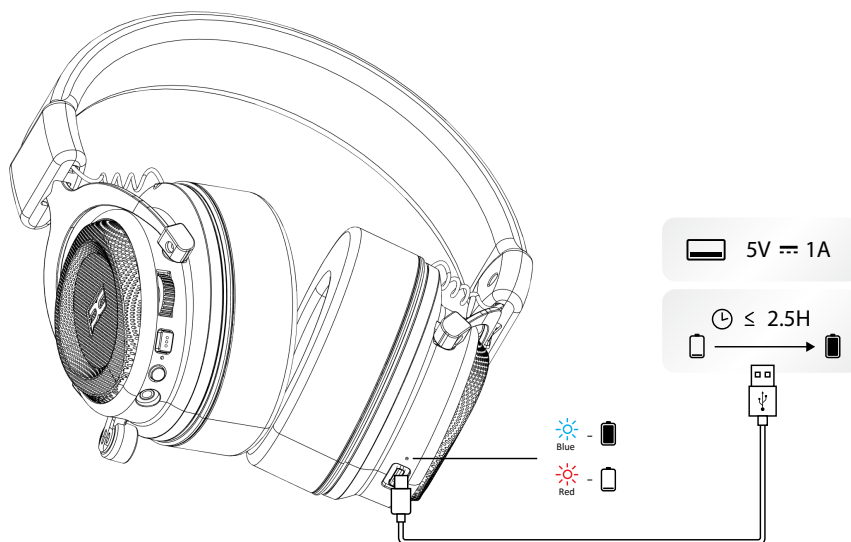
Insert the 3.5 mm audio cable into the headphone's audio jack, and connect the other end to your computer, phone, and other devices.



Note :

In 3.5 mm mode, the headphones will enter a forced power-off state, rendering the microphone mute function inactive. However, you can still adjust the volume using the Volume Control Knob, and charging is possible while in 3.5 mm mode.

### Headset Charging Mode



1. When the headphone battery drops below 3.3V, it will voice prompt "Low Battery" every 3 minutes, with the red light blinking every second. When the battery level falls below 3.2V, it will automatically power off.
2. Insert the USB Type-C charging cable to charge the headset. It will reset, automatically turn off, and enter charging mode. The red light indicates charging and turns off when fully charged.

Note :

In charging mode, the headphones will forcibly power off but can still be used in 3.5 mm mode.

## **Warranty**

1-Year Limited Manufacturer Warranty

Warranty does not cover damages resulting from improper use.

## **Safety and Maintenance**

Do not take apart the device or operate it under abnormal currents load, any damage caused when doing so will void your warranty. Keep the device away from liquid, humidity or moisture.

Cleaning the device and connecting port regularly helps to keep it in optimum condition. Use a soft cloth and do not use soap then cleaning the device.

## **Copyright and Legal Information**

PowerColor is a registered trademark and/or trademark of Tul Corporation. All other registered trademarks and trademarks are property of their respectively owners.

## **Importer Information**

Company Name : TUL B.V.

Address : Antennestraat 31, 1322AH Almere, The Netherlands

Telephone : +31(0)36 785 3119

Email : [bv\\_logistic@tul.com.tw](mailto:bv_logistic@tul.com.tw)

## **Manufacturer Information**

Company Name : TUL Corporation

Address : 7F.-7, No.79, Sec. 1, Xintai 5th Rd., Xizhi Dist., New Taipei City 221, Taiwan

Telephone : +886-2-8698-3000

[www.powercolor.com](http://www.powercolor.com)

## Regulatory and Compliance Information

### FCC Compliance Statements

This device complies with part 15 of the FCC Rules. Operation is subject to the following two conditions: (1) This device may not cause harmful interference, and (2) This device must accept any interference received, including interference that may cause undesired operation.

Any changes or modifications not expressly approved by the party responsible for compliance could void the user's authority to operate the equipment.

This equipment has been tested and found to comply with the limits for a Class B digital device, pursuant to Part 15 of the FCC Rules. These limits are designed to provide reasonable protection against harmful interference in a residential installation. This equipment generates, uses and can radiate radio frequency energy and, if not installed and used in accordance with the instructions, may cause harmful interference to radio communications. However, there is no guarantee that interference will not occur in a particular installation.

If this equipment does cause harmful interference to radio or television reception, which can be determined by turning the equipment off and on, the user is encouraged to try to correct the interference by one or more of the following measures:

- Reorient or relocate the receiving antenna.
- Increase the separation between the equipment and receiver.
- Connect the equipment into an outlet on a circuit different

from that to which the receiver is connected.

- Consult the dealer or an experienced radio/TV technician for help.

The device has been evaluated to meet general RF exposure statement.

The device can be used in portable exposure condition without restriction.

