



ANAFI™

ANYTIME. ANYWHERE

The flying 4K HDR camera that you can take with you everywhere on the go.

Parrot®

EVERYDAY LIFE.ELEVATED



BREATHTAKING IMAGING SYSTEM

4K Cinema & 21MP sensor / 4K HDR 100 Mbps videos.
Unique 180° tilt gimbal with 3-axis hybrid image stabilization / Up to 2.8X lossless digital zoom.
RAW & P-LOG post-production formats.



4K HDR
21 MP



180° TILT
GIMBAL



3-AXIS
IMAGE STABILIZATION



2.8X LOSSLESS
ZOOM

ULTRA-PORTABLE DESIGN

Ultra-compact / Robust carbon design / Fast & easy to unfold (less than 3s).
USB-C on-the-go charging system (Compatible with Powerbanks).
Easy to pilot with a smartphone / Camera resistant to extreme temperatures (-10°C to +40°C).



FAST & EASY
TO UNFOLD



ULTRA
COMPACT



FOLDABLE
CONTROLLER



USB-C ON-THE-GO
CHARGING SYSTEM



SMART & POWERFUL

25 minutes of flight time (Smart battery) / Super quiet flights.
Omnidirectional transmission system (4km range).
50km/h wind resistance / 55km/h top speed in Sport mode.



25 MIN
FLIGHT TIME



SUPER QUIET
FLIGHTS



4KM
RANGE



50 KM/H
WIND RESISTANCE



EASY TO USE

New FreeFlight 6 application for an intuitive and ergonomic experience.
Advanced visual tracking powered by A.I. / SmartDronies for easy aerial selfies.
CineShots for automatic landscape videos / Slow-motion & Hyperlapse modes.



FREEFLIGHT 6
INTUITIVE APP



SMARTDRONIES
FOR AERIAL SELFIES



CINESHOTS FOR
LANDSCAPE VIDEOS



SLOW-MOTION &
HYPERLAPSE

TECHNICAL SPECIFICATIONS

DRONE

- Size folded: 244x67x65mm
- Size unfolded: 175x240x65mm
- Weight: 320g
- Max transmission range: 4km with controller
- Max flight time: 25min
- Max horizontal speed: 15m/s
- Max vertical speed: 4m/s
- Max wind resistance: 50km/h
- Service ceiling: 4500m above sea level
- Operating temperature range: -10°C to 40°C
- Satellite Positioning Systems: GPS & GLONASS

SMART BATTERY

- Type: High density Lipo (2 cells)
- Battery capacity: 2700mAh
- Battery life: 25min
- Charging port: USB-C
- Weight: 126g
- Voltage: 7.6V
- Max charging power: 24W

CONTROLLER

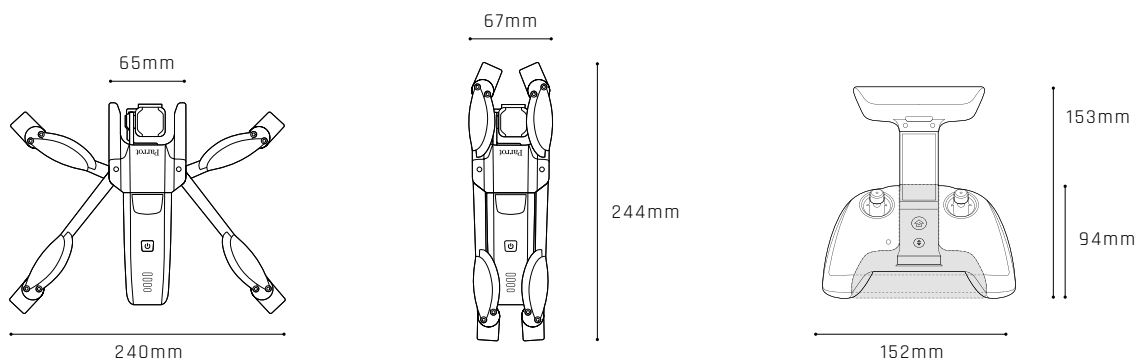
- Size folded: 94x152x72mm
- Size unfolded: 153x152x116mm
- Weight: 386g
- Transmission system: Wi-Fi 802.11a/b/g/n
- Operating frequencies: 2.4 GHz - 5.8 GHz
- Max transmission range: 4Km
- Live streaming resolution: HD 720p
- Battery capacity: 2500mAh 3,6V
- Battery life: 2h30 (Android) / 5h30 (iOS)
- Supported mobile devices: screen size up to 6"
- USB ports: USB-C (Charge), USB-A (Connection)

IMAGING SYSTEM

- Sensor: 1/2.4" CMOS
- Lens:
 - ASPH (Sharper images)
 - Aperture: f/2.4
 - Focal length (35mm format equivalent): 23-69mm (photo), 26-78mm (video)
 - Depth of field: 1.5m - ∞
- Shutter speed: electronic shutter 1 to 1/10000s
- ISO range: 100-3200
- Video resolution:
 - 4K Cinema 4096x2160 24fps
 - 4K UHD 3840x2160 24/25/30fps
 - FHD 1920x1080 24/25/30/48/50/60fps
- Video HFOV: 69°
- Max video bitrate: 100 Mbps
- Video format: MP4 (H264)
- Digital zoom:
 - Lossless: up to 2.8x (FHD) & 1.4x (4K UHD)
 - Standard: up to 3x (4K Cinema, 4K UHD, FHD)
- Photo resolution:
 - Wide: 21MP (5344x4016) / 4:3 / 84° HFOV
 - Rectilinear: 16MP (4608x3456) / 4:3 / 75.5° HFOV
- Photo formats: JPEG, DNG (RAW)
- HDR: 4K UHD video

IMAGE STABILIZATION

- Stabilization:
 - 3-axis hybrid
 - Mechanical: 2-axis Roll/Tilt angles
 - Electronic (EIS): 3-axis Roll/Pan/Tilt angles
- Controllable tilt range: - 90° to +90° (180° total)



PACK CONTENT

ANAFI DRONE / SMART BATTERY / PARROT SKYCONTROLLER 3 / CARRYING CASE / 16GB MICROSD CARD
USB-A TO USB-C CABLE / 8 ADDITIONAL PROPELLER BLADES / MOUNTING TOOL

PARROT DRONES SAS - RCS PARIS 808 408 704
174 quai de Jemmapes 75010 Paris - FRANCE - WWW.PARROT.COM

Parrot and Parrot logo are trademarks or registered trademarks of Parrot SA, used under license therefrom.
Anafi and its logo are trademarks or registered trademarks of Parrot Drones SAS.

Parrot®

EVERYDAY LIFE.ELEVATED

Parrot[®]

ANAFI WHITE PAPER

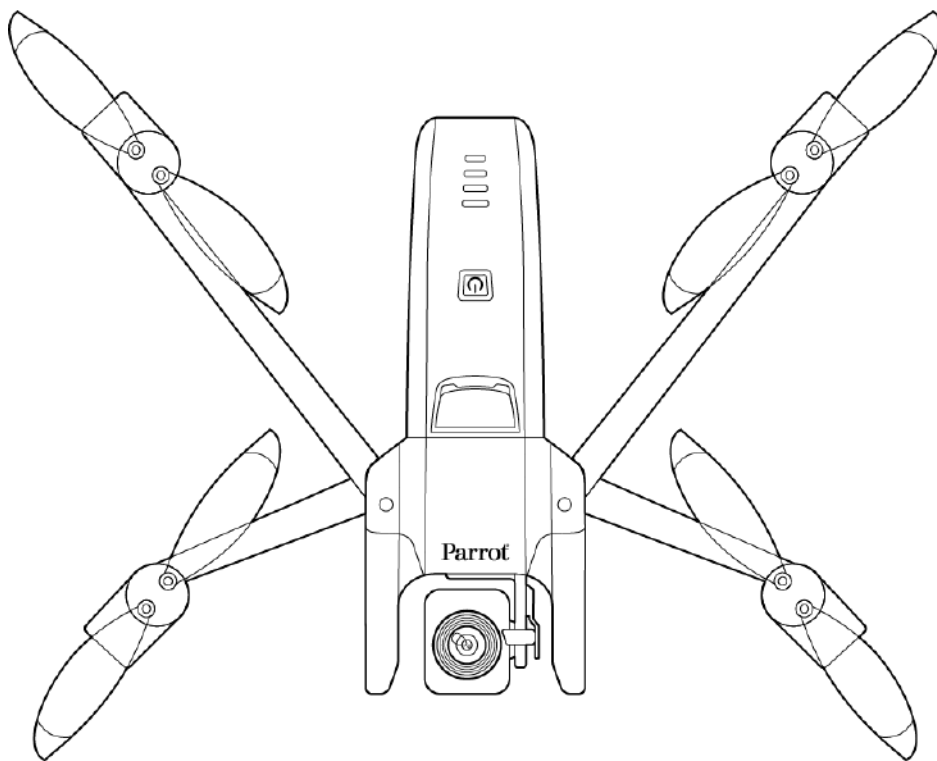


TABLE OF CONTENTS

1	AIRFRAME/AERODYNAMICS	4
1.1	AIRFRAME	4
1.1.1	Keys characteristics	4
1.1.2	Durability	4
1.2	AERODYNAMICS	4
1.2.1	Key characteristics	4
1.2.2	Performance	5
1.2.3	Quality	5
2	GIMBAL/IMAGING	6
2.1	GIMBAL	6
2.1.1	Key characteristics	6
2.1.2	Performance	6
2.1.3	Video hybrid stabilization	6
2.1.4	180° tilt	6
2.1.5	Vision without artefacts	6
2.1.6	Durability	6
2.1.7	Quality	6
2.2	IMAGING	7
2.2.1	Key characteristics	7
2.2.2	HDR	7
2.2.3	Optical unit	7
2.2.4	Optical performance	8
2.2.5	Optical unit manufacturing: Active alignment	8
2.2.6	Quality	9
3	FLIGHT CONTROLLER/FLIGHT MODES	10
3.1	KEY CHARACTERISTICS	10
3.2	FLIGHT CONTROLLER	10
3.2.1	Components	10
3.2.2	Sensor performance	10
3.2.3	Estimation algorithm	11
3.2.4	Control loop	11
3.3	FLIGHT MODES	12
3.3.1	Precise Hovering	12
3.3.2	Precise Return Home (RTH)	12
3.3.3	Smart RTH	12
3.3.4	Automated take-off	12
3.3.5	Hand take-off	12
3.3.6	Low altitude flight	13
3.3.7	Automated landing	13
3.4	FLYING MODES	13
3.4.1	Manual	13
3.4.2	Automatic	13
4	FREEFLIGHT 6	16
4.1	KEY CHARACTERISTICS	16
4.2	HUD	16
4.3	FLIGHT PLAN UI	16
4.4	MAP BACKGROUNDS	17
4.5	VISUALIZING MEDIA	17
4.6	AUTOMATED UPDATES	17
4.7	GSDK	18

5	VIDEO STREAMING	20
5.1	KEY CHARACTERISTICS	20
5.2	STREAM PERFORMANCE	20
6	BATTERY.....	21
6.1	KEY CHARACTERISTICS	21
6.2	PERFORMANCE.....	21
6.3	FEATURES	21
6.3.1	<i>Smart power management.....</i>	<i>21</i>
6.3.2	<i>Wintering.....</i>	<i>21</i>
6.3.3	<i>Storage.....</i>	<i>21</i>
6.3.4	<i>Smart charging.....</i>	<i>22</i>
6.3.5	<i>USB-C Interface.....</i>	<i>22</i>
6.3.6	<i>Powerbank.....</i>	<i>22</i>
6.3.7	<i>Charge indicator.....</i>	<i>22</i>
6.4	QUALITY.....	23

1 AIRFRAME/AERODYNAMICS

1.1 Airframe

1.1.1 Keys characteristics

- ANAFI is the most compact 4K drone on the market
- Ultralight: 320 g
- Extremely easy to carry while folded (244x67x65mm)
- ANAFI unfolds in 1 second

Airframe characteristics

<i>Unfolded (LxWxH)</i>	<i>175x240x65mm</i>
<i>Folded (LxWxH)</i>	<i>244x67x65mm</i>
<i>Weight</i>	<i>320 g</i>
<i>Ready to fly</i>	<i>28 seconds</i>
<i>Temperature Range</i>	<i>-14 °C/40 °C</i>
<i>Humidity</i>	<i>93 % HR</i>

1.1.2 Durability

The mechanical structure of ANAFI is made of carbon fiber reinforced polyamide, lightened by hollow glass beads. ANAFI has passed the following durability tests:

- Exposure to moist heat (+40 °C and 93 % humidity rate) for 16 h
- Exposure to dry heat (+50 °C) for 16 h
- Exposure to thermal shocks: 20 cycles of 1 h at -10 °C and +50 °C
- Exposure to extreme temperatures: -20 °C/+70 °C for 4 h
- Exposure to low temperatures: -10 °C for 16 h
- IP5X: protected against dust (8 h test)
- ANAFI flies in the rain
- 400 flight hours without any mechanical wear at ambient temperature

As of today, the ANAFI fleet has accumulated more than 20,000 flight hours.

1.2 Aerodynamics

1.2.1 Key characteristics

- ANAFI's powerful motors (60 W) have a 71 % yield (P_{mech}/P_{elec} efficiency) while stationary. They have been designed to get the best out of the propellers over the full flight range.
- Weight/autonomy ratio: the 25-minute flight time, light weight structure (320 g) and the high yield of its conversion chain allows ANAFI to fly fast (54 km/h) and far (14 km)
- Wind resistance: 50 km/h
- Wind gust resistance: 80 km/h
- Discreet: ANAFI is a lot quieter [65.5 dB (A) at 1 m] than any other comparable drone.

1.2.2 Performance

Aerodynamic performance

Speed	15 m/s
Max Wind Speed Resistance	50 km/h
Flight time	25 min
Max Ascent Speed	4 m/s
Max Descent Speed	4 m/s
Speed at 2500 m	13 m/s
Max service ceiling	4800 m
Max distance	14 km at 11.5 m/s
Max Angular Velocity	200°/s

1.2.3 Quality

- Parrot is ISO9001 certified.
- Every drone is controlled on a production bench (FVT).
- Bench #2: IMU thermal calibration plus barometer and magnetometer test.
- Bench #3: IMU & magnetometer dynamic calibration.
- Bench #4: motor disturbance measure on the magnetometer.
- Bench #5: ultrasound test.
- Flight test: every drone performs a flight test at the end of the production process: takeoff, hovering, landing.
- Numerous durability tests are performed in the course of our development cycles. These take the form of a quest for the optimal drone size.

ANAFI Quality Control data and tests results are available upon request.

2 GIMBAL/IMAGING

2.1 Gimbal

ANAFI's gimbal enjoys the most precise stabilization system on the light drone market.

2.1.1 Key characteristics

- Hybrid stabilization: both mechanical and electronic
- Precision: $\pm 0.004^\circ$
- Usable tilt capabilities: 180° [nadir (-90°) to zenith ($+90^\circ$)]

2.1.2 Performance

Gimbal performances	
Angular accuracy of Image stabilization:	$\pm 0.004^\circ$
Mechanical Range	-140° $+110^\circ$ tilt
Controllable Range:	-90° $+90^\circ$ tilt
Max Control Speed:	$180^\circ/s$
Protection:	Against overload Against overheating Against excessive voltage

2.1.3 Video hybrid stabilization

ANAFI's video is stabilized over 5 axes (2 mechanical axes et 3 electronic axes) allowing it to reach a precision level of 0.004° - paramount for the zoom feature. The integrated inertial unit located closest to the camera tracks its movement at 8 kHz.

GIMBAL
2 mechanical axes: roll and pitch
3 electronic axes EIS (Electronic Image Stabilization): roll, pitch and yaw

The EIS algorithm corrects the wide-angle lens distortion, the wobble effect to which the drone's vibrations give rise, and numerically stabilizes images along 3 axes (roll, pitch, yaw).

2.1.4 180° tilt

The mechanical structure of the gimbal allows an extreme vertical tilt of 180° enabling inspection and observation from directly beneath an identified surface or zone. ANAFI is the only light drone on the market with this feature.

2.1.5 Vision without artefacts

To maximize the quality of each shot, the propellers and hull are designed to never interfere with the field of view of the camera.

2.1.6 Durability

The gimbal and the camera module are mechanically protected by the fork. The gimbal is also protected against overloads (it unlocks when it is applied a torque for more than 10 seconds), surges and excessive temperature (120°C).

2.1.7 Quality

- The gimbal has been tested on a dedicated test bench for more than 100 hours straight, without any defect or visible wear.
- All gimbals are production tested on bench #4.
- The motors of the gimbal are controlled.
- Hall effect sensor control: amplitude, bias and noise.

ANAFI gimbal Quality Control data and tests results are available upon request.

2.2 Imaging

2.2.1 Key characteristics

- Camera module equipped with a SONY IMX230 1/2.4" sensor
- Video: 4K HDR (30 fps)
- Photo: 21 Mp
- Angular resolution: 0.048°
- MTF resolution: > 50 at 160 lp/mm
- Lossless zoom: x2.8 at 1080 p

Video resolution
4K Cinema 4096x2160 24 fps
4K UHD 3840x2160 24/25/30 fps
FHD 1920x1080 24/25/30/48/50/60 fps
HFOV Video: 69°
Video stream max speed: 100 Mbps
Video format: MP4 (H264)
Photo resolution
HDR: 4K UHD video
Wide: 21MP (5344x4016) / 4:3 / 84° HFOV
Rectilinear: 16MP (4608x3456) / 4:3 / HFOV 75.5°
Photo formats: JPEG, Adobe DNG (RAW)

2.2.2 HDR

The HDR algorithm restores up to 14 EV. The sensor exposes half of the pixels over a long period while the other half are exposed for a shorter period, avoiding artefacts due to movement. Both exposures are then fused to produce an image of the same definition as that native to the sensor (21MP) while optimizing contrast and reducing resolution loss in the finer details of the image.

The ISP defines exposure times depending on the scene as well as final image optimization (contrast, color, noise reduction).

2.2.3 Optical unit

We are using a low dispersion aspheric lens architecture (Diagonal FOV of 110°). The sensor is made of six lenses optimized to minimize the level of parasitic light while providing a high-resolution image across a vast temperature range (-10 °C to +50 °C). Very low dispersion glass and six aspheric lenses have been combined to warrant a minimal aberration level on the entire temperature range.

Fig.1 - ANAFI's Optical unit



2.2.4 Optical performance

ANAFI'S Optical performance	
Angular resolution	0.048°
MTF resolution	> 50 to 160 lp/mm
Lossless zoom	x2.8 at 1080p
Real focus	4.04mm +/- 5 %
Aperture	f/2.39 +/-5 %
Exposure time	1 second - 1/10000 s
ISO range	100 to 3200

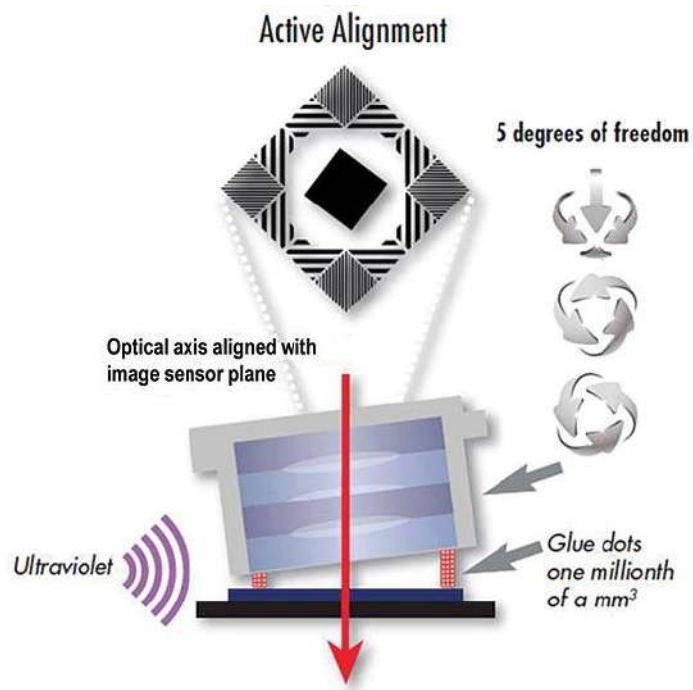
2.2.5 Optical unit manufacturing: Active alignment

The optical unit is assembled with the Sony sensor using an Active alignment technique. The optical block is positioned and held in place using a robotic arm, to achieve the following performance:

- the optical block is positioned above the sensor to ensure the desired focus at a set temperature (23 °C +/- 2 °C) and to guarantee resolution specifications in the scene;
- in yaw, roll and pitch, the optical block is position respecting the optical axis to obtain a uniform resolution on the edge of images;
- the sensor is aligned with the optical block axis to get the best performance at the center of the image;
- the optical center is finally aligned with the sensor center (+/- 20 pixels or 22 micrometer).

To guarantee the ISP's image quality specifications, the factory performs an image calibration. In its internal memory, each optical unit carries the optical center, a dead pixel mapping, a lens shading mapping (luminance and color) and white balance.

Fig. 2 - Active alignment camera assembly



2.2.6 Quality

Several optical tests are performed in the course of the production process:

- MTF checks on the image center
- MTF checks on the image borders
- Camera module checks while in production:
 - Center MTF
 - MTF at 40 % of the field
 - MTF at 70 % of the field
 - Light blemishes (dark or light areas on the image, dust suspicions)
 - Dead pixels (checking the total number)
 - Optical center
 - Uniformity of brightness and color in the field
 - Cosmetic defects (stains, scratches, etc.)

3 FLIGHT CONTROLLER/FLIGHT MODES

3.1 Key characteristics

ANAFI's flight controller offers an intuitive and easy flight experience: no training is required to fly. The flight controller allows the automation of numerous flight modes and functions (Flight Plan, Follow Me, Cameraman, Hand take-off, Smart RTH).

3.2 Flight controller

3.2.1 Components

ANAFI's flight controller uses an Ambarella H22 processor, an MPU-6000 Invensense IMU, an AK8963 AKM magnetometer, an UBX-M8030U-BLOX GPS, an ultrasonar, a barometer and a vertical camera. The Parrot flight software gathers data from all sensors to estimate the altitude, the position and the speed of the drone.

3.2.2 Sensor performance

3.2.2.1 Invensense MPU-6000 IMU

3-axis gyroscope

- Range: $\pm 2000^\circ/s$
- Resolution: $0,03^\circ/s$
- Bias/accuracy: $\pm 7^\circ/s$ (after compensation)
- Stabilization at temperature (50 °C)

3-axis accelerometer

- Range: ± 16 g
- Resolution: 0,2 mg
- Bias/accuracy: ± 15 mg (X-Y) ± 67 mg (Z) (after compensation)
- Thermal calibration and stabilization at temperature: 50 °C to +/- 0.1 °C
- Measured frequency: 1 KHz

3.2.2.2 AKM AK8963 magnetometer

- Range: ± 49000 mG
- Resolution: 6 mG
- Bias/accuracy: ± 10 mG (after compensation)

3.2.2.3 ST Microelectronics LPS22HB barometer

- Range: 260-1260 hPa
- Resolution: 0,0002 hPa
- Bias/Accuracy: $\pm 0,1$ hPa
- Measuring frequency: 75 Hz
- Measure noise: 20 cm RMS

3.2.2.4 U-BLOX UBX-M8030 GPS

- Sensibility: cold start -148 dBm – tracking & navigation: -167 dBm
- Time-To-First-Fix: 35 seconds
- Position: 1,2 m standard deviation
- Speed: 0,5 m/s standard deviation
- 4 constellations: GPS L1, Galileo E1, Glonass L1 and BeiDou B1C activated
- Frequency centered on GPS L1 implies lower gain on Glonass:
 - GPS L1: +0 dB

- Galileo E1: +0 dB
- Glonass L1: -4 dB
- BeiDou B1C: +0 dB

3.2.2.5 Ultrasonar (height measurement)

- Sonic frequency: 40 KHz
- Measuring frequency: 17 Hz
- Max range on concrete: 5 m
- Max range on grass: 2 m

3.2.2.6 Vertical camera (measuring horizontal speed and height using optical flow)

- Sensor: MX388
- Resolution: 640x480
- Global shutter
- Black & white
- FOV: 53,7°
- V FOV: 41,5°
- f:2.8
- Optical flow at 60 Hz to calculate ground speed
- During hovering and precise landing, points of interest are measured at 15 Hz
- Speed estimation: 160x120 pixels - 60 fps
- Precise hovering: 160x120 pixels - 15 fps

3.2.3 Estimation algorithm

It estimates the states of the drone. An extended Kalman filter collects all sensors data to monitor 18 physical states:

- Speed on all 3 axes (x body, y body, z body)
- Attitude (phi theta psi)
- Accelerometer biases (x, y, z) of component manufacturing, the welds, aging and temperature
- All biases from the 3-axis gyroscope
- Pressure sensor bias
- x, y, z position on a NED plane
- Wind on x & y

The magnetometer bias on x, y, and z is estimated by merging data from the gyroscope and magnetometer.

Ground distance is estimated by merging the Kalman filter estimated vertical speed and the optical flow from the vertical camera.

The thrust model's correction factor is calculated from the delta between the acceleration predicted by the drone's dynamic equation on z-axis and the accelerometer sensed value. This factor allows the calculation of the drone's balance control in order to compensate for its own weight.

3.2.4 Control loop

The control loop runs at 200 Hz. It manages all instructions sent to the motors, including all commands linked to altitude, positioning, attitude and control blending.

3.2.4.1 Altitude instructions

- Trajectory and feedforward generation uses an ideal model: it dissociates trajectory dynamics from disturbance rejection while reducing altitude control errors
- PID type altitude control

3.2.4.2 Position control loop

- Trajectory and feedforward generation using an ideal model: it dissociates trajectory dynamics from disturbance rejection while reducing positioning control errors
- PID type position control
- Wind correction

3.2.4.3 Attitude instructions

- Trajectory and feedforward generation using an ideal model: it dissociates trajectory dynamics from disturbance rejection while reducing attitude control errors
- PID type attitude control
- Aerodynamic torque compensation
- Estimation of external torques

3.2.4.4 Commands blending

- Blending of altitude and attitude commands allow to derive motor instructions and their saturation
- Commands are prioritized in the following order:
 - Pitch
 - Roll
 - Altitude feedforward
 - Yaw
 - Altitude

3.3 Flight modes

3.3.1 Precise Hovering

While hovering, the drone's vertical camera captures a reference frame. It is then compared to subsequent shots taken at 15Hz. The algorithm calculates the camera movement that would minimize the reprojection error between the reference photo and more recent one. This movement is then used as an instruction for the autopilot.

ANAFI is stable within a 1.5 cm radius-sphere at 1 m height.

The algorithm also allows for yaw stabilization and contributes to the overall image stabilization performance.

3.3.2 Precise Return Home (RTH)

At the end of the take-off sequence, the vertical camera takes a picture. When the drone lands, or hovers above the RTH target, the algorithm takes a new picture. The algorithm then measures the reprojection error between the two pictures, which serves as an instruction for the autopilot.

3.3.3 Smart RTH

The drone keeps track of the amount of energy needed to return to its take-off position. It analyzes the distance already flown as well as the wind resistance encountered and compares these values with the remaining energy of the battery. When only a thin safety margin is left, the RTH function is automatically initiated - which can be cancelled by the user.

3.3.4 Automated take-off

The drone stabilizes at 1 m height, hovering. It uses its GPS and vertical camera to hold its position, even despite strong winds.

3.3.5 Hand take-off

The drone's motors start rotating at minimal speed and wait to detect the launch. It then stabilizes at the same height at which it was launched.

3.3.6 Low altitude flight

The drone can fly as low as 50 cm from the ground.

3.3.7 Automated landing

Regardless of the drone's altitude, when the remaining energy of the battery is close to that needed to land safely, the emergency automated landing sequence initiates. The user can still control the drone horizontally to reach a convenient landing spot, but he cannot cancel the landing.

3.4 Flying Modes

3.4.1 Manual

The Parrot Skycontroller 3 allows you to fly in four different control modes.

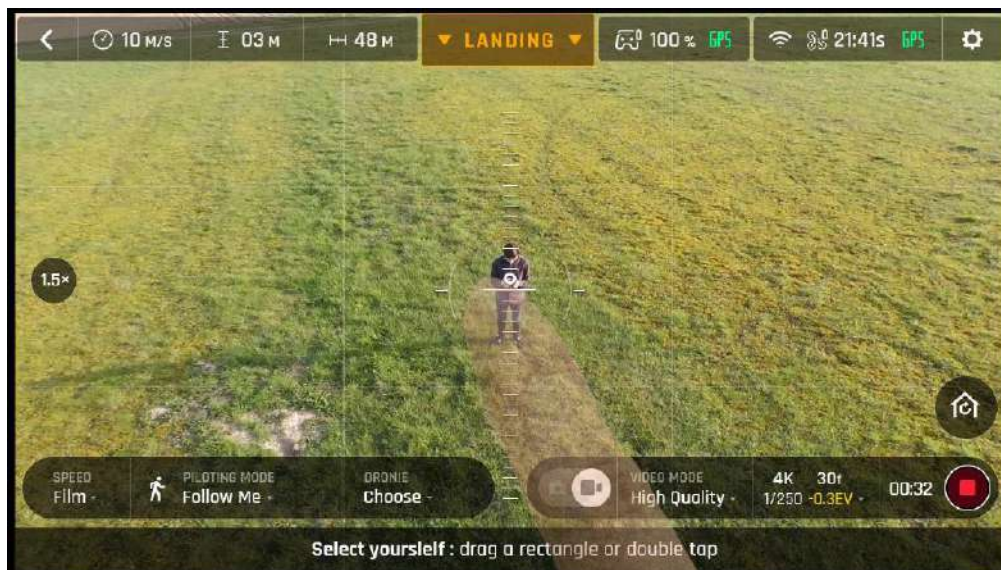
	Left joystick	Right joystick
Mode 1	Elevation & rotation	Direction
Mode 2	Direction	Elevation & rotation
Mode 3	Acceleration & rotation	Elevation & rotation
Mode 4	Elevation & rotation	Acceleration & rotation

3.4.2 Automatic

3.4.2.1 Follow Me

The user selects himself on the screen (double tap or tap & drag). ANAFI follows the user from up to 30 m away.

Fig. 3 - Follow Me screenshot



The Follow Me mode combines visual and GPS tracking algorithms.

Visual tracking combines:

- 1) a motion model of the target's position in relation to the drone's position;
- 2) a visual tracking algorithm (optical flow and online learning based on SVM);
- 3) a target segmentation algorithm.

The SVM algorithm initiates tracking with a single shot and keeps updating target recognition. The algorithm can manage changes in the silhouette of the target – for example, the algorithm follows the directional changes of a moving vehicle (side view followed by rear view).

The algorithm is robust: the convolutional neural network identifies objects within the scene regardless of the orientation of the tracked silhouette. Its use is optimized for portable devices.

This convolutional neural network is trained on public VOC and COCO databases and fine-tuned on a Parrot drone images database, ensuring the highest level of reliability.

This neural network can detect cars and pedestrians:

- Target height > 1/3 the image: 100 % detection level
- Target height > 1/8 the image: 66 % detection level
- Target height > 1/15 the image: 50 % detection level

Finally, a Kalman filter performs the GPS/Vision merging.

3.4.2.2 Cameraman

This mode implies selecting a target (person, vehicle, building, animal, etc.) on the screen (double tap / tap & drag). When activated, the camera keeps the target framed (roughly 30 m range, depending on the size of the target).

The visual tracking is based on the same algorithm as the Follow Me mode.

The algorithm (neural network and proprietary AI) adapts to the evolution of the shape and directional changes of the target.

The pilot concentrates on the flight while the camera automatically adapts its framing (pitch and yaw) to keep the target in its frame.

3.4.2.3 Touch & Fly

The Touch & Fly flight mode enables the user to define the destination of the drone with a simple touch on the screen. The GPS coordinates of the selected location are transmitted to the drone.

Fig. 4 - Touch & Fly screenshot

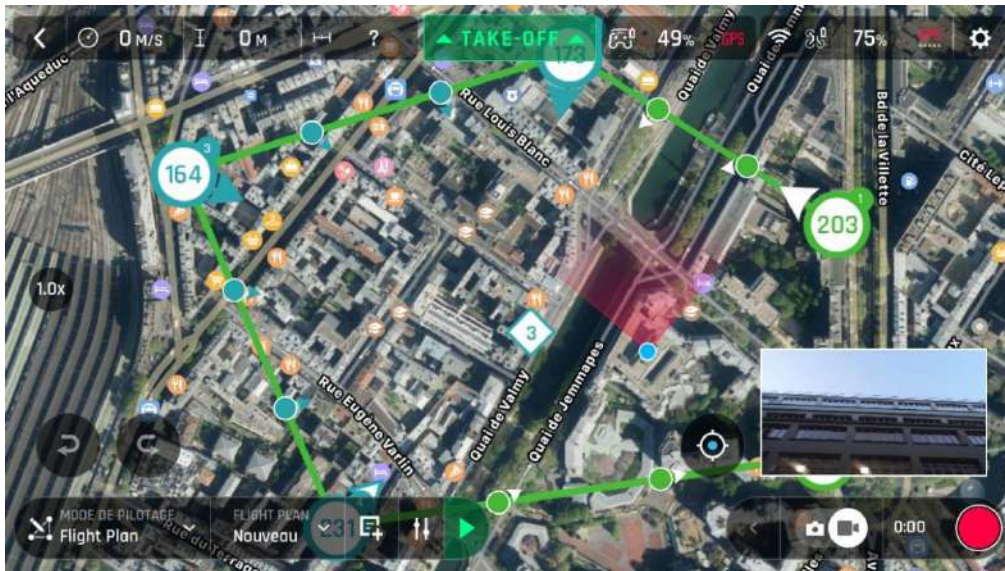


3.4.2.4 Flight Plan

The Flight Plan function of FreeFlight 6 enables users to prepare their missions offline, directly on their screen of their device by selecting waypoints, altitude and camera axis. Parrot has simplified the ergonomics of mission planning, which is usually a complex task. Each flight plan can be saved and edited without limitation.

A flight plan is possible even without radio connection.

Fig. 5 - Flight plan screenshot



3.4.2.5 Automated flight

The Cineshot function of FreeFlight 6 carries 4 automated shots (360, Reveal, Spiral, Epic). Parrot can also program and automate specific flight sequence-shots upon request.

4 FREEFLIGHT 6

4.1 Key characteristics

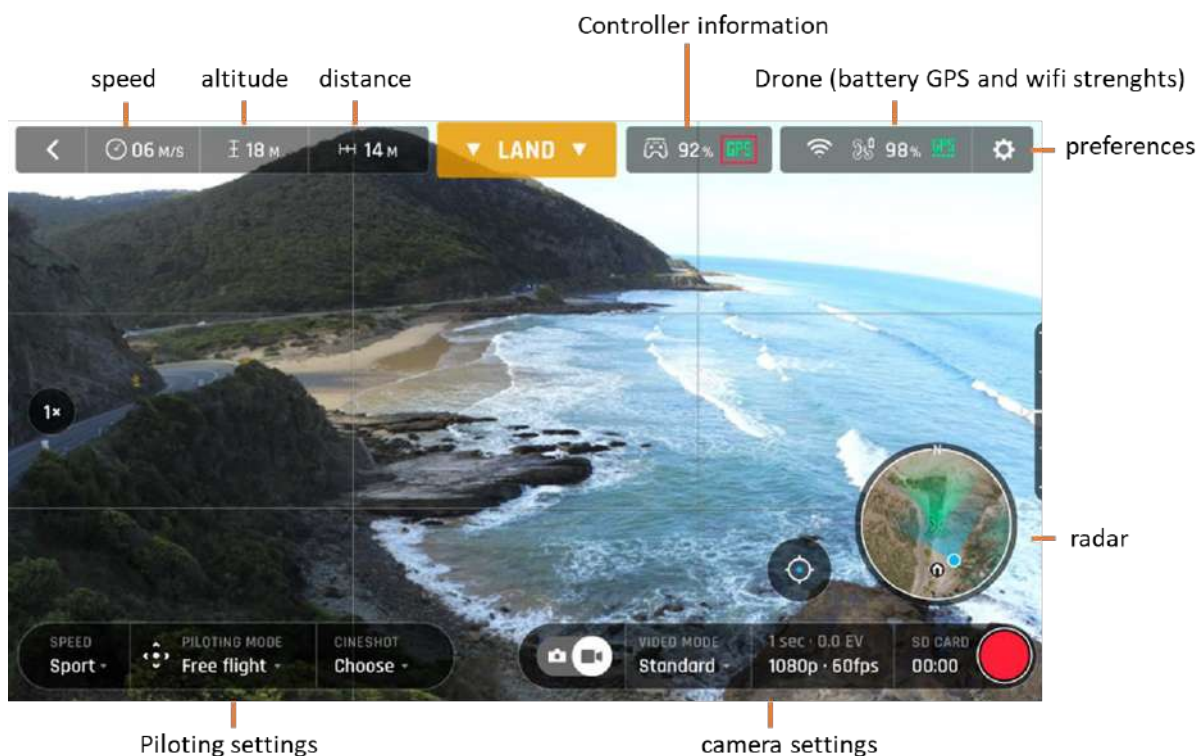
- FreeFlight 6 is not only a drone piloting application, but a complete interface from which users select all their flight, photo and video settings. It can be used in conjunction with the Parrot Skycontroller 3 controller or without, in a device only set-up.
- ANAFI can be configured and ready for flight in 28 seconds.
- ANAFI is equipped with a 16 GB microSD card which can record a full flight (25 minutes) in 4K.

4.2 HUD

The HUD (Head-Up Display) is the ergonomic interface of FreeFlight 6, presenting flight controls, settings and telemetry on a single screen:

- Altitude
- Distance
- GPS
- Drone battery level
- Controller battery level
- Radar

Fig. 6 - FreeFlight UI - video stream & controls



4.3 Flight Plan UI

Each Flight Plan is programmed using waypoints. The altitude and camera axis of each waypoint is customizable. The drone speed can be modified between each waypoint. The camera axis can be oriented toward a Point of Interest (POI), forcing the drone to focus on the POI during the flight.

Note: there is no software limitation on the number of Flight Plans that can be recorded.

Since FreeFlight 6.5, users can import JSON files flight plans to the application. The flight plans created in FreeFlight 6 are also readable and editable from computers.

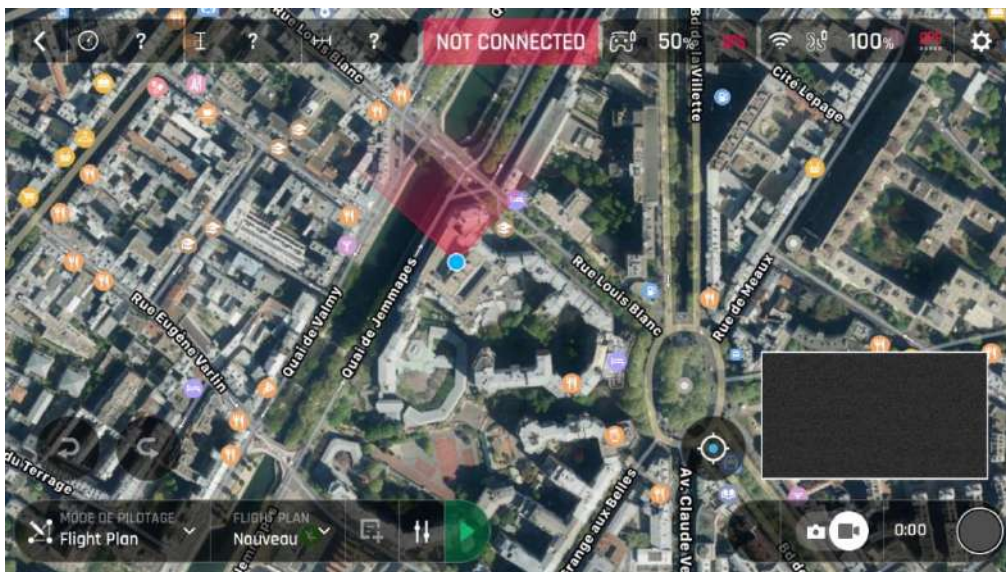
Fig. 7 - Flightplan screenshot



4.4 Map backgrounds

Available cartographies: iOS or Android
Other cartographies are available upon request.

Fig. 8 - iOS Cartography



4.5 Visualizing media

Media transfer is available directly from ANAFI without extracting the microSD card, using a USB cable. Media transfer is also possible directly from the FreeFlight 6 gallery to a device. The double gallery of FreeFlight 6 separates media stored on ANAFI's microSD card and ANAFI media downloaded on the device.

4.6 Automated updates

FreeFlight 6 updates may also carry one or more of the following updates:

- Drone firmware

- Battery firmware
- GPS
- WIFI chipset firmware
- Parrot Skycontroller 3 controller firmware

4.7 GSDK

ANAFI's Software Development Kit (SDK) is available to the public. It contains:

4.7.1.1 GroundSDK: Available for iOS (Swift et Objective C) and Android (JAVA)

The GroundSDK framework allows the user to develop his own mobile applications, based on the controls or the video stream of ANAFI, for example. GroundSDK, including its entire libraries, is available as an open source package, ready to compile - as well as in CocoaPods (iOS) and ARR (Android).

The code is published under BSD-3 license and comes with an installation guide, API documentation, as well as a demo application.

4.7.1.2 PDrAW: Available on Unix systems (Linux and MacOS)

PDrAW and its suite are a set of software libraries and tools allowing the user to exploit live video stream (RTP) as well as recorded ones (MP4).

PDrAW is used by GroundSDK on Android and iOS and it can be used independently on Linux and MacOS environments. PDrAW and its suite are available in open source code. The code is published under license BSD-3 and comes with an installation guide and API documentation.

4.7.1.3 SPHINX Simulator

This software-in-the-loop simulator allows us to simulate ANAFI in 3D in real time. Sphinx is based on the open source robotic simulation framework Gazebo.

ANAFI's firmware, as simulated on an emulated hardware (camera, sensors and actuators), is identical to ANAFI's actual software. The simulator allows automated testing (headless) and alteration of a hardware peripheral, in real time.

4.7.1.4 MAVLink Compatibility

The ANAFI platform is compatible with the open source protocol MAVLink v1, that allows real time data exchange between the drone and a control station. ANAFI can be piloted manually or through an automatic flight plan from any MAVLink V1 station, such as QGroundControl.

Fig. 9 - MAVLink protocol

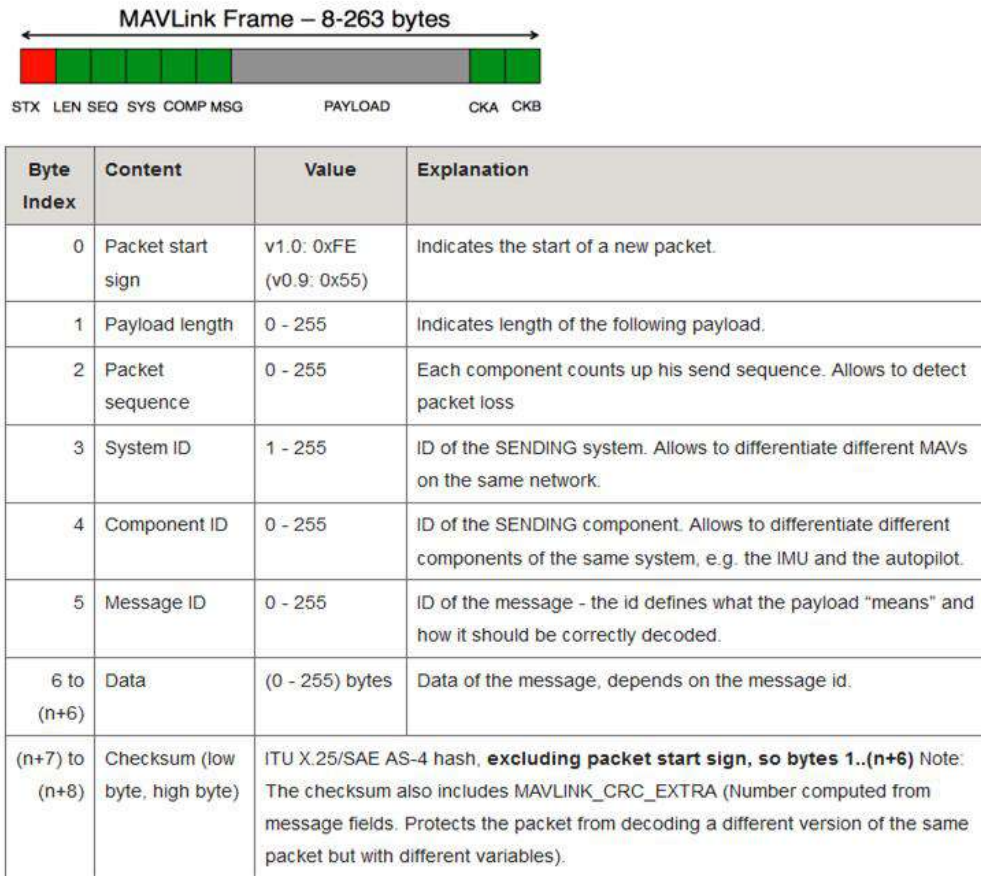
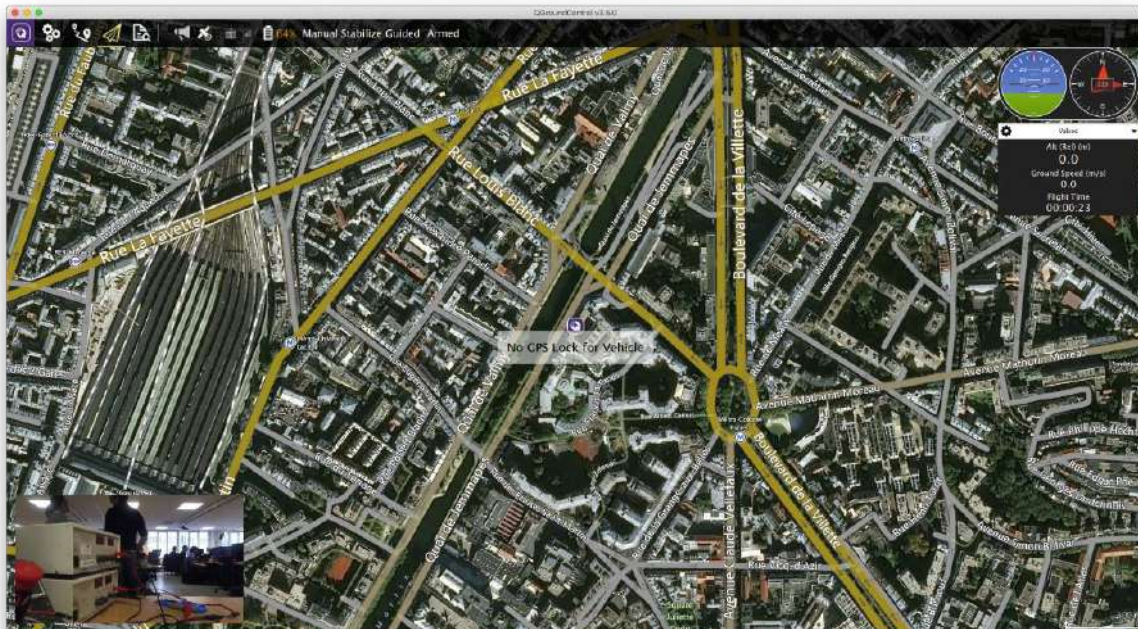


Fig. 10 - QGroundControl ANAFI piloting interface



5 VIDEO STREAMING

5.1 Key characteristics

- H264 encoding with RTSP and RTP transmission protocols
- The video stream is compatible with RTP-compatible players, like VLC or mplayer
- Live stream: 720 p (HD) 30 fps, 5 Mb/s
- Compatible with the following H264 and MPEG standards
- Reduced latency (280 ms from end to end)

5.2 Stream performance

<i>ANAFI Video stream performance</i>	
Resolution	720 p
Frame rate selector	24/25/30
Stream rate	5 Mb/s
Bit rate	Up to 5 Mb/s
Video encoding	H264 main profile
Protocol	RTSP and RTP (VLC compatible)
Latency	280 ms from end to end

5.2.1.1 Video stream optimization algorithms used

5.2.1.2 Advanced encoding for Error resilience

The H264 stream is designed to minimize the impact of packet losses and to dilute errors. The algorithm combines slice-encoding and a periodic intra-refresh. It encodes images as 45 slices of 16 pixels height, then refreshes them by batch of 5, every 3 images (the refresh is complete every 29 images).

5.2.1.3 Error concealment

Reduces glitches and packet loss of the video stream.

5.2.1.4 Congestion control

The algorithm consistently scans radio and Wi-Fi bands to avoid losses and packet congestion and to reduce latency.

5.2.1.5 Metadata

The video stream contains telemetric flight data (altitude, GPS, speed, etc.). This data is available for SDK integration.

6 BATTERY

ANAFI's battery is the most evolved on the light drones' market.

6.1 Key Characteristics

- High density
- Intelligent power management
- Wintering
- Smart charging
- Quality control
- Cloud

6.2 Performance

Battery Performance	
Weight	125 g
Battery Energy density	164 Wh/kg
Charging Time	90 min (USB-PD)
Energy	HD battery (HV)
Cells	LiPo 2S
Capacity	2700 mAh 8 V
Charger	USB-C Power Delivery Charger
Cycle Life	94 % remaining capacity after 360 cycles
Storage Temperature	-20 °C/40 °C
Minimal take-off temperature	-14 °C (21 min)
Typical take-off temperature	40 °C (25 min)
Maximal take-off temperature	+60 °C (13 min)

6.3 Features

6.3.1 Smart power management

ANAFI's battery integrates a power gauge which accurately monitors, every 250 ms, the battery voltage, the charge and discharge currents, and the battery temperature.

The battery determines the available charge, battery run time, and battery state-of-charge (SOC) using the gauge parameters, the age of the battery, as well as its state-of-health. The state-of-health of a battery is a figure of merit of its current condition relative to its nominal capacity -2700 mAh for ANAFI.

The accurate control of battery parameters allows the integration of the Smart RTH feature: ANAFI calculates in real time the amount of energy necessary (critical threshold) to return to its take-off position. ANAFI automatically returns to its take-off point when the battery reaches the critical threshold.

6.3.2 Wintering

After 10 days of inactivity, the battery automatically enters wintering mode, which keeps the battery at an optimal state-of-charge (60 % of the nominal charge) in order to extend its lifetime.

This mode ensures the best possible preservation when batteries are stored. It eliminates leakage current by isolating the cells from the motherboard, thus avoiding a weak voltage level to be drawn (3 V) that would damage the battery.

6.3.3 Storage

The battery can be stored for 10 months as is, by maintaining the voltage across the cell terminals at a higher voltage level (3 V) than the deterioration voltage.

Storage conditions: between -20 °C and +35 °C with humidity lower than 75 %.

6.3.4 Smart charging

ANAFI's battery are easily and quickly charged by any USB-C adapter, through its unique 18 W integrated charger – a first on the market. Furthermore, the battery is USB Power Delivery compatible, for a fast USB charge. With a USB 3.0 Power Delivery adapter delivering 9 V to 12 V, the battery is fully charged in 90 minutes.

Unlike most other drones, ANAFI's battery is equipped with an onboard charger, making it a lot less cumbersome. ANAFI's Parrot Skycontroller 3 and batteries are charged through the same USB-C charger that would charge a PC or a mobile phone.

Charging conditions: between -10 °C and +45 °C with humidity lower than 75 %.

6.3.5 USB-C Interface

The battery's USB-C port allows for external charging of a device such as a 4G USB key; a CO2 sensor; any other compatible device connected through USB.

6.3.6 Powerbank

The battery can be used as a power bank for many types of devices (smartphone, tablet, etc.).

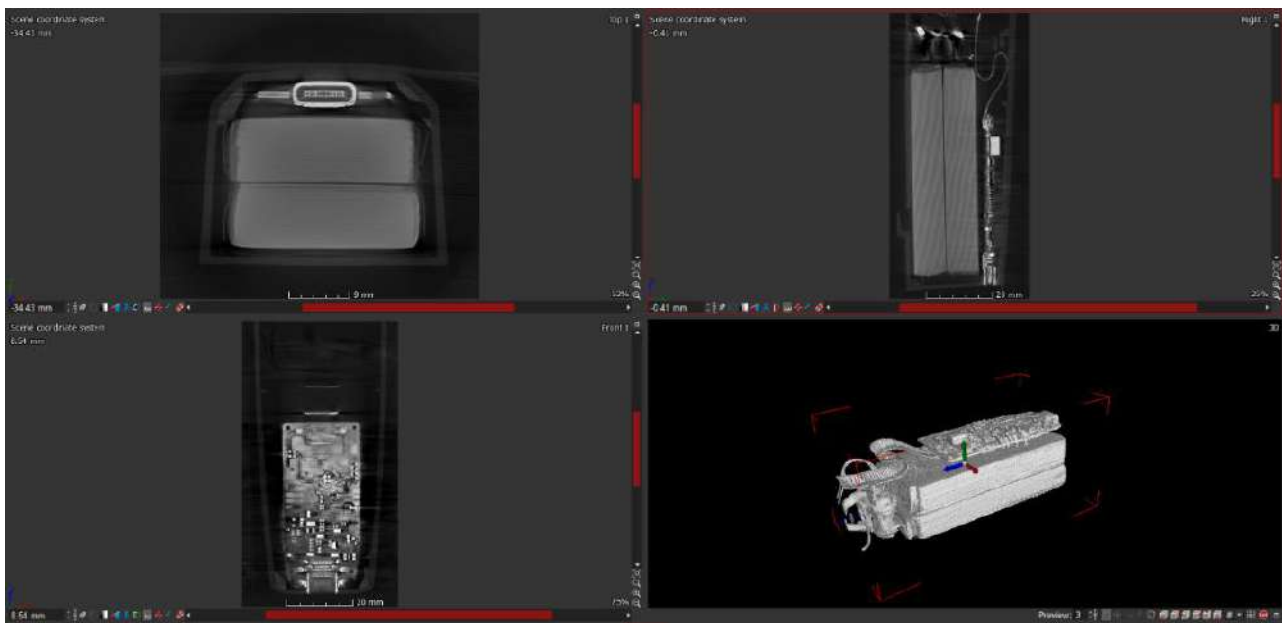
6.3.7 Charge indicator

When charging, the 4 LED on the battery indicate its charge level.

When the battery not connected to the drone, the charge level can be displayed by pressing the ON/OFF button.

When the drone is powered on using the battery, the number of LED indicates the remaining flight time.

Fig. 11 - X-ray of an ANAFI battery



6.4 Quality

- Parrot is ISO9001 certified
- The batteries are CE and FCC certified
- The batteries are UM383 certified (transport certification)
- Quality control at the battery supplier facility: Parrot has imposed a reinforced quality control on battery production (supplier audit, QC controls), including test benches which monitor the assembly at each production stage.
- Manufacturing control: Parrot performs quality checks at the drone manufacturer facility. Every battery is checked on a test bench during production, on a wide series of parameters: voltage, current, impedance, smart battery and wintering functions.
- Parrot performs random sampling to check cell quality (folding, assembly and connectors), using X-ray and tomography.
- Storage checks: the state of batteries (state-of-charge) stored by Parrot is controlled every 4 months.
- Firmware update: the battery's firmware is updated over the air (OTA) to provide the latest improvements and the bug corrections.
- Wintering mode prevents the battery from degrading while reducing storage risks.
- FreeFlight 6 notifies the user in case of battery defect.