


**Sehr geehrte Kundin, sehr geehrter Kunde,**

vielen Dank für den Kauf dieser WLAN-LED-Deckenleuchte. Bitte lesen Sie die im Folgenden aufgeführten Hinweise und Tipps ausführlich durch.



Bitte beachten Sie, dass es sich hierbei lediglich um Anwendungshinweise zum sicheren Gebrauch handelt.

Damit Sie Ihre WLAN-LED-Deckenleuchte **optimal einsetzen können, laden Sie sich die Bedienungsanleitung vor Inbetriebnahme online herunter unter:**


[www.pearl.de/support](http://www.pearl.de/support)

Geben Sie dort im Suchfeld NX-6204 bzw. NX-6205 bzw. NX-6206 ein.

**Empfohlene App**

Zum Betrieb benötigen Sie eine App, die eine Verbindung zwischen Ihrer Kamera und Ihrem Mobilgerät herstellen kann. Wir empfehlen hierzu die kostenlose App **ELESION**.

**Technische Daten**

Stromversorgung	230 Volt AC, 50 Hz	
Leistungsaufnahme	18 / 24 / 36 Watt	
Energieeffizienzklasse	A	
Helligkeit	1.350 / 1.920 / 2.800 lm	
Dimmbar	✓	
Farbtemperatur	2700 – 6500 K	
WLAN	Standard	IEEE 802.11 a/b/g/n
	Funkfrequenz	2.412 – 2.472 MHz
	Sendeleistung	18 dBm
Schutzklasse I		Schutzleiter
Maße (Ø x H)	NX-6204-675	34 x 6,5 cm
	NX-6205-675	39 x 6,5 cm
	NX-6206-675	49 x 6,5 cm
Gewicht	NX-6204-675	500 g
	NX-6205-675	660 g
	NX-6206-675	1.100 g

**Produktvarianten**

NX-6204-675: WLAN-LED-Deckenleuchte, 18 W, 1.350 lm  
 NX-6205-675: WLAN-LED-Deckenleuchte, 24 W, 1.920 lm  
 NX-6206-675: WLAN-LED-Deckenleuchte, 36 W, 2.800 lm

**Lieferumfang**

- WLAN-LED-Deckenleuchte
- Montage-Material
- Schnellstartanleitung


**Zusätzlich benötigt:**

- Mobilgerät mit Android ab 4.1 / iOS ab 9
- 2,4-GHz-WLAN-Netzwerk



**HINWEIS:**

Die Deckenleuchte ist nicht für die Verwendung im Außenbereich geeignet.



**ELESION:**  
Scannen Sie den QR-Code, um eine Übersicht weiterer ELESION-Produkte aufzurufen.

**Montage**

**HINWEIS:**



Bitte beachten Sie, dass das mitgelieferte Montage-material für den gewünschten Anbringungsort möglicherweise nicht geeignet ist. Passendes Montagematerial erhalten Sie im Baumarkt.



**ACHTUNG!**

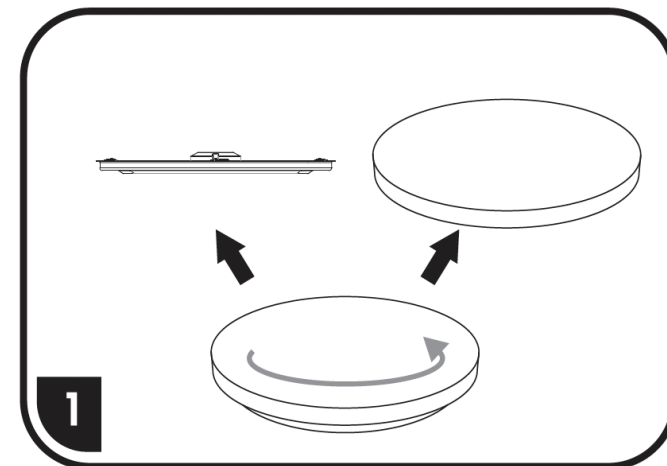
Stellen Sie den Strom ab, bevor Sie mit der Montage beginnen!



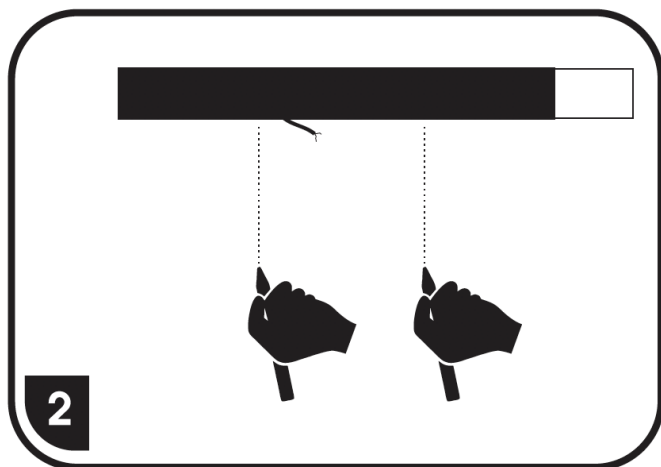
**HINWEIS:**

Falls Sie über keine Erfahrung mit Montagearbeiten verfügen, lassen Sie die Montage von einer Fachperson vornehmen.

1. Drehen Sie die Lampenschale gegen den Uhrzeigersinn und nehmen Sie sie von der LED-Platte ab.



2. Markieren Sie an der gewünschten Stelle drei Bohrlöcher für die Deckenleuchte. Nehmen Sie die LED-Platte als Schablone.

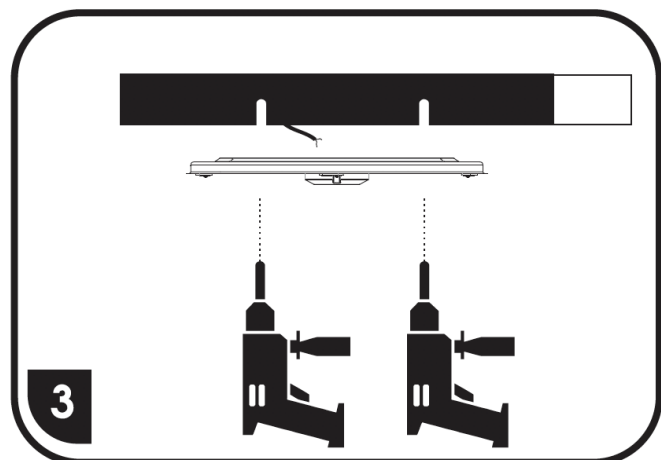


**ACHTUNG!**

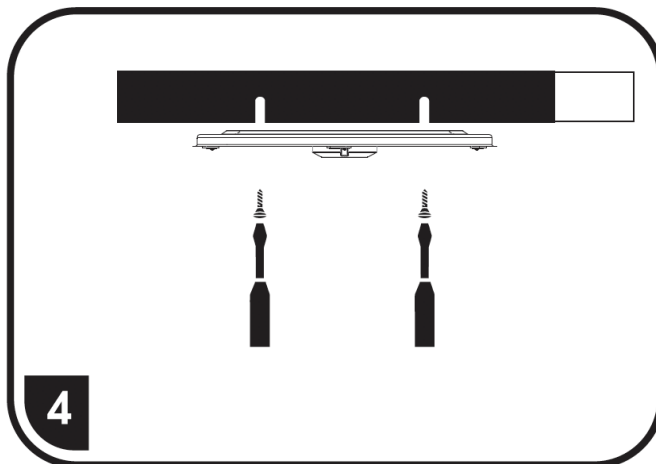


**Achten Sie darauf, dass an der gewählten Bohrstelle keine Leitungen oder Rohre verlaufen. Dies kann zu Verletzungen oder Umgebungschäden führen!**

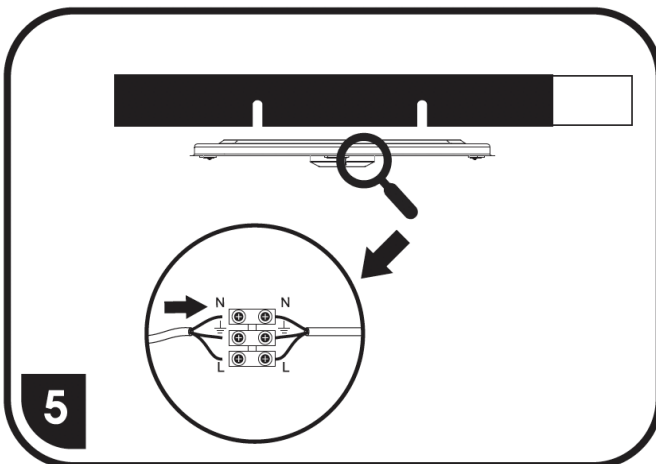
3. Bohren Sie an den markierten Stellen Löcher. Setzen Sie Dübel in die Löcher ein.



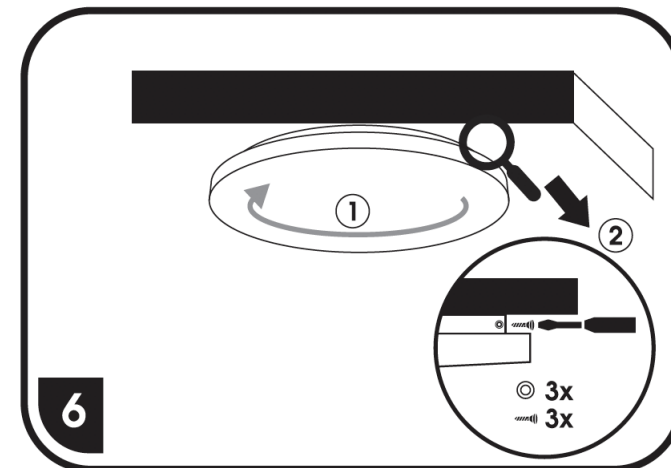
4. Führen Sie die Stromkabel durch die dafür vorgesehene Öffnung in der LED-Platte. Schrauben Sie die LED-Platte anschließend fest.



5. Schließen Sie die Kabel wie abgebildet an.



6. Setzen Sie die Lampenschale auf die LED-Platte auf und drehen Sie sie im Uhrzeigersinn fest. Schrauben Sie sie anschließend fest.



### Sicherheitshinweise

- Lesen Sie die Gebrauchsanweisung aufmerksam durch. Sie enthält wichtige Hinweise für den Gebrauch, die Sicherheit und die Wartung des Gerätes.
- Bewahren Sie die Gebrauchsanweisung sorgfältig auf und geben Sie sie gegebenenfalls an Nachbenutzer weiter.
- Das Gerät darf nur für den vorgesehenen Zweck, gemäß dieser Gebrauchsanweisung, verwendet werden.
- Beachten Sie beim Gebrauch die Sicherheitshinweise.
- Überprüfen Sie vor der Inbetriebnahme das Gerät und seine Anschlussleitung sowie Zubehör auf Beschädigungen.
- Verwenden Sie das Gerät nicht, wenn es sichtbare Schäden aufweist.
- Prüfen Sie, ob die auf dem Typenschild angegebene Netzspannung mit der Ihres Stromnetzes übereinstimmt.
- Das Gerät ist ausschließlich für den Haushaltsgebrauch oder ähnliche Verwendungszwecke bestimmt. Es darf nicht für gewerbliche Zwecke verwendet werden!
- Das Gerät ist nur zur Verwendung in Innenräumen geeignet.
- Benutzen Sie das Gerät niemals nach einer Fehlfunktion, z.B. wenn das Gerät ins Wasser oder heruntergefallen ist oder auf eine andere Weise beschädigt wurde.
- Der Hersteller übernimmt keine Verantwortung bei falschem Gebrauch, der durch Nichtbeachtung der Gebrauchsanleitung zustande kommt.
- Ein Umbauen oder Verändern des Produktes beeinträchtigt die Produktsicherheit. Achtung, Verletzungsgefahr!
- Alle Änderungen und Reparaturen an dem Gerät oder Zubehör dürfen nur durch den Hersteller oder von ihm ausdrücklich hierfür autorisierte Personen durchgeführt werden.
- Technische Änderungen und Irrtümer vorbehalten!

### Wichtige Hinweise zur Entsorgung

Dieses Elektrogerät gehört **nicht** in den Hausmüll. Für die fachgerechte Entsorgung wenden Sie sich bitte an die öffentlichen Sammelstellen in Ihrer Gemeinde. Einzelheiten zum Standort einer solchen Sammelstelle und über ggf. vorhandene Mengenbeschränkungen pro Tag/Monat/Jahr entnehmen Sie bitte den Informationen der jeweiligen Gemeinde.

### Konformitätserklärung

Hiermit erklärt PEARL.GmbH, dass sich die Produkte NX-6204-675, NX-6205-675 und NX-6206-675 in Übereinstimmung mit der RoHS-Richtlinie 2011/65/EU, der Niederspannungsrichtlinie 2014/35/EU, der Funkanlagen-Richtlinie 2014/53/EU und der Ökodesignrichtlinie 2009/125/EG befinden.

*Kurtasz, A.*

Qualitätsmanagement  
Dipl. Ing. (FH) Andreas Kurtasz

Die ausführliche Konformitätserklärung finden Sie unter [www.pearl.de/support](http://www.pearl.de/support). Geben Sie dort im Suchfeld die Artikelnummer NX-6204 bzw. NX-6205 bzw. NX-6206 ein.

Informationen und Antworten auf häufige Fragen (FAQs) zu vielen unserer Produkte sowie ggfs. aktualisierte Handbücher finden Sie auf der Internetseite:

**<https://www.luminea.info/>**

Geben Sie dort im Suchfeld die Artikelnummer oder den Artikelnamen ein.

### GPL-Lizenztext

Wir senden Ihnen auf Anforderung (gerne unter [opensource@pearl.de](mailto:opensource@pearl.de)) den Source Code auch auf einem handelsüblichen Datenträger, dessen Herstellungskosten wir im Gegenzug geltend machen. Den vollständigen Lizenztext ersehen Sie nachfolgend. Näheres, insbesondere auch dazu, warum es keine offizielle deutsche Übersetzung der Lizenzbedingungen gibt, erfahren Sie unter <http://www.gnu.org/licenses/gpl-2.0.html>. Da es sich um freie Software handelt, schließen die Entwickler dieser Software die Haftung, soweit gesetzlich zulässig, aus. Bitte beachten Sie, dass die Gewährleistung für die Hardware davon natürlich nicht betroffen ist und in vollem Umfang besteht. Weitere Fragen beantworten wir Ihnen gerne unter [opensource@pearl.de](mailto:opensource@pearl.de).

GNU GENERAL PUBLIC LICENSE  
Version 2, June 1991

Copyright (C) 1989, 1991 Free Software Foundation, Inc.,  
51 Franklin Street, Fifth Floor, Boston, MA 02110-1301 USA  
Everyone is permitted to copy and distribute verbatim copies  
of this license document, but changing it is not allowed.

#### Preamble

The licenses for most software are designed to take away your freedom to share and change it. By contrast, the GNU General Public License is intended to guarantee your freedom to share and change free software—to make sure the software is free for all its users. This General Public License applies to most of the Free Software Foundation's software and to any other program whose authors commit to using it. (Some other Free Software Foundation software is covered by the GNU Lesser General Public License instead.) You can apply it to your programs, too.

When we speak of free software, we are referring to freedom, not price. Our General Public Licenses are designed to make sure that you have the freedom to distribute copies of free software (and charge for this service if you wish), that you receive source code or can get it if you want it, that you can change the software or use pieces of it in new free programs; and that you know you can do these things.

To protect your rights, we need to make restrictions that forbid anyone to deny you these rights or to ask you to surrender the rights. These restrictions translate to certain responsibilities for you if you distribute copies of the software, or if you modify it.

For example, if you distribute copies of such a program, whether gratis or for a fee, you must give the recipients all the rights that you have. You must make sure that they, too, receive or can get the source code. And you must show them these terms so they know their rights.

We protect your rights with two steps: (1) copyright the software, and (2) offer you this license which gives you legal permission to copy, distribute and/or modify the software.

Also, for each author's protection and ours, we want to make certain that everyone understands that there is no warranty for this free software. If the software is modified by someone else and passed on, we want its recipients to know that what they have is not the original, so that any problems introduced by others will not reflect on the original authors' reputations.

Finally, any free program is threatened constantly by software patents. We wish to avoid the danger that redistributors of a free program will individually obtain patent licenses, in effect making the program proprietary. To prevent this, we have made it clear that any patent must be licensed for everyone's free use or not licensed at all.

The precise terms and conditions for copying, distribution and modification follow.

#### GNU GENERAL PUBLIC LICENSE TERMS AND CONDITIONS FOR COPYING, DISTRIBUTION AND MODIFICATION

0. This License applies to any program or other work which contains a notice placed by the copyright holder saying it may be distributed under the terms of this General Public License. The "Program", below, refers to any such program or work, and a "work based on the Program" means either the Program or any derivative work under copyright law: that is to say, a work containing the Program or a portion of it, either verbatim or with modifications and/or translated into another language. (Hereinafter, translation is included without limitation in the term "modification".) Each licensee is addressed as "you".

Activities other than copying, distribution and modification are not covered by this License; they are outside its scope. The act of running the Program is not restricted, and the output from the Program is covered only if its contents constitute a work based on the Program (independent of having been made by running the Program). Whether that is true depends on what the Program does.

1. You may copy and distribute verbatim copies of the Program's source code as you receive it, in any medium, provided that you conspicuously and appropriately publish on each copy an appropriate copyright notice and disclaimer of warranty; keep intact all the notices that refer to this License and to the absence of any warranty; and give any other recipients of the Program a copy of this License along with the Program.

You may charge a fee for the physical act of transferring a copy, and you may at your option offer warranty protection in exchange for a fee.

2. You may modify your copy or copies of the Program or any portion of it, thus forming a work based on the Program, and copy and distribute such modifications or work under the terms of Section 1 above, provided that you also meet all of these conditions:

- You must cause the modified files to carry prominent notices stating that you changed the files and the date of any change.
- You must cause any work that you distribute or publish, that in whole or in part contains or is derived from the Program or any part thereof, to be licensed as a whole at no charge to all third parties under the terms of this License.
- If the modified program normally reads commands interactively when run, you must cause it, when started running for such interactive use in the most ordinary way, to print or display an announcement including an appropriate copyright notice and a notice that there is no warranty (or else, saying that you provide a warranty) and that users may redistribute the program under these conditions, and telling the user how to view a copy of this License. (Exception: if the program itself is interactive but does not normally print such an announcement, your work based on the Program is not required to print an announcement.)

These requirements apply to the modified work as a whole. If identifiable sections of that work are not derived from the Program, and can be reasonably considered independent and separate works in themselves, then this License, and its terms, do not apply to those sections when you distribute them as separate works. But when you distribute the same sections as part of a whole which is a work based on the Program, the distribution of the whole must be on the terms of this License, whose permissions for other licensees extend to the entire whole, and thus to each and every part regardless of who wrote it.

Thus, it is not the intent of this section to claim rights or contest your rights to work written entirely by you; rather, the intent is to exercise the right to control the distribution of derivative or collective works based on the Program.

In addition, mere aggregation of another work not based on the Program with the Program (or with a work based on the Program) on a volume of a storage or distribution medium does not bring the other work under the scope of this License.

3. You may copy and distribute the Program (or a work based on it, under Section 2) in object code or executable form under the terms of Sections 1 and 2 above provided that you also do one of the following:

- Accompany it with the complete corresponding machine-readable source code, which must be distributed under the terms of Sections 1 and 2 above on a medium customarily used for software interchange; or,
- Accompany it with a written offer, valid for at least three years, to give any third party, for a charge no more than your cost of physically performing source distribution, a complete machine-readable copy of the corresponding source code, to be distributed under the terms of Sections 1 and 2 above on a medium customarily used for software interchange; or,
- Accompany it with the information you received as to the offer to distribute corresponding source code. (This alternative is allowed only for noncommercial distribution and only if you received the program in object code or executable form with such an offer, in accord with Subsection b above.)

The source code for a work means the preferred form of the work for making modifications to it. For an executable work, complete source code means all the source code for all modules it contains, plus any associated interface definition files, plus the scripts used to control compilation and installation of the executable. However, as a special exception, the source code distributed need not include anything that is normally distributed (in either source or binary form) with the major components (compiler, kernel, and so on) of the operating system on which the executable runs, unless that component itself accompanies the executable.

If distribution of executable or object code is made by offering access to copy from a designated place, then offering equivalent access to copy the source code from the same place counts as distribution of the source code, even though third parties are not compelled to copy the source along with the object code.

4. You may not copy, modify, sublicense, or distribute the Program except as expressly provided under this License. Any attempt otherwise to copy, modify, sublicense or distribute the Program is void, and will automatically terminate your rights under this License. However, parties who have received copies, or rights, from you under this License will not have their licenses terminated so long as such parties remain in full compliance.

5. You are not required to accept this License, since you have not signed it. However, nothing else grants you permission to modify or distribute the Program or its derivative works. These actions are prohibited by law if you do not accept this License. Therefore, by modifying or distributing the Program (or any work based on the Program), you indicate your acceptance of this License to do so, and all its terms and conditions for copying, distributing or modifying the Program or works based on it.

6. Each time you redistribute the Program (or any work based on the Program), the recipient automatically receives a license from the original licensor to copy, distribute or modify the Program subject to these terms and conditions. You may not impose any further restrictions on the recipients' exercise of the rights granted herein. You are not responsible for enforcing compliance by third parties to this License.

7. If, as a consequence of a court judgment or allegation of patent infringement or for any other reason (not limited to patent issues), conditions are imposed on you (whether by court order, agreement or otherwise) that contradict the conditions of this License, they do not excuse you from the conditions of this License. If you cannot distribute so as to satisfy simultaneously your obligations under this License and any other pertinent obligations, then as a consequence you may not distribute the Program at all. For example, if a patent license would not permit royalty-free redistribution of the Program by all those who receive copies directly or indirectly through you, then the only way you could satisfy both it and this License would be to refrain entirely from distribution of the Program.

If any portion of this section is held invalid or unenforceable under any particular circumstance, the balance of the section is intended to apply and the section as a whole is intended to apply in other circumstances.

It is not the purpose of this section to induce you to infringe any patents or other property right claims or to contest validity of any such claims; this section has the sole purpose of protecting the integrity of the free software distribution system, which is implemented by public license practices. Many people have made generous contributions to the wide range of software distributed through that system in reliance on consistent application of

that system; it is up to the author/donor to decide if he or she is willing to distribute software through any other system and a licensee cannot impose that choice.

This section is intended to make thoroughly clear what is believed to be a consequence of the rest of this License.

8. If the distribution and/or use of the Program is restricted in certain countries either by patents or by copyrighted interfaces, the original copyright holder who places the Program under this License may add an explicit geographical distribution limitation excluding those countries, so that distribution is permitted only in or among countries not thus excluded. In such case, this License incorporates the limitation as if written in the body of this License.

9. The Free Software Foundation may publish revised and/or new versions of the General Public License from time to time. Such new versions will be similar in spirit to the present version, but may differ in detail to address new problems or concerns.

Each version is given a distinguishing version number. If the Program specifies a version number of this License which applies to it and "any later version", you have the option of following the terms and conditions either of that version or of any later version published by the Free Software Foundation. If the Program does not specify a version number of this License, you may choose any version ever published by the Free Software Foundation.

10. If you wish to incorporate parts of the Program into other free programs whose distribution conditions are different, write to the author to ask for permission. For software which is copyrighted by the Free Software Foundation, write to the Free Software Foundation; we sometimes make exceptions for this. Our decision will be guided by the two goals of preserving the free status of all derivatives of our free software and of promoting the sharing and reuse of software generally.

#### NO WARRANTY

11. BECAUSE THE PROGRAM IS LICENSED FREE OF CHARGE, THERE IS NO WARRANTY FOR THE PROGRAM, TO THE EXTENT PERMITTED BY APPLICABLE LAW. EXCEPT WHEN OTHERWISE STATED IN WRITING THE COPYRIGHT HOLDERS AND/OR OTHER PARTIES PROVIDE THE PROGRAM "AS IS" WITHOUT WARRANTY OF ANY KIND, EITHER EXPRESSED OR IMPLIED, INCLUDING, BUT NOT LIMITED TO, THE IMPLIED WARRANTIES OF MERCHANTABILITY AND FITNESS FOR A PARTICULAR PURPOSE. THE ENTIRE RISK AS TO THE QUALITY AND PERFORMANCE OF THE PROGRAM IS WITH YOU. SHOULD THE PROGRAM PROVE DEFECTIVE, YOU ASSUME THE COST OF ALL NECESSARY SERVICING, REPAIR OR CORRECTION.

12. IN NO EVENT UNLESS REQUIRED BY APPLICABLE LAW OR AGREED TO IN WRITING WILL ANY COPYRIGHT HOLDER, OR ANY OTHER PARTY WHO MAY MODIFY AND/OR REDISTRIBUTE THE PROGRAM AS PERMITTED ABOVE, BE LIABLE TO YOU FOR DAMAGES, INCLUDING ANY GENERAL, SPECIAL, INCIDENTAL OR CONSEQUENTIAL DAMAGES ARISING OUT OF THE USE OR INABILITY TO USE THE PROGRAM (INCLUDING BUT NOT LIMITED TO LOSS OF DATA OR DATA BEING RENDERED INACCURATE OR LOSSES SUSTAINED BY YOU OR THIRD PARTIES OR A FAILURE OF THE PROGRAM TO OPERATE WITH ANY OTHER PROGRAMS), EVEN IF SUCH HOLDER OR OTHER PARTY HAS BEEN ADVISED OF THE POSSIBILITY OF SUCH DAMAGES.

#### END OF TERMS AND CONDITIONS

#### How to Apply These Terms to Your New Programs

If you develop a new program, and you want it to be of the greatest possible use to the public, the best way to achieve this is to make it free software which everyone can redistribute and change under these terms.

To do so, attach the following notices to the program. It is safest to attach them to the start of each source file to most effectively convey the exclusion of warranty; and each file should have at least the "copyright" line and a pointer to where the full notice is found.

```
<one line to give the program's name and a brief idea of what it does.>
Copyright (C) <year> <name of author>
```

This program is free software; you can redistribute it and/or modify it under the terms of the GNU General Public License as published by the Free Software Foundation; either version 2 of the License, or (at your option) any later version.

This program is distributed in the hope that it will be useful, but WITHOUT ANY WARRANTY; without even the implied warranty of MERCHANTABILITY or FITNESS FOR A PARTICULAR PURPOSE. See the GNU General Public License for more details.

You should have received a copy of the GNU General Public License along with this program; if not, write to the Free Software Foundation, Inc., 51 Franklin Street, Fifth Floor, Boston, MA 02110-1301 USA.

Also add information on how to contact you by electronic and paper mail.

If the program is interactive, make it output a short notice like this when it starts in an interactive mode:

```
Gnomovision version 69, Copyright (C) year name of author Gnomovision comes with ABSOLUTELY NO
WARRANTY; for details type 'show w'. This is free software, and you are welcome to redistribute it under certain
conditions: type 'show c' for details.
```

The hypothetical commands 'show w' and 'show c' should show the appropriate parts of the General Public License. Of course, the commands you use may be called something other than 'show w' and 'show c'; they could even be mouse-clicks or menu items—whatever suits your program.

You should also get your employer (if you work as a programmer) or your school, if any, to sign a "copyright disclaimer" for the program, if necessary. Here is a sample; alter the names:

```
Yoodyne, Inc., hereby disclaims all copyright interest in the program 'Gnomovision' (which makes passes at
compilers) written by James Hacker.
```

```
<signature of Ty Coon>, 1 April 1989
Ty Coon, President of Vice
```

This General Public License does not permit incorporating your program into proprietary programs. If your program is a subroutine library, you may consider it more useful to permit linking proprietary applications with the library. If this is what you want to do, use the GNU Lesser General Public License instead of this License.



## Chère cliente, cher client,

Nous vous remercions d'avoir choisi ce plafonnier. Afin d'utiliser au mieux votre nouveau produit, veuillez lire attentivement ce mode d'emploi et respecter les consignes et astuces suivantes.



### NOTE :

Il s'agit ici uniquement d'instructions pour une mise en marche sécurisée. La notice détaillée est disponible sur <https://www.pearl.fr/support/notices>. Saisissez la référence de l'article dans le champ de recherche. **Afin d'utiliser votre produit de manière optimale, téléchargez le mode d'emploi complet avant la mise en marche.**

## Application recommandée

L'utilisation du produit requiert une application capable d'établir une connexion entre votre caméra et votre appareil mobile. Nous recommandons l'application gratuite **Smart Life**.

## Caractéristiques techniques

Alimentation	230 V AC / 50 Hz	
Puissance absorbée	18 / 24 / 36 W	
Classe d'efficacité énergétique	A	
Luminosité	1350 / 1920 / 2800 lm	
Luminosité variable	✓	
Température de couleur	2700 – 6500 K	
Réseau Internet sans fil	Norme	IEEE 802.11 a/b/g/n
	Fréquence radio	2412 – 2472 MHz
	Puissance d'émission	18 dBm
Classe de protection I		Câble relié à la terre
Dimensions (Ø x H)	NX6204	34 x 6,5 cm
	NX6205	39 x 6,5 cm
	NX6206	49 x 6,5 cm
Poids	NX6204	500 g
	NX6205	660 g
	NX6206	1100 g

## Variantes du produit

NX6204 : Plafonnier connecté CCT / 18 W / Ø 34 cm compatible Amazon Alexa & Google Assistant  
 NX6205 : Plafonnier connecté CCT / 24 W / Ø 39 cm compatible Amazon Alexa & Google Assistant  
 NX6206 : Plafonnier connecté CCT / 36 W / Ø 49 cm compatible Amazon Alexa & Google Assistant

## Contenu

- Plafonnier connecté
- Matériel de montage
- Guide de démarrage rapide

**Accessoires requis :** (disponibles séparément sur <https://www.pearl.fr>)

- Appareil mobile avec Android à partir de 4.1 / iOS à partir de 9
- Réseau 2,4 GHz



### NOTE :

L'appareil n'est pas conçu pour une utilisation en extérieur.



### Smart Life :

Scannez le code QR pour accéder à une vue d'ensemble des autres produits Smart Life.

## Montage

### NOTE :



Veuillez noter que le matériel fourni pour le montage mural peut ne pas correspondre au matériau de l'endroit où vous souhaitez fixer le support. Vous trouverez un matériel de fixation approprié dans une quincaillerie ou un magasin d'outillage, par exemple.



### ATTENTION !

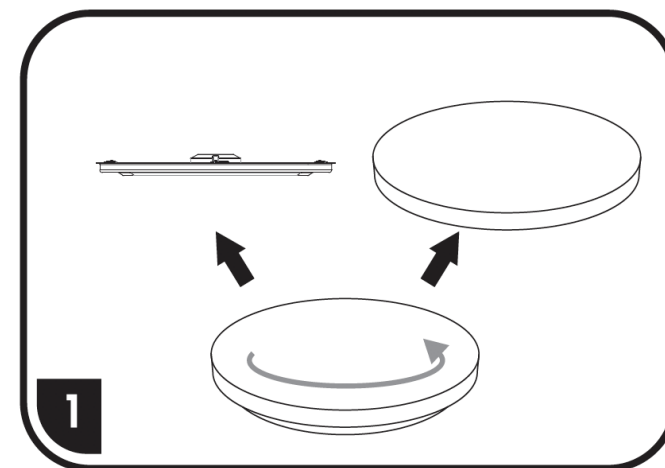
**Coupez l'alimentation électrique avant de commencer le montage.**



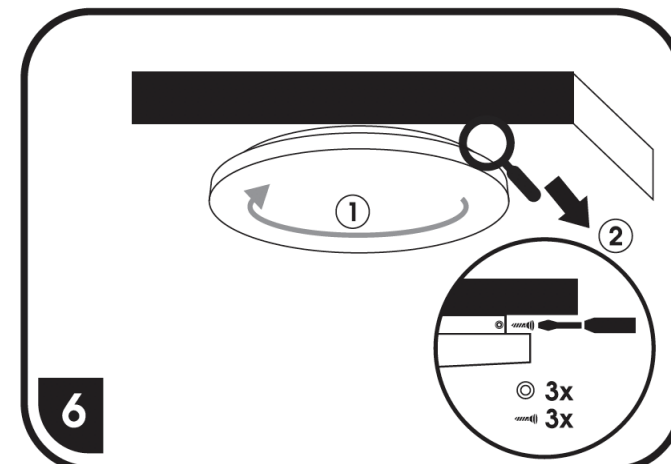
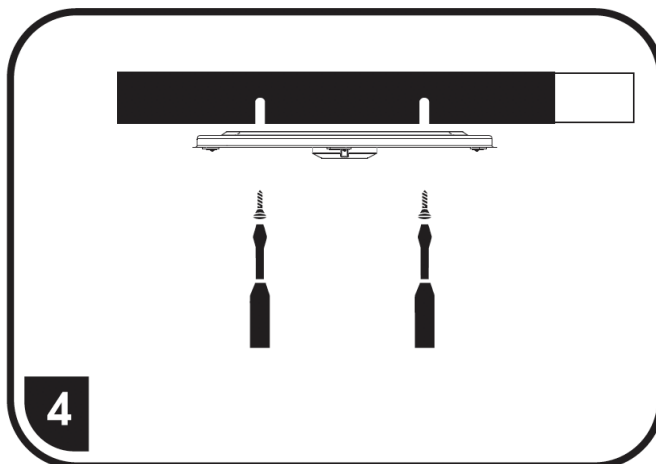
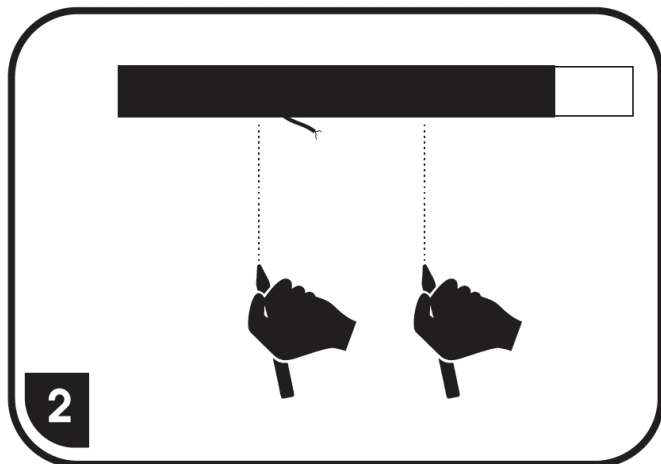
### NOTE :

Si vous n'avez aucune expérience dans les travaux de montage, faites effectuer le montage par un spécialiste.

1. Tournez le culot de la lampe dans le sens inverse des aiguilles d'une montre et retirez-le de la plaque LED.



2. Marquez les trois trous à percer aux endroits souhaités. Utilisez la plaque LED comme gabarit.

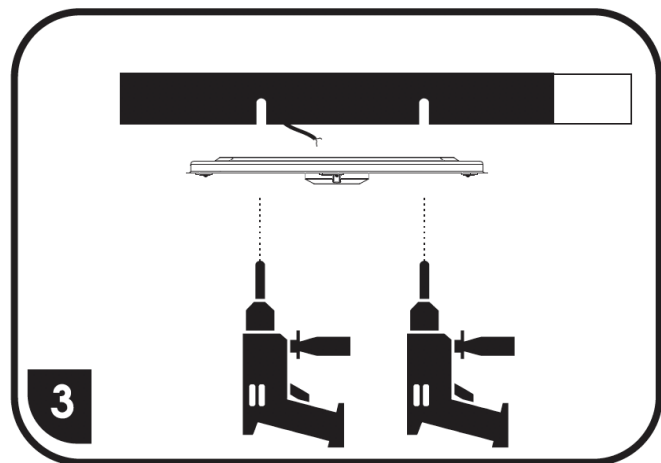


**ATTENTION !**

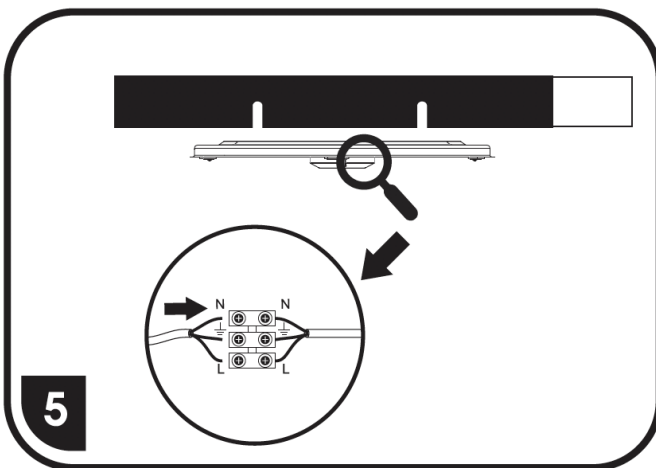


**Assurez-vous qu'aucun câble ou conduit ne passe à l'endroit où vous avez choisi de percer. Cela pourrait causer des blessures physiques et / ou des dommages matériels.**

3. Percez des trous aux endroits marqués. Enfoncez ensuite les chevilles dans les trous percés.



5. Branchez les câbles comme indiqué sur l'illustration.



6. Placez le culot de la lampe sur la plaque LED et vissez dans le sens des aiguilles d'une montre. Vissez-le fermement.

4. Faites passer les câbles d'alimentation par l'ouverture appropriée dans la plaque LED. Visser ensuite fermement la plaque LED.

### Consignes de sécurité

- Pour connaître les conditions de garantie, veuillez contacter votre revendeur. Veuillez également tenir compte des conditions générales de vente !
- Veuillez à utiliser le produit uniquement comme indiqué dans la notice. Une mauvaise utilisation peut endommager le produit ou son environnement.
- Lisez attentivement le mode d'emploi. Il contient des informations essentielles concernant l'utilisation, la sécurité et l'entretien du produit.
- Conservez soigneusement ce mode d'emploi, et transmettez-le à l'utilisateur suivant.
- N'utilisez pas l'appareil à d'autres fins que celle pour laquelle il est conçu.
- Respectez les consignes de sécurité pendant l'utilisation.
- Vérifiez le bon état de l'appareil, de ses câbles et de ses accessoires avant chaque utilisation.
- N'utilisez pas l'appareil s'il présente des dommages visibles.
- Vérifiez que la tension secteur indiquée sur la plaque signalétique correspond à celle de votre alimentation secteur.
- Cet appareil est conçu pour un usage domestique ou autre usage similaire uniquement. Il ne doit pas être employé à des fins publicitaires.
- Cet appareil est conçu pour une utilisation en intérieur uniquement.
- N'utilisez jamais l'appareil s'il présente un dysfonctionnement, s'il a été plongé dans l'eau, s'il est tombé ou a été endommagé d'une autre manière.
- Surveillez les enfants pour vous assurer qu'ils ne jouent pas avec l'appareil.
- Cet appareil n'est pas conçu pour être utilisé par des personnes (y compris les enfants) dont les capacités physiques, sensorielles ou mentales sont réduites, ou des personnes dénuées d'expérience ou de connaissance, sauf si elles ont pu bénéficier, par l'intermédiaire d'une personne responsable de leur sécurité, d'une surveillance ou d'instructions préalables concernant l'utilisation de l'appareil.

- Si le câble d'alimentation est endommagé, il doit être remplacé par le fabricant, son service après-vente ou des personnes de qualification similaire afin d'éviter tout danger. N'utilisez pas l'appareil tant que la réparation n'a pas été effectuée.
- Ne regardez jamais directement le rayon lumineux de la lampe. Ne pointez pas la lampe directement dans les yeux d'une personne ou un animal.
- Le démontage ou la modification du produit affecte sa sécurité. Attention : risque de blessures !
- Toute modification ou réparation de l'appareil ou de ses accessoires doit être effectuée exclusivement par le fabricant ou par un spécialiste dûment autorisé.
- Aucune garantie ne pourra être appliquée en cas de mauvaise utilisation.
- Le fabricant décline toute responsabilité en cas de dégâts matériels ou dommages (physiques ou moraux) dus à une mauvaise utilisation et/ou au non-respect des consignes de sécurité.
- Sous réserve de modification et d'erreur !

### Consignes importantes pour le traitement des déchets

Cet appareil électronique ne doit PAS être jeté dans la poubelle de déchets ménagers. Pour l'enlèvement approprié des déchets, veuillez vous adresser aux points de ramassage publics de votre municipalité.

Les détails concernant l'emplacement d'un tel point de ramassage et des éventuelles restrictions de quantité existantes par jour/mois/année, ainsi que sur des frais éventuels de collecte, sont disponibles dans votre municipalité.

### Déclaration de conformité

La société PEARL.GmbH déclare ces produits NX-6204, NX-6205 et NX-6206 conformes aux directives actuelles suivantes du Parlement Européen : 2009/125/CE (du Parlement européen et du Conseil), établissant un cadre pour la fixation d'exigences en matière d'écoconception applicables aux produits liés à l'énergie, 2011/65/UE, relative à la limitation de l'utilisation de certaines substances dangereuses dans les équipements électriques et électroniques, 2014/35/UE, concernant la mise à disposition sur le marché du matériel électrique destiné à être employé dans certaines limites de tension, et 2014/53/UE, concernant la mise à disposition sur le marché d'équipements radioélectriques.

*Kurtasz, A.*

Service Qualité

Dipl. Ing. (FH) Andreas Kurtasz

La déclaration de conformité complète du produit est disponible en téléchargement à l'adresse <https://www.pearl.fr/support/notices> ou sur simple demande par courriel à [qualite@pearl.fr](mailto:qualite@pearl.fr).

### Contrat de licence de logiciel libre

Contrat de licence logiciel libre

Ce produit contient un logiciel distribué entièrement ou partiellement sous licence publique générale GNU, Version 2 (GPL). Puisqu'il s'agit d'un logiciel libre de droits, ses développeurs déclinent toute responsabilité en cas de dégâts ou dommages (physiques ou moraux) dus à une mauvaise utilisation. Veuillez noter que la garantie du matériel n'est bien entendu pas concernée.

L'intégralité du contrat de licence logiciel libre du produit est disponible en téléchargement à l'adresse <https://www.pearl.fr/support/notices>. Si vous avez des questions, n'hésitez pas à nous contacter. Pour cela, rendez-vous sur <https://www.pearl.fr>.